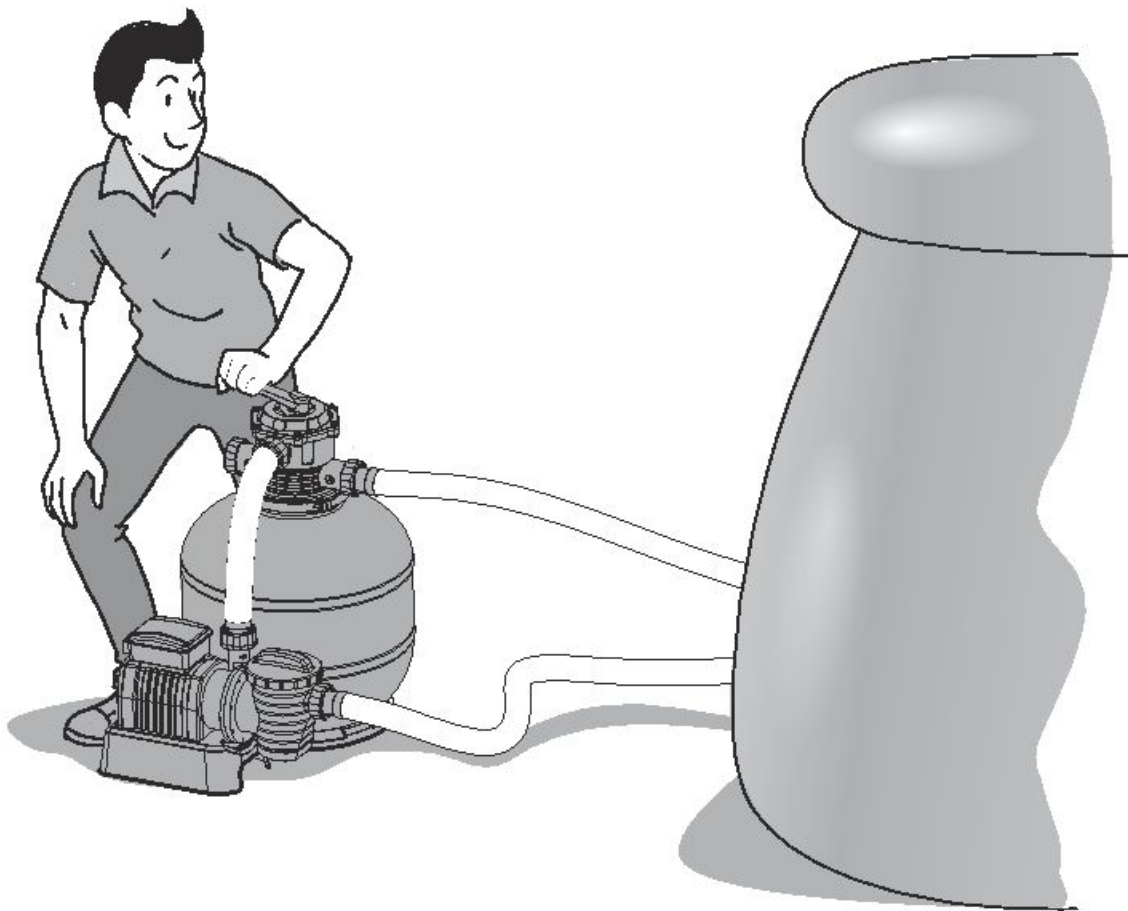


Bestway.

#58366

Hmax 1.5m Hmin 0.19m IPX5



FLOWCLEAR™ Sand Filter OWNER'S MANUAL

www.bestway-global.com
www.bestway-service.com



WARNING

IMPORTANT SAFETY INSTRUCTIONS - READ AND FOLLOW ALL SAFETY INSTRUCTIONS - SAVE THESE INSTRUCTIONS

When installing and using this electrical equipment, basic safety precautions should always be followed, including the following:

- The pump is to be supplied by an isolating transformer or supplied through a residual current device (RCD) having a rated residual operating current not exceeding 30 mA.
- The power source on the wall of building should keep more than 4m away from pool and at a height of 1.2m at least.
- The appliance must be supplied by earthed power source.
- **RISK OF ELECTRIC SHOCK** - The pump cannot be using while people are inside the pool. Forbid the access of the pool in case of damage of the sand filter.
- **DO NOT BURY CORD.** Locate cord to minimize abuse from lawn mowers, hedge trimmers, and other equipment.
- To reduce the risk of electric shock, replace damaged cord immediately.
- If the supply cord is damaged, it must be replaced by the manufacturer, its service agent or similarly qualified persons in order to avoid a hazard.
- Extension cords can't be used.
- Risk of electric shock. Using the sand filter with an unmatched electrical supply is dangerous and will permanently damage the sand filter.
- Do not remove the grounding prong or modify the plug in anyway. Do not use adaptor plugs. Consult a qualified electrician for any questions relating to validity of your plugs or grounding.
- Handle the sand filter with care. Do not pull or carry the sand filter by the power cord. Never pull a plug from the outlet by yanking the power cord. Keep cord free from abrasions. Sharp objects, oil, moving parts, and heat should never be exposed to the sand filter.
- Always unplug this product from the electrical outlet before removing, cleaning, servicing or making any adjustment to the product.
- Don't plug or unplug the appliance if hand is wet.
- Always unplug the appliance:
 - On raining days
 - Before cleaning or other maintenance
 - Leave it unattended on holidays
- When the appliance will be not used for long time, such as in the winter, the pool set should be disassembled and stored indoor.
- **CAUTION:** Read the instruction before using the appliance and installation/reassembly every time.
- Safekeeping the instruction. For reconstruction the pool set every time, please always refer to the instructions.
- If instruction is missed, please contact with Bestway or search it in website: www.bestway-service.com
- Electric installations should follow national wiring rules. Consult a qualified electrician for any questions.
- **CAUTION:** This sand filter is for use with storable pools only. Do not use with permanently-installed pools. A storable pool is constructed so that it is capable of being readily disassembled for storage and reassembled to its original integrity. A permanently-installed pool is constructed in or on the ground or in a building such that it cannot be readily disassembled for storage.
- This appliance can be used by children aged from 8 years and above and persons with reduced physical, sensory or mental capabilities or lack of experience and knowledge if they have been given supervision or instruction concerning use of the appliance in a safe way and understand the hazards involved. Children shall not play with the appliance. Cleaning and user maintenance shall not be made by children without supervision. (For EU market)
- This appliance is not intended for use by persons (including children) with reduced physical, sensory or mental capabilities, or lack of experience and knowledge, unless they have been given supervision or instruction concerning use of the appliance by a person responsible for their safety. Children should be supervised to ensure that they do not play with the appliance. (For market other than EU)

- Cleaning and user maintenance must be performed by an adult above 18 years old who is familiar with the risk of electric shock.

NOTES:

- Place the sand filter on solid, level ground. Ensure the sand filter is at least 2 meters away from poolside. Keep distance as far as possible.
- Pay attention to position pool and sand filter so adequate ventilation, drainage, and access for maintenance is available. Never place the sand filter in an area that may accumulate water, or on a walking path with lots of foot traffic.
- It is necessary to have the plug accessible after installation of the pool. The plug of the sand filter shall be at least 3.5m away from the pool.
- Atmospheric conditions may affect the performance and life span of the sand filter; take adequate precautions to protect the sand filter from unnecessary wear and tear that may occur during periods of cold or hot weather and/or exposure to sun.
- Please examine and verify all sand filter components are present before use. Notify Bestway at the customer service address listed on this manual for any damaged or missing parts at the time of purchase.
- It is imperative to change as soon as possible all deteriorated parts. Only use parts approved by the manufacturer.
- Do not allow children or adults to lean or sit on the apparatus.
- Do not add chemicals to the sand filter.
- When chemical products are used to clean the pool water, it is recommended to respect a minimum filtration time to preserve the health of swimmers which depends on compliance of health regulation.
- Only the media provided or specified by the manufacturer is to be used with product installation.
- It is essential to check that the suction openings are not obstructed.
- It is advisable to stop the filtration during maintenance operations on the filtration system.
- Regularly monitor the filter clogging level.
- A weekly check is recommended for backwashing or cleaning. Minimum daily filtration operating time of 8 hours is recommended to ensure clear pool water.
- It is essential to change any damaged element or set of elements as soon as possible. Use only parts approved by person responsible for placing the product on the market.
- All filters and filter media shall be inspected regularly to ensure that there is not a build-up of detritus thus preventing good filtration. The disposal of any used filter media should also be in accordance with applicable regulations/legislation.
- Mind all the safety requirements and recommendations described in the manual. In case of doubt on the pump or any circulation devices, contact a qualified installer, or the manufacturer/importer/distributor. The water circulation installation shall comply with the European as well as national/local regulations, especially when dealing with electrical issues. Any change of valve position, pump size, grille size can cause a change of the flow and the suction velocity can be increased.
- This product is not intended for commercial use.

Please read the instruction manual carefully and keep it for future reference.

SAVE THESE INSTRUCTIONS

PUMP DISPOSAL



Meaning of crossed-out wheeled dustbin:

Do not dispose of electrical appliances as unsorted municipal waste, use separate collection facilities.

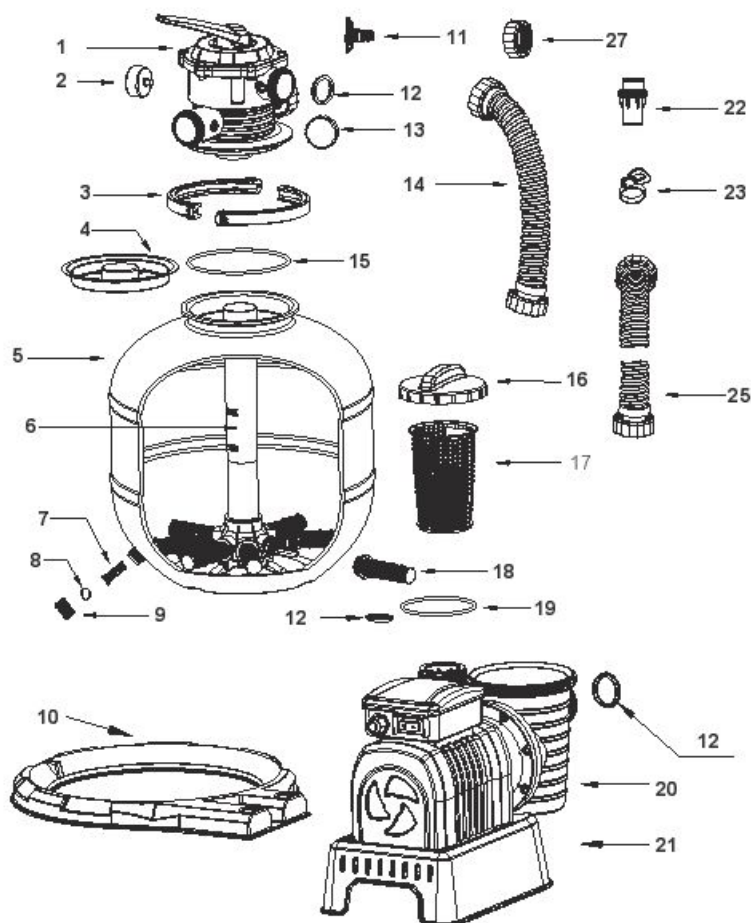
Contact your local government for information regarding the collection systems available.

If electrical appliances are disposed of in landfills or dumps, hazardous substances can leak into the groundwater and get into the food chain, damage your health and well-being.

When replacing old appliances with new ones, the retailer is legally obligated to take back your old appliance for disposals at least free of charge.

PARTS REFERENCE OVERVIEW

Before assembling the sand filter, take a few minutes to become familiar with all the sand filter parts.

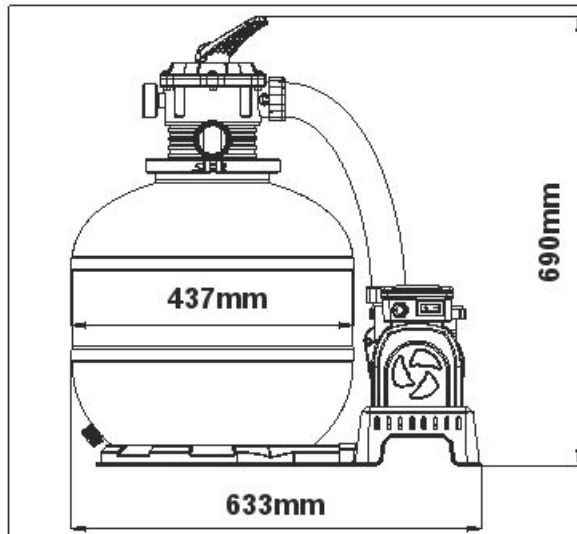


REF.NO.	DESCRIPTION	QTY.	SPARE PART NO.
1	Control Valve	1	P61204
2	Pressure Gauge	1	P61138
3	Flaxnge Clamp	2	P61205
4	Hub Cover	1	P61209
5	Tank	1	P61213
6	Hub	1	P61206
7	Pollution cartridgea	1	P61211
8	Drain Washer	1	P6581
9	Drain Valve Cap	1	P6580
10	Tank base	1	P61212
11	Garden Hose Adaptor	1	P6614
12	Washer	5	P6029
13	Port D Cap	1	P6540
14	Piping	1	P6560
15	O-ring	1	P61214
16	Strainer Cover	1	P6561
17	Strainer	1	P6562
18	Filter cartridge	8	P61210
19	Seal Ring	1	P6563
20	Pump	1	P61207
21	Pump(For UK only)	1	P61207GB
22	Adaptor	2	P6916
23	Hose Clamps	2	P6124
27	Adaptor Nut	1	P6615

Optional parts

25	Hose (Φ38mm 3M)	2	P6028
26	Debris Screen	1	P61322
	Debris Screen	1	P61318

SPECIFICATIONS



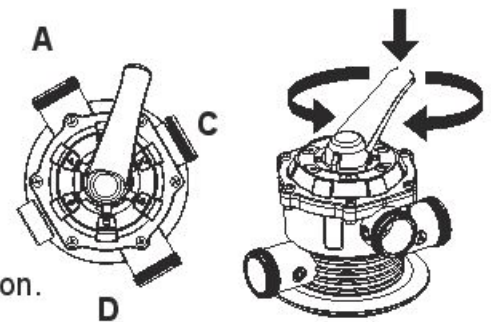
Filter Diameter:	437mm
Effective Filter Area:	0.150m ² (1.61ft ²)
Max. Operating Pressure:	1.58Bar (23PSI)
Working sand filter pressure:	<0.56Bar (8PSI)
Max. Water Temperature:	35°C
Sand:	Not included
Sand Size:	#20 silica sand, 0.45-0.85mm
Sand Capacity:	Approximately 35kg

CONTROL VALVE OVERVIEW

WARNING: To prevent equipment damage and possible injury, always switch off sand filter before changing the Control Valve function. Changing valve positions while the pump is running can damage the Control Valve, which may cause personal injury or property damage.






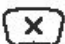
How to Use the Control Valve

Press down on the Control Valve handle and rotate to desired function.



CONTROL VALVE FUNCTIONS

The Control valve is used to select 6 different filter functions: Filter, Rinse, Circulate, Backwash, Closed and Drain.

-  **Filter:** This function is used to filter pool water and should be positioned here 99% of the time. Water is pumped through the sand filter, where it is cleaned and returned to the pool.
-  **Circulate:** This function circulates pool water bypassing the sand filter; use this function if the filter is broken to collect debris in the Debris Screens.
-  **Backwash:** This function is used to clean the sand bed; water is pumped down through the Collector Hub, upwards through the sand bed, and deposited out of Port D.
-  **Drain:** This function drains water from the pool; another filter bypass setting, water is pumped and deposited out of Port D, instead of returning it to the pool.
-  **Rinse:** This function for initial startup, cleaning, and sand bed leveling after Backwash; water is pumped downwards through the sand bed, up through the Collector Hub and deposited out of the valve Port D.
-  **Closed:** This function stops water flowing between the sand filter and the pool.

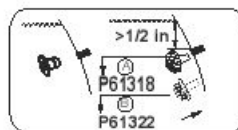
NOTE:

- Be sure all provisions for wastewater disposal meet applicable local, state or national codes. Do not discharge water where it will cause flooding or damage.
- When the Control Valve is set to the Backwash, Rinse, or Drain position, water will discharge from Port D on the Control Valve.
- Do not switch on or operate the sand filter with the Control Valve set to the Closed function or it will seriously damage the sand filter.
- Do not set the Control Valve between two functions, or it will lead to leaking.
- To avoid water leakage, screw the Port D Cap onto the Control Valve Port D before operating the sand filter.

HOSE ADAPTOR FUNCTIONS



22



1.2 inch <

23

Pool with Valves ($\Phi 3.2\text{cm}$)

- 1) Connect the Adaptors (22) to the Hose.
- 2) Attach the Hoses to the corresponding letters on the pool.
- 3) Attach the Hoses to the Sand filter by pressing the hose fitting on the pump port. Screw the threaded locking rings into position; ensure the corresponding letters on both the pool and the Sand filter match (A to A, B to B).
- 4) Remove the Stopper Plugs from the pool's inlet and outlet valves and insert with the Debris Screens (26).
- 5) With the Hoses and Debris Screens (26) in position, tighten the Hose Clamps (23).

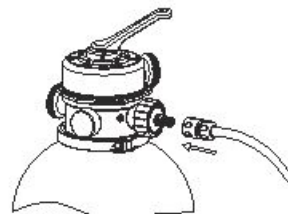
GARDEN HOSE ADAPTOR FUNCTIONS



1



2



3

1. Assemble the garden hose adaptor(11).
2. Screw the garden hose adaptor(11) onto port D of the sand filter.
3. Attach garden hose to the garden hose adaptor(11)

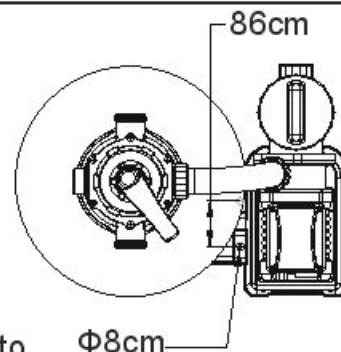
NOTE:

1. Garden hose adaptor(11) can be used for draining your pool and can only be assembled to port D of the sand filter.
2. Always switch off and unplug the sand filter before assembling the garden hose adaptor(11), and set the control valve to Closed position.
3. Ensure the washer is in position before assembling the garden hose adaptor(11).

Section I: Assembly (You will need a Phillips screwdriver.)

1. Carefully remove all components from the package and check to ensure nothing is damaged. If equipment is damaged, immediately notify the retailer from where the equipment was purchased.
2. The sand filter should be placed on solid, level ground, preferably a concrete slab. Position the sand filter so the Ports and Control Valve are accessible for operation, servicing and winterizing.
3. EN60335-2-41 TEST standard requires the sand filter must be vertically fixed on ground or a certain pedestal made of wood or concrete before use to prevent the sand filter from accidental falling.

Fully assembled sand filter will exceed 18kg. The mounting holes should be 8mm in diameter and spaced 86mm apart. Use two bolts and nuts with a maximum of 8mm in diameter to fasten the sand filter to the pedestal.



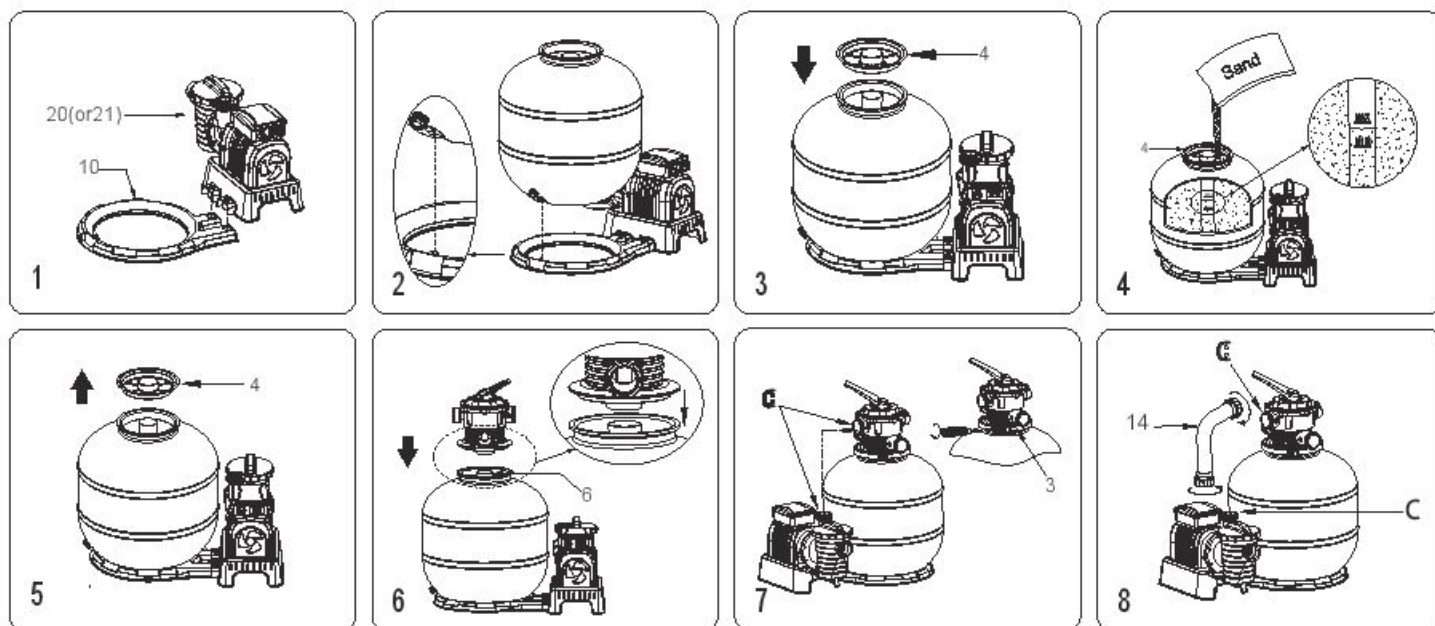
Load pool-grade filter sand.

NOTE: Use only special pool-grade filter sand, free of all limestone or clay: #20 Silica sand 0.45-0.85mm, approximately one 35kg bag should suffice.

If you do not use the recommended size of filter sand, filtering performance will be reduced and the sand filter may be damaged, thereby voiding the warranty.

NOTE: To avoid damaging the Skimmer when adding sand, pour some water into the Bottom Tank to submerge the Skimmer on the Hub.

NOTE: SAND NOT INCLUDED.



1. Place the tank base in the right place, aligning the position hole.
2. Place the tank onto the right place of tank base.
3. Place the filter cover(4).
4. Slowly add the sand so the weight of the sand does not damage the Skimmer on the Hub, until it reaches between the marked "MAX" and "MIN". #20 Silica sand 0.45-0.85mm, approximately 35 kg.
5. Pull out the filter cover(4).
6. Lower the control valve over the tank slowly, and ensure the bypass pipe protruding underneath the control valve fits securely into the hub(6).
7. Make sure Port C on the Control Valve is align Port C on the Pump. Attach the Top Flange Clamp(3) and screw into position.
8. Attach the Piping(14) to Pump Port C and to Control Valve Port C, screw the threaded locking rings into position. Make sure the Washer is properly positioned on both ends of the Piping(14).

Section II: Hose Configuration for Backwashing and Rinsing

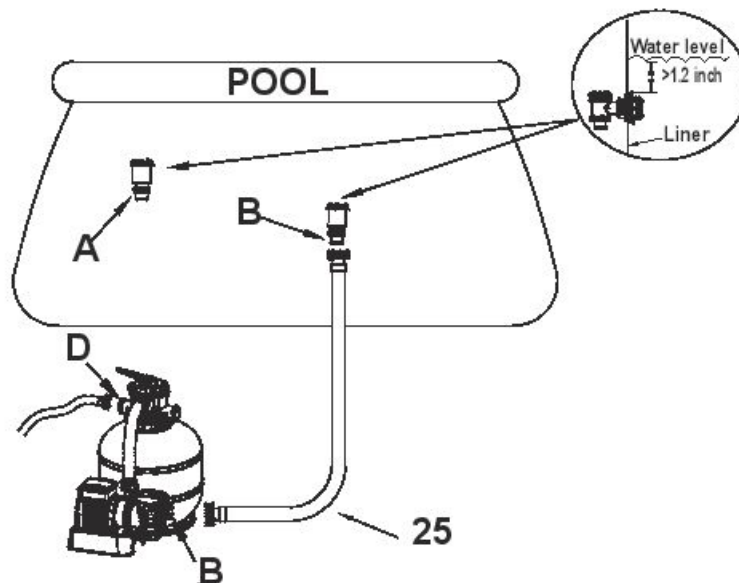
NOTE: Ensure the Control Valve is set to the Closed function.

Your pool should be filled with water, make certain all of the pool's Debris Screens are fully submerged in water.

1. Attach one Hose(25) to the sand filter's Port B; screw the threaded locking ring into position.
2. Screw the other end of the Hose(25) to Port B connection valve; screw the threaded locking ring into position.
3. Open the connection valve

NOTE: You can refer to pool manual for connection valve's installation instructions.

4. Screw the other Hose(25) to Port D and place the opposite end in drain area.



Section III: Backwash and Rinsing

Backwash and Rinsing must be performed to prepare the pump for its first use and to wash the sand.

CAUTION: DO NOT DRY RUN THE SAND FILTER

1. Press down on the Control Valve handle and rotate to the Backwash function.
2. Insert the plug into a residual current device, and run the sand filter for 3-5 minutes, or until the water runs clear.
3. Switch off the sand filter and set the Control Valve to the Rinse function.
4. Switch on the sand filter and run the sand filter for 1 min. This circulates water backwards through the sand filter and drains water out Port D.
5. Switch off the sand filter. Set the Control Valve to the Closed function.
6. Top up pool water.

IMPORTANT: This procedure removes water from the pool, which you'll need to replace. Switch off the sand filter immediately if water levels near the pool's Inlet and Outlet valves.

DO NOT DRY RUN THE SAND FILTER.

Section IV: Complete Sand Filter Installation

Connect the Second Hose

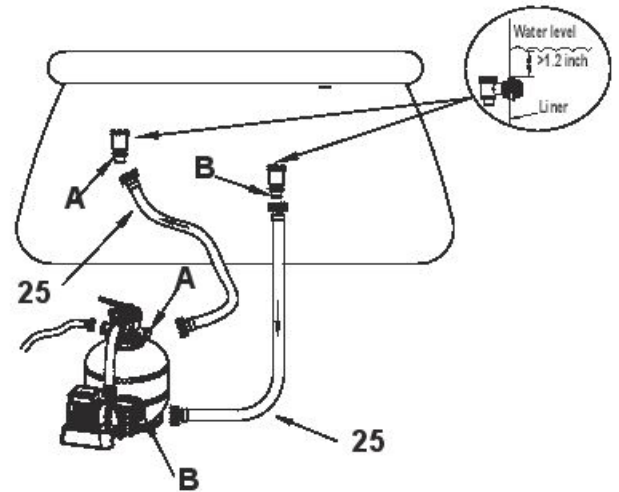
NOTE: It is imperative to check that the hydraulic connectors are not closed.

NOTE: Ensure the Control Valve is set to the Closed function.

Assembly

1. Detach the Hose(25) from Port D.
2. Attach the Hose(25) to the Control Valve's Port A; screw the threaded locking ring to position.
3. Connect the other end of Hose (25) to the pool's Inlet A
4. Open the connection valve.

NOTE: You can refer to pool manual for connection valve's installation instructions.



Section V: Sand Filter Operation

1. Now the sand filter is ready for use. Set the Control Valve to the Filter function.

NOTE: To prevent the risk of electrical shock dry any excess water from yourself and the sand filter.

IMPORTANT: Before operation, make sure the tank is placed steadily on its base and connected correctly to the pump.

2. Switch on the sand filter to run it.

NOTE: The sand filter has now started its filtering cycle. Check that water is returning to the pool and take note of the filter pressure on Pressure Gauge.

Generally, the recommended sand filter pressure is less than 0.56Bar (8.0PSI) when it is running.



Sand Filter Maintenance

CAUTION: You must ensure the sand filter is switched off and unplugged before any maintenance begins or severe risk of injury or death exists. As dirt builds up in the sand filter, the pressure reading on Pressure Gauge will increase. When the Pressure Gauge is 0.56Bar (8.0PSI) or higher, or water flow to the pool is too low, it is time to clean the sand. To clean the sand bed, follow all instructions outlined previously in **Section II and Section III:**

Backwash and Rinsing.

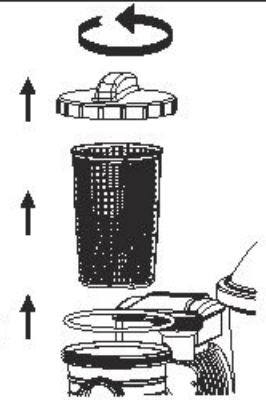


NOTE:

1. The Pressure Gauge is just used for measuring the water pressure, not used for precision measurement.
2. We recommend you clean the sand bed once a month or less regularly depending on how often the pool is used. Do not clean the sand too frequently.

Cleaning the Strainer

1. Switch off the sand filter and set the Control Valve to the Closed function.
2. Close the connection valves.
3. Remove the Strainer Cover by unscrewing it.
4. Take out the Strainer, remove any debris.
5. Put the Strainer back into position. Ensure the hole in the strainer is aligned.
6. Ensure the Seal Ring is in place. Secure the Strainer Cover back.
7. Open the connection valves.



NOTE: The Strainer must be emptied and cleaned periodically. A dirty or blocked strainer will reduce the performance of the sand filter.

Lowering or Draining Pool Water

1. Switch off the sand filter and set Control Valve to the Drain function.
2. Detach the Hose from the connection valve's Port A and sand filter Port A and attach to Port D.
3. Switch on the sand filter to remove pool water.

WARNING: DO NOT DRY RUN THE SAND FILTER.

Winterization and long-term storage

In areas that have freezing winter temperatures, pool equipment must be winterized to protect against damage. Allowing water to freeze will damage the sand filter and void warranty.

1. Backwash the sand filter as previously outlined in Section II and Section III.
2. Drain the pool according to the pool owner's manual.
3. Unscrew the drain valve cap at the bottom of the tank and release the remaining water.
4. Disconnect the two Hoses from the pool and the sand filter.
5. Completely spill the sand out of the tank and dry all components.
6. Move away sand filter from pool area, store the sand filter in a dry indoor location out of child's reach.

TROUBLESHOOTING

Problems	Probable Causes	Solutions
Sand is flowing to the pool	<ul style="list-style-type: none"> - Sand is too small - Move the control valve from the backwash to the filter function without stop the sand filter - The level of the sand is too high - The skimmer is broken 	<ul style="list-style-type: none"> - Recommend 0.45mm to 0.85mm #20 silica sand - Stop the sand filter everytime set the control valve - Check if the level of the sand is between the marked "MAX" and "MIN" on the collector hub - Replace the skimmer
No water flow	<ul style="list-style-type: none"> - Stopper plugs were not removed - The control valve is set to Closed - The strainer is blocked - Sand filter broken 	<ul style="list-style-type: none"> - Remove the stopper plugs and insert the debris screens - Set to filter function - Clean the strainer - Call for service
Excessive filter pressure	<ul style="list-style-type: none"> - Dirty filter - Calcified sand bed - Insufficient backwashing - The pressure gauge is broken 	<ul style="list-style-type: none"> - Backwash - Inspect sand and change if necessary - Backwash until water runs clear - Replace the pressure gauge
Control Valve leaks from the port D	<ul style="list-style-type: none"> - Control Valve is set between two functions - The gasket is broken 	<ul style="list-style-type: none"> - Set to one function - Replace the gasket
Connectors leak	<ul style="list-style-type: none"> - Washer of the connectors not in place - Washer of the connectors broken - Loose Hoses 	<ul style="list-style-type: none"> - Reposition the washer - Replace the washer - Tighten them

Limited BESTWAY® Manufacturer's Warranty

The product you have purchased comes with a limited warranty. Bestway® stands behind our quality guarantee and assures, through a replacement warranty, your product will be free from manufacturer's defects that result in leaks. The following provision is only valid within the European member states countries: The legal regulation of Directive 1999/44/EC will not be effected by this BESTWAY limited warranty.

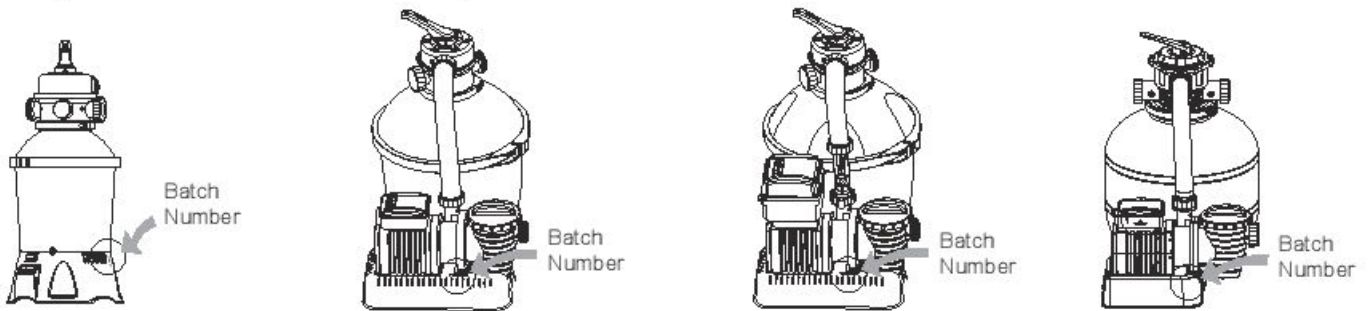
The limited warranty is valid: 1 year warranty for the sand filter from the date of purchase.

To enact a warranty claim, this form must be completed and submitted with a copy of your purchase receipt to your local Bestway After Sales Center. Please contact your local Bestway After Sales Center before sending any document, they will provide full instructions of what is needed for your claim. Bestway® will not replace any products deemed to have been damaged due to negligence or having been used outside of the owner's manual guidelines. Bestway's warranty covers manufacturing defects discovered while unpacking the product or during use as recommended within the user manual, this warranty applies only to product which have not been modified by any 3rd parties. The product must be stored and handled in accordance with the technical recommendations.

The warranty does not cover damages caused by misuse, abuse, neglect, including, but not limited to collision, fire, use of incorrect voltage, excessive heat exposure, improper installation, improper wiring or testing, or improper storage.

Replacements and repairs don't extend the duration of the warranty. The Limited Warranty is valid from the period indicated above and the date to be considered as the start of the warranty is only the one shown in the original receipt/purchase invoice.

Please copy the Batch Number located on the body of the sand filter.



Batch Number: _____ Date of purchase receipt: _____

TO: BESTWAY® SERVICE DEPARTMENT DATE: _____ Customer Code Number: _____

FAX/E-MAIL/TEL: Please refer to your country according to the information you find on the back cover or on our website: www.bestway-service.com

Please provide your address details in full. Note: Incomplete address details will result in delayed shipments.

Bestway reserves the right to charge for redelivery of undelivered packages where the recipient is at fault.

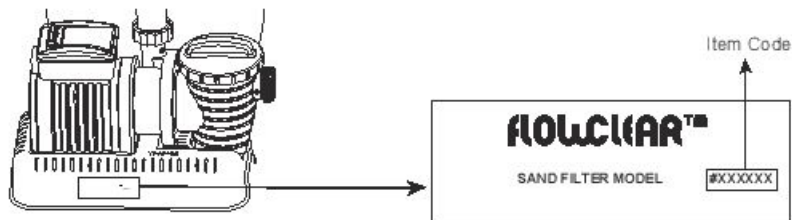
REQUIRED INFORMATION -- PLEASE WRITE THE DELIVERY ADDRESS

Name: _____ Address: _____ Zip code: _____

Country: _____ City: _____ Mobile: _____

Telephone: _____ Fax: _____ E-mail: _____

Retailer: _____ Please Clearly Write Your Item Code: _____



All drawings for illustration purpose only. Not to scale.

Description of problem

- Water leaking
- Stopped working
- Item is incomplete, Which part is missing – Please put the code you find on the instruction manual _____
- Others, please describe _____

IMPORTANT: ONLY THE DAMAGED PART WILL BE REPLACED, NOT THE COMPLETE SET.

Bestway reserves the right to request photographic evidence of defective parts, or to require the sending of the item for additional testing.

In order to best assist you, we request all information you provide is complete.

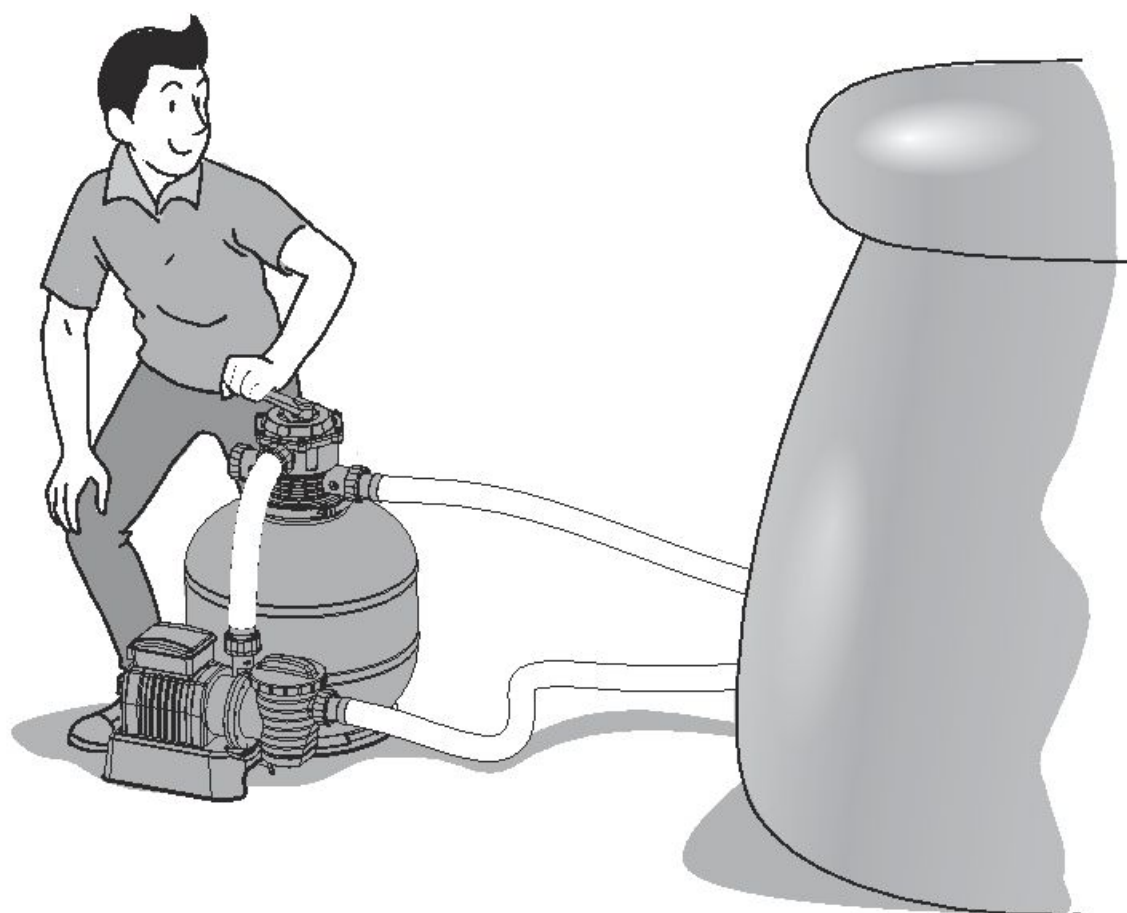
FOR FAQ, MANUALS, VIDEOS OR SPARE PARTS, PLEASE VISIT OUR WEBSITE WWW.BESTWAY-SERVICE.COM.
VIDEOS ARE ALSO AVAILABLE ON OUR BESTWAY CHANNEL ON YOU TUBE: <http://youtube.com/user/BestwayService>.



Bestway.

#58366

Hmax 1.5m Hmin 0.19m IPX5



FILTRO DE AREIA FLOWCLEAR™ MANUAL DO PROPRIETÁRIO

www.bestway-global.com
www.bestway-service.com



ATENÇÃO

INSTRUÇÕES DE SEGURANÇA IMPORTANTES LEIA E SIGA TODAS AS INSTRUÇÕES DE SEGURANÇA.

Ao instalar e usar este equipamento elétrico, as precauções básicas de segurança devem ser sempre seguidas, incluindo aquelas citadas a seguir:

- A bomba deve ser equipada com um transformador isolante ou alimentada através de um dispositivo de corrente residual (RCD) com uma tensão de funcionamento residual classificada que não exceda 30 mA.
- A fonte de alimentação de parede do edifício deve estar a mais de 4m afastada da piscina e a uma altura de pelo menos 1.2m.
- O equipamento deve ser equipado com uma fonte de alimentação com ligação a terra.
- **RISCO DE CHOQUE ELÉTRICO** - A bomba não pode ser utilizada enquanto estiverem pessoas no interior da piscina. Proíba o acesso à piscina caso o filtro de areia se encontre danificado.
- **NÃO ENTERRAR O FIO.** Coloque o fio de modo a evitar danos causados por cortadores de gramas, aparadores e outros equipamentos.
- Para reduzir o risco de choque elétrico, substitua imediatamente o fio danificado.
- Se o fio de alimentação estiver danificado, ele deve ser substituído pelo fabricante, pelo seu agente de serviço ou por pessoas igualmente qualificadas de modo a evitar um dano.
- É proibido o uso de extensões de alimentação.
- Risco de choque elétrico. Usando o filtro de areia em uma fonte elétrica não correspondente é perigoso e danificará permanentemente o filtro de areia.
- Não remova a ponta de aterramento ou modifique em qualquer modo a tomada. Não use adaptadores de tomadas. Consulte um electricista qualificado para quaisquer assuntos relacionados às tomadas ou aterramento.
- Manuseie o filtro de areia com cuidado. Não puxe ou carregue a bomba pela corda do fio de alimentação. Nunca desligue o fio da tomada dando um puxão na corda do fio de alimentação. Evite abrasões no fio de alimentação. O filtro de areia não deve ser exposto a objetos pontiagudos, óleo, peças em movimento e calor.
- Desligue sempre o produto da tomada de saída antes de remover, limpar, fazer manutenção ou fazer qualquer ajuste ao produto.
- Não ligue ou desligue o equipamento com as mãos molhadas
- Desligue sempre o equipamento:
 - em dias chuvosos
 - antes de limpar ou realizar outro tipo de manutenção
 - caso a deixe sem ser utilizada durante as férias
- Quando o aparelho não for utilizado durante um longo período de tempo, como no inverno, o conjunto de piscina deve ser desmontado e armazenado no interior.
- **Cuidado:** leia as instruções antes de utilizar o aparelho e a cada instalação/nova montagem.
- Instruções de armazenamento. Para reconstrução do conjunto de piscina em cada situação consulte sempre as instruções.
- Caso as instruções estejam em falta, por favor contacte a Bestway ou procure-o no website: www.bestway-service.com
- As instalações eléctricas devem seguir as regras nacionais de cablagem. Consulte um electricista qualificado para esclarecer qualquer dúvida.

AVISO: Esta bomba deve ser usada somente para piscina desmontáveis. Não a use com piscinas de alvenaria. Uma piscina armazenável é construída de modo que possa ser facilmente desmontada para armazenamento e montada novamente de maneira integral. Uma piscina com instalação permanente é construída em um terreno ou ao interno de um prédio, de modo que não pode ser desmontada para armazenamento.

- Este equipamento pode ser usado por crianças de 8 anos de idade e superior e pessoas com capacidades físicas, sensoriais ou mentais reduzidas ou falta de experiência e conhecimento caso estes recebam supervisão ou instrução sobre o uso do equipamento de forma segura e compreendam os riscos envolvidos. As crianças não devem brincar com o aparelho. A limpeza e manutenção por parte do utilizador não deve ser realizada por crianças sem supervisão. (Para o mercado UE)
- Este aparelho não está concebido para ser utilizado por pessoas (incluindo crianças) com capacidades físicas, sensoriais ou mentais reduzidas ou falta de experiência e conhecimento, salvo se providos de supervisão ou instrução referente ao uso do aparelho por uma pessoa responsável pela sua segurança. As crianças devem ser supervisionadas para garantir que não brincam com o aparelho. (Para o Mercado externo à UE)

- A limpeza e manutenção devem ser realizadas por um adulto com idade superior a 18 anos e que tenha consciência do risco de choque eléctrico.


NOTA:

- Coloque o filtro de areia em um apoio sólido e nivelado. Favor certificar-se que o filtro de areia está a pelo menos 2 metros afastado da piscina. Mantenha a distância, tanto quanto possível.
- Preste AVISO ao posicionar a piscina e o filtro de areia de modo a ter uma ventilação e drenagem adequadas e acesso disponível para a limpeza. Nunca coloque o filtro de areia em uma área que possa acumular água ou que os movimentos dentro da piscina faça com que a água transborde.
- É necessário ter a tomada acessível após a instalação da piscina. A tomada do filtro de areia deve estar a pelo menos 3,5m afastado da piscina.
- As condições atmosféricas podem afetar o desempenho e a vida útil do filtro de areia; tome precauções adequadas para proteger o filtro de areia do desgaste e usura desnecessários que podem ocorrer em períodos de frio ou calor e/ou exposição ao sol.
- Por favor examine e verifique todos se todos componentes estão presentes antes de usá-los. Notifique à Bestway, por meio dos endereços de assistência ao cliente aqui elencados neste manual, se houver peças danificadas ou faltando no momento da compra.
- É fundamental que todos os componentes deteriorados sejam substituídos o mais rápido possível. Utilize apenas componentes aprovados pelo fabricante.
- Não permite que crianças ou adultos se apoiem ou sentem no aparato.
- Não adicione produtos químicos ao filtro de areia.
- Quando forem utilizados produtos químicos para limpar a água da piscina, recomenda-se que respeite o tempo de filtração mínima, de acordo com as normas de saúde locais, para proteger a saúde dos utilizadores.
- Apenas os meios fornecidos ou especificados pelo fabricante devem ser utilizados na instalação do produto.
- É fundamental verificar se as aberturas de sucção não estão obstruídas.
- É aconselhável parar a filtração durante as operações de manutenção do sistema de filtração.
- Verifique regularmente o nível de entupimento do filtro.
- Recomenda-se uma verificação semanal para a retrolavagem e limpeza. Recomenda-se um período mínimo diário de filtração de 8 horas, para garantir água límpida na piscina.
- É fundamental substituir qualquer elemento ou conjunto de elementos danificados assim que possível. Utilize apenas componentes aprovados pela pessoa responsável pela colocação do produto no mercado.
- Todos os filtros e meios filtrantes devem ser inspeccionados regularmente para garantir que não existe acumulação de detritos que possam impedir uma boa filtração. A eliminação de qualquer meio filtrante usado deve estar também de acordo com os regulamentos/legislação aplicáveis. Preste atenção a todos os requisitos e recomendações de segurança descritos no manual.
- Em caso de dúvida relativamente à bomba ou qualquer dispositivo de circulação, contacte um instalador qualificado ou o fabricante/importador/distribuidor. A instalação de circulação de água deve respeitar os regulamentos Europeus, assim como os locais/nacionais, especialmente no referente a questões eléctricas. Qualquer alteração na posição da válvula, no tamanho da bomba e no tamanho da grelha pode provocar uma mudança do fluxo, e a velocidade de sucção pode aumentar.
- Este produto não é destinado para uso comercial.

Por favor leia cuidadosamente o manual de instruções e guarde para referência futura.

GUARDE ESTAS INSTRUÇÕES

DESCARTE

-  **Significado do cesto de lixo marcado com uma cruz:**
Não jogue as aparelhagens eléctricas no lixo normal que é recolhido, mas jogue-o em cestas de coleta apropriadas.

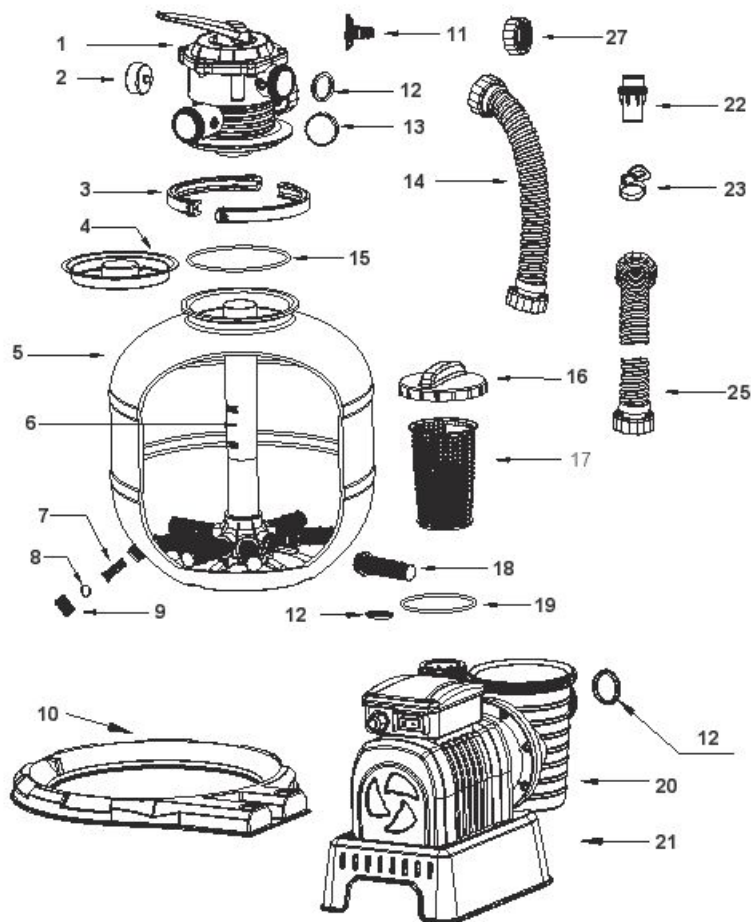
Contate o órgão governamental local para informações apropriadas no que diz respeito aos sistemas de coleta disponíveis.

Se as aparelhagens eléctricas forem jogadas em um depósito ou descargas, substâncias perigosas podem vazar para os lençóis freáticos e entrar na cadeia alimentar, causando problemas à sua saúde e bem estar.

Ao substituir antigas aparelhagens com novas, o revendedor é legalmente obrigado a retirar a velha aparelhagem para eliminação sem custo adicional.

VISÃO GERAL DE REFERÊNCIA DAS PEÇAS

Antes de montar o filtro de areia, gaste alguns minutos para se familiarizar bem com todas as peças do filtro de areia.

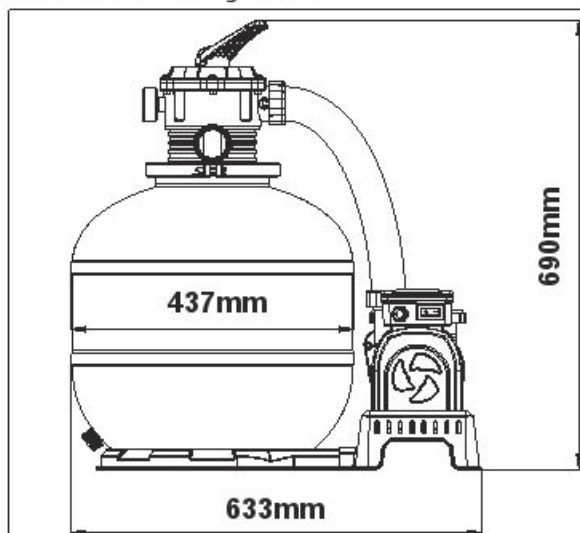


REF.NR.	DESCRIÇÃO	QUANT.	PEÇA SOBRESSALENTE NR
1	Válvula de Controlo	1	P61204
2	Manómetro de Pressão	1	P61138
3	Braçadeira da Flange	2	P61205
4	Tampa do Cubo	1	P61209
5	Tanque	1	P61213
6	Cubo	1	P61206
7	Cartucho de poluição	1	P61211
8	Anilha de Drenagem	1	P6581
9	Tampa da Válvula de Drenagem	1	P6580
10	Base do tanque	1	P61212
11	Adaptador para Mangueira de Jardim	1	P6614
12	Anilha	5	P6029
13	Tampa da Porta D	1	P6540
14	Tubagem	1	P6560
15	O-ring	1	P61214
16	Tampa do Filtro	1	P6561
17	Filtro	1	P6562
18	Cartucho do filtro	8	P61210
19	Anel Vedante	1	P6563
20	Bomba	1	P61207
21	Bomba (Para Reino Unido apenas)	1	P61207GB
22	Adaptador	2	P6916
23	Braçadeiras de Mangueira	2	P6124
27	Porca Adaptadora	1	P6615

Componentes Opcionais

25	Mangueira (Φ38mm 3M)	2	P6028
26	Filtro de Detritos	1	P61322
	Filtro de Detritos	1	P61318

ESPECIFICAÇÕES



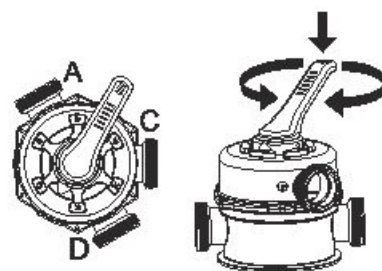
Diâmetro do filtro:	437mm
Área efetiva do filtro:	0.150m ² (1.61ft ²)
Máx. Pressão operacional:	1.58Bar (23PSI)
Pressão de funcionamento do filtro de areia:	<0.56Bar (8PSI)
Máx. Temperatura da água:	35°C
Areia:	Não incluída
Dimensão da Areia:	Areia sílica #20, 0.45-0.85mm
Capacidade da Areia:	Aproximadamente 35 kgg

VISÃO GERAL DA VÁLVULA DE CONTROLE

AVISO: Para evitar danos ao equipamento e possivelmente riscos, desligue sempre a bomba do filtro de areia antes de mudar a função da válvula de controle. Mudar as posições das válvulas enquanto a bomba estiver funcionando pode danificar a válvula de controle, o que pode causar danos pessoais ou danos à propriedade.







Como usar a válvula de controle

Pressione o manipulador da válvula de controle e gire na função desejada.



FUNÇÕES DA VÁLVULA DE CONTROLE

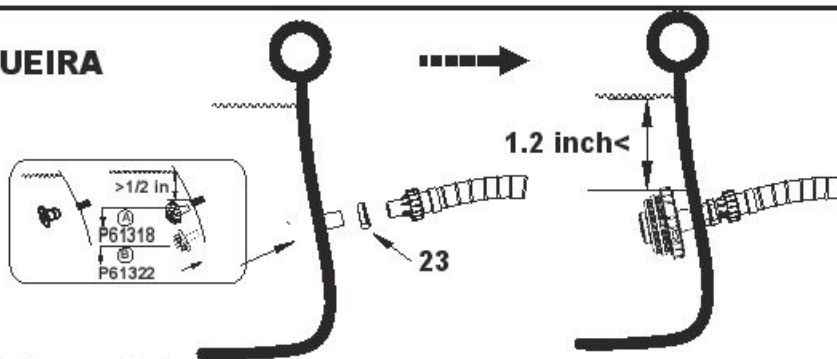
A válvula de controle é usada para selecionar 6 funções diferentes do filtro: Filtro, Enxágüe, Circulação, Retorno, Fechado e Drenagem.

-  **Filtragem:** Esta função é usada para filtrar a água da piscina e deve ser posicionada aqui 99% das vezes. A água é bombeada por meio do filtro de areia, onde é purificada e retorna para a piscina.
-  **Retorno:** Esta função é usada para limpar a camada de areia; a água é bombeada através do cubo de conexão, para cima, por meio da camada de areia e depositada fora da Porta D.
-  **Enxágüe:** Esta função para a partida inicial, limpeza e nivelamento da camada de areia após o retorno; a água é bombeada através do cubo de conexão, para baixo, por meio da camada de areia e depositada fora da Porta D.
-  **Circulação:** Esta função circula pela água da piscina passando pelo filtro de areia; use esta função se o filtro estiver quebrado para coletar detritos com a tela de detritos.
-  **Drenagem:** Esta função drena a água da piscina; um outro filtro de regulagem de passagem, a água é bombeada e depositada fora da Porta C ao invés de retornar para a piscina.
-  **Fechamento:** Esta função interrompe o fluxo de água entre o filtro de água e a piscina.

NOTA:

- Certifique-se que todas as provisões para o descarregamento da água respeitem as leis locais, estaduais e nacionais. Não descarregue a água onde possa causar entupimento ou danos.
- Quando a válvula de controle está regulada para retornar, enxaguar ou na posição de drenagem, a água descarregará da Porta D na válvula de controle.
- Não conecte ou opere o filtro de areia com a válvula de controle configurada na função fechada ou o filtro de areia pode ser seriamente danificado.
- Não deixe a válvula de controle entre duas funções, ou ela vazará.
- Afim de evitar o escapamento de água, parafusar o tampão da porta D na Porta D da válvula de controle antes de accionar a filtro de areia.

FUNÇÕES DO ADAPTADOR DE MANGUEIRA



Piscina com Válvulas ($\Phi 3,2\text{cm}$)

- 1) Ligue os Adaptadores (22) à Mangueira.
- 2) Prenda as Mangueiras às letras correspondentes na piscina.
- 3) Prenda as Mangueiras ao filtro de Areia, pressionando o encaixe da mangueira contra a porta da bomba. Aparafuse os anéis de bloqueio roscados na sua posição; certifique-se que as letras correspondem em ambos os filtros de Areia (A para A, B para B).
- 4) Remova os Tampões das válvulas de entrada e saída da piscina e insira com os Filtros de Detritos (26).
- 5) Com as Mangueiras e os Filtros de Detritos (26) em posição, aperte as Braçadeiras de Mangueira (23).

FUNÇÕES DO ADAPTADOR DE MANGUEIRA DE JARDIM



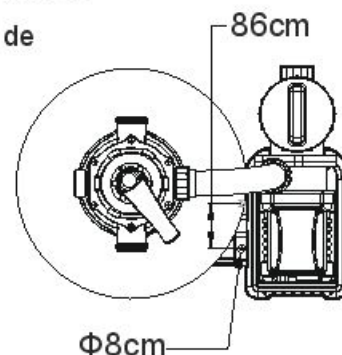
1. Monte o adaptador (11) de mangueira de jardim.
2. Aparafuse o adaptador (11) da mangueira de jardim na porta D do filtro de areia.
3. Prenda a mangueira de jardim no adaptador (11) de mangueira de jardim

NOTA:

1. O adaptador (11) de mangueira de jardim só pode ser usado para drenagem, e só pode ser montado na porta D do filtro de areia.
2. Desligue sempre e remova a ficha do filtro de areia antes de montar o adaptador (11) de mangueira de jardim, e configure a válvula de controlo para a posição Fechada.
3. Certifique-se que a anilha está na sua posição antes de montar o adaptador (11) de mangueira de jardim.

Seção I: Montagem (Você precisará de uma chave de fenda Phillips.)

1. Remova cuidadosamente todos os componentes da embalagem e verifique que cada tenha sido danificado. Se o equipamento estiver danificado, notifique imediatamente o revendedor do estabelecimento onde o equipamento foi comprado.
2. O filtro de areia deve ser colocado em um lugar sólido, nivelado e de preferência em uma base de concreto. Posicione o filtro de areia de modo que as portas e a válvula de controlo estejam acessíveis para a operação, manutenção e adaptação para o inverno.
3. O padrão de TESTE EN60335-2-41 exige que o filtro de areia seja fixado verticalmente no chão, ou em um pedestal feito de madeira ou concreto, antes do uso, para evitar uma queda acidental do filtro de areia. Totalmente montado o filtro de areia tem mais de 18kg. Os orifícios de montagem devem ser de 8mm de diâmetros e com espaços de 86mm. Use dois parafusos e porcas com um máximo de 8mm de diâmetro para apertar o filtro de areia no pedestal.

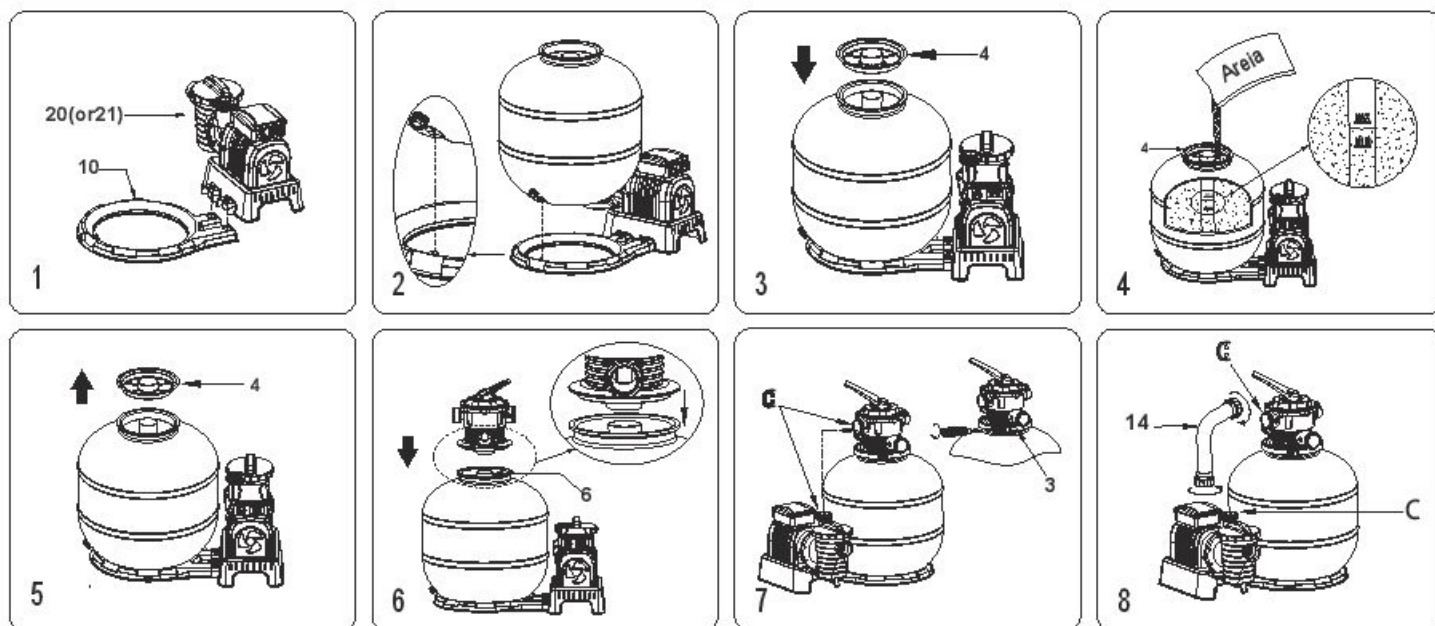


Carregue o filtro de areia pool-grade.

NOTA: Use somente areia para filtros especiais para piscinas, sem calcário ou argila: #20 areia sílica 0.45- 0.85mm, aproximadamente um saco de 35kg será suficiente. Se não utilizar o tamanho recomendado de filtro de areia, o desempenho de filtragem será reduzido e o filtro de areia pode ficar danificado, invalidando, portanto, a garantia.

NOTA: Para evitar danificar a escumagem ao adicionar a areia, coloque um pouco de água dentro do tanque inferior de modo a cobrir a escumagem no cubo do coletor.

NOTA: AREIA NÃO INCLUÍDA.



1. Coloque a base do tanque no local certo, alinhando o orifício de posição.
2. Coloque o tanque sobre o local certo da base do tanque.
3. Coloque a tampa do filtro (4).
4. Adicione lentamente a areia de forma a que o peso da areia não danifique o Skimmer no Cubo, até atingir a altura entre as marcações "MAX" e "MIN". #20 Areia de sílica 0,45-0,85mm, aproximadamente 35 kg.
5. Remova a tampa do filtro (4).
6. Baixe a válvula de controlo sobre o tanque lentamente e certifique-se que o tubo de derivação que sobressai por baixo da válvula de controlo se ajusta em segurança no cubo (6).
7. Certifique-se que a Porta C na Válvula de Controlo está alinhada com a Porta C na Bomba. Prenda a Braçadeira Superior da Flange(3) e aparafuse na sua posição.
8. Prenda a Tubagem(14) à Porta C da Bomba e à Porta C da Válvula de Controlo, e aparafuse os anéis de bloqueio roscados na sua posição. Certifique-se que a Anilha está posicionada correctamente em ambas as extremidades da Tubagem(14).

Seção II: A configuração da mangueira para o retorno e o enxágüe

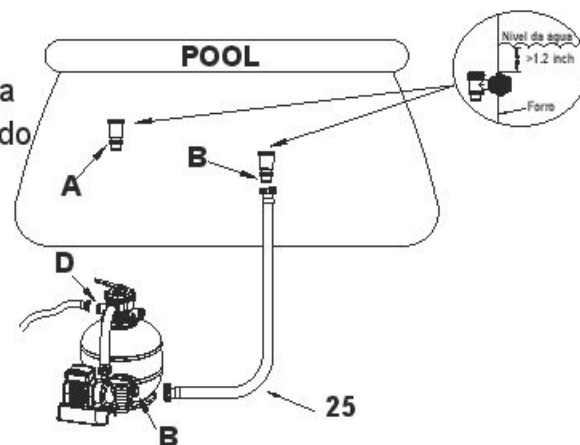
NOTA: Certifique-se que a válvula de controle está configurada na função fechada.

A sua piscina deverá ser enchida com água, certifique-se que ambos os ecrãs de Resíduos estão totalmente submersos em água.

1. Prenda uma Mangueira (25) à Porta B do filtro de areia; aparafuse o anel de bloqueio roscado na sua posição.
2. Aparafuse a outra extremidade da Mangueira (25) à válvula de ligação da Porta B; aparafuse o anel de bloqueio roscado na sua posição.
3. Abra a válvula de ligação.

NOTA: Pode consultar o manual da piscina para as instruções de instalação da válvula de ligação.

4. Aparafuse a outra Mangueira à Porta D e coloque a extremidade adequada na área de drenagem.



Seção III: Retorno e Enxágue

A lavagem e o enxágue devem ser desempenhadas para preparar a bomba para o seu primeiro uso e lavar a areia.

PRECAUÇÃO: NÃO LIGUE O FILTRO DE AREIA A SECO.

1. Pressione o manípulo da válvula de controle e gire na função retorno.
2. Insira a ficha num dispositivo de corrente residual, depois ligue o filtro de areia e faça-o funcionar durante 3-5 minutos, ou até que a água esteja límpida.
3. Desconecte o filtro de areia e configure a válvula de controle na função enxágue.
4. Insira a tomada e coloque o filtro de areia em funcionamento por 1 min. Assim a água circula em retorno pelo filtro de areia e drena a água para fora da Porta D.
5. Desconecte o filtro de areia Coloque a válvula de controle na função fechada.
6. Encha a piscina de água.

IMPORTANTE: Este procedimento remove a água da piscina, a qual você precisará remover.

Desligue o filtro de areia imediatamente se o nível da água estiver próximo às válvulas de entrada e saída da piscina.

NÃO LIGUE O FILTRO DE AREIA A SECO

Seção IV: Complete a Instalação do Filtro de Areia

Conecte a segunda mangueira

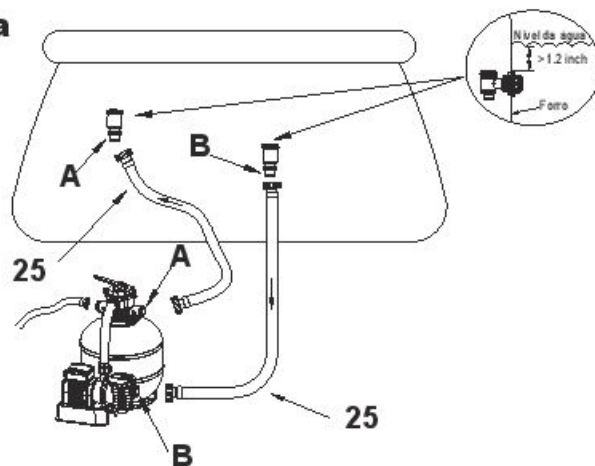
NOTA: É importante que verifique se os conectores hidráulicos não se encontram obstruídos.

NOTA: Certifique-se que a válvula de controle está configurada na função fechada.

Montagem

1. Destaque a mangueira(25) da porta D.
2. Engate a mangueira(25) na Porta A da válvula de controle; aparafuse o anel de bloqueio na posição.
3. Conecte a outra extremidade da mangueira(25) à saída A da piscina.
4. Abra a válvula de ligação.

NOTA: Pode consultar o manual da piscina para as instruções de instalação da válvula de ligação.



Seção V: Funcionamento do Filtro de Areia

1. Agora o filtro de areia está pronto para ser usado. Coloque a válvula de controle na função de filtragem.

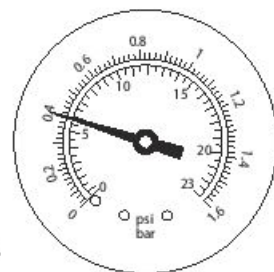
NOTA: Para evitar o risco de choque elétrico, enxugue você mesmo o seu excesso de água e o do filtro de areia.

IMPORTANTE: Antes do funcionamento, certifique-se que o tanque está assente de forma estável na sua base e ligue à bomba correctamente.

2. Ligue o filtro de areia para este funcionar.

NOTA: O filtro de areia iniciou o ciclo de filtragem. Verifique se a água está retornando para a piscina e controle a pressão do filtro no indicador de pressão.

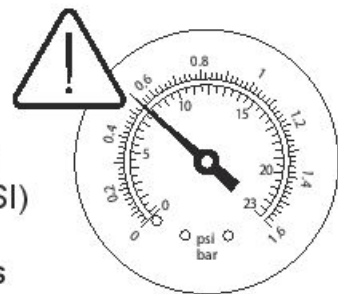
Geralmente, a pressão recomendada para o filtro é inferior a 0.56Bar (8.0PSI) quando está funcionando.



Manutenção do Filtro de Areia

PRECAUÇÃO: Certifique-se que o filtro de areia está desligado e desconectado antes de iniciar qualquer operação de manutenção porque senão existe um grave perigo de lesão ou morte.

Se a sujeira se acumular no filtro de areia, a leitura da pressão no indicador de pressão irá aumentar. Quando o indicador de pressão for 0.56Bar (8.0PSI) ou superior, ou o fluxo de água da piscina estiver muito baixo, é hora de limpar a areia. Para limpar a camada de areia, siga as instruções mostradas previamente na **Seção II; Seção III: Retorno e Enxágue**



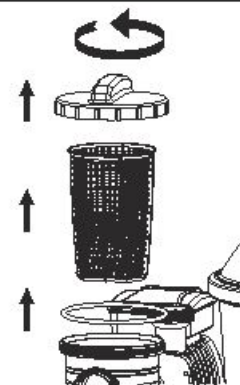
NOTA:

1. O manómetro de pressão serve apenas para fins de manutenção, e o valor de pressão do manómetro serve apenas como referência, não deve ser utilizado como um instrumento de precisão.
2. Recomendamos que limpe a cama de areia uma vez por semana ou menos regularmente, dependendo da frequência com que a piscina é utilizada. Não limpe a areia com demasiada frequência.

Limpendo o filtro

1. Desconecte o filtro de areia e regule a válvula de controle para a função fechada.
2. Substitua os Ecrãs de Detritos por Tampões para evitar que a água escape.
3. Remova a tampa do filtro desapertando-a.
4. Retire o filtro, remova qualquer detrito.
5. Coloque o filtro de volta na posição. Garanta que o orifício no filtro esteja alinhado.
6. Garanta o anel de vedação está no lugar. Aparafuse a tampa do filtro de novo.
7. Remova os Tampões e insira os Ecrãs de Detritos.

NOTA: O filtro deve ser esvaziado e limpo periodicamente. Um filtro sujo ou entupido reduzirá o funcionamento do filtro de água.



Retirar ou drenar a água da piscina

1. Desconecte o filtro de areia e configure a válvula de controle na função Drenagem.
2. Destaque a mangueira da entrada A da piscina e da Porta A do filtro de areia e engate a porta D.
3. Ligue o filtro de areia para remover água da piscina.

AVISO: NÃO LIGUE O FILTRO DE AREIA A SECO.

Proteção para o Inverno e armazenamento prolongado

Em locais onde as temperaturas no inverno são muito rígidas, o equipamento da piscina deve ser protegido para evitar que se danifique. Permitir que a água congele danificará o filtro de areia, além de cancelar a garantia.

1. Retorne o filtro de areia conforme ilustrado.
2. Esvazie a piscina de acordo com o manual do utilizador.
3. Abra a porca de drenagem no fundo do tanque e esvazie a água restante.
4. Desconecte as duas mangueiras da piscina e do filtro de água.
5. Retire completamente a areia do tanque e seque todos os componentes.
6. Afaste o filtro de areia da área da piscina, amazene o filtro de areia num local interior seco e longe do alcance das crianças.

RESOLUÇÃO DE PROBLEMAS

Problemas	Causas Possíveis	Soluções
Está a fluir areia para a piscina	<ul style="list-style-type: none">- A areia é demasiado pequena- Mova a válvula de controlo da função de lavagem para a função de filtro sem parar o filtro de areia- O nível de areia é demasiado alto- O skimmer estava partido	<ul style="list-style-type: none">- Recomendada areia de sílica 0.45mm a 0.85mm #20- Pare o filtro de areia sempre que configurar a válvula de controlo- Verifique se o nível de areia está entre o "MAX" e "MIN" marcados no eixo- Substitua o skimmer
Não existe fluxo de água	<ul style="list-style-type: none">- Os tampões não foram removidos- A válvula de controlo foi configurada para a posição Fechada- O ecrã estava bloqueado- Filtro de areia avariado	<ul style="list-style-type: none">- Remova os tampões de bloqueio e insira os ecrãs de detritos- Configure para a função filtro- Limpe o ecrã- Contacte a assistência
Pressão excessiva no filtro	<ul style="list-style-type: none">- Filtro sujo- Cama de areia calcificada- Retrolavagem insuficiente- O manómetro de pressão estava partido	<ul style="list-style-type: none">- Retrolavagem- Inspeccione a areia e troque caso seja necessário- Execute a retrolavagem até que o efluente corra limpo- Substitua o manómetro de pressão
Fugas da Válvula de Controlo da porta D	<ul style="list-style-type: none">- A Válvula de Controlo foi configurada entre duas funções- O vedante estava partido	<ul style="list-style-type: none">- Configure para uma função- Substitua o vedante
Fugas nos conectores	<ul style="list-style-type: none">- A anilha dos conectores não estava no seu lugar- Anilha dos conectores partida- Mangueiras desapertadas	<ul style="list-style-type: none">- Volte a posicionar a anilha- Substitua a anilha- Aperte-as

Garantia Limitada do Fabricante BESTWAY®

O produto que adquiriu está acompanhado por uma garantia limitada. A Bestway® suporta a nossa garantia de qualidade e assegura, através de uma garantia de substituição, que o seu produto estará livre de defeitos de fabrico que resultem em fugas.

O fornecimento seguinte é válido apenas nos países membros da União Europeia: o regulamento geral da Directiva 1999/44/CE não será afectado por esta garantia limitada BESTWAY.

A garantia limitada é válida: 1 ano de garantia para o filtro de areia a partir da data de compra.

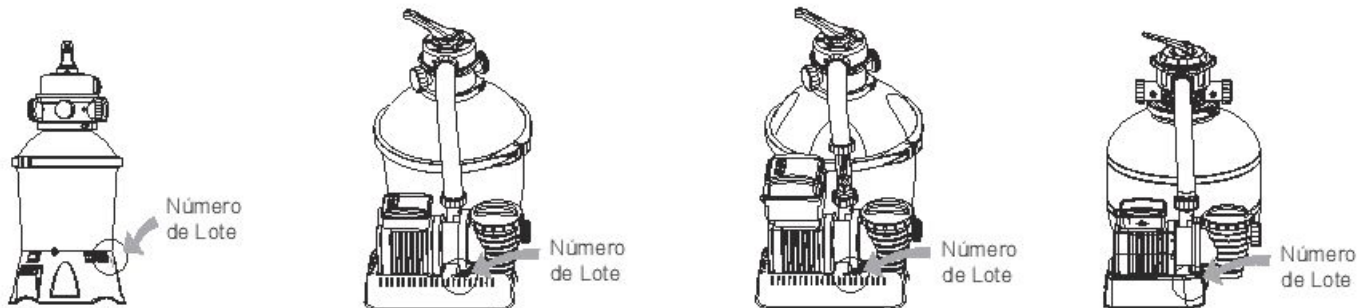
Para interpor um pedido de garantia, deve preencher este formulário e anexar uma cópia da sua factura de compra e enviá-los para o seu Centro de Pós-Vendas Bestway local. Contacte o seu Centro de Pós-Vendas Bestway local antes de enviar quaisquer documentos, eles irão fornecer-lhe instruções completas sobre o que é necessário para o seu pedido. A Bestway® não irá substituir quaisquer produtos que se considere terem sido negligenciados ou terem sido utilizados fora das orientações do manual do proprietário.

A garantia Bestway abrange defeitos de fabrico descobertos durante a desembalagem do produto ou durante a utilização como recomendado neste manual do utilizador, esta garantia aplica-se apenas a produtos que não foram modificados por quaisquer partes terceiras. O produto deve ser armazenado e manipulado de acordo com as recomendações técnicas.

A garantia não cobre danos causados por má utilização, abuso, negligência, incluindo, mas não limitado a colisão, fogo, utilização de voltagem incorrecta, exposição a calor excessivo, instalação indevida, cablagem ou teste indevidos, armazenamento indevido.

As substituições e reparações não se estendem à duração da garantia. A Garantia Limitada é válida a partir do período indicado acima e a data a considerar como o início da garantia é apenas a indicada no recibo/factura de compra original.

Copie o Número de Lote colocado no fundo do filtro de areia.



Número de Lote: _____ Data de compra na factura: _____

PARA: DEPARTAMENTO DE SERVIÇO BESTWAY® DATA: _____ Código de Cliente Número: _____

FAX/E-MAIL/TEL: Por favor refira-se ao seu país de acordo com a informação que encontrará no nosso website: www.bestway-service.com

Forneça os dados da sua morada completa. Nota: Os dados incompletos de endereço resultarão em atrasos nos envios.

A Bestway reserva-se o direito de cobrar o re-ervio de embalagens não entregues por responsabilidade do destinatário.

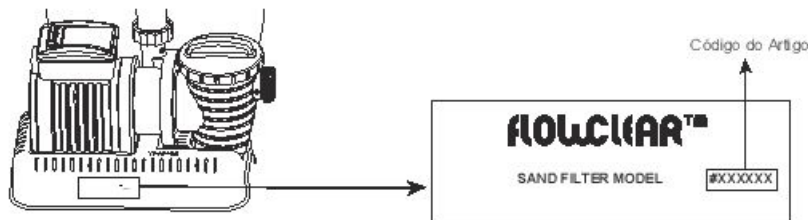
INFORMAÇÃO NECESSÁRIA -- POR FAVOR PREENCHA O SEU ENDEREÇO DE ENTREGA

Nome: _____ Endereço: _____ Código postal: _____

País: _____ Cidade: _____ Telemóvel: _____

Telefone: _____ Fax: _____ E-MAIL: _____

Retalhista: _____ Escreva de Forma Legível o seu Código de Item: _____



Todos os desenhos servem apenas para fins ilustrativos. Não está à escala.

Descrição do problema

- Fuga de água
- Deixou de funcionar
- Item incompleto, Que parte está em falta – Por favor coloque o código no manual de instruções _____
- Outros, por favor descreva _____

IMPORTANTE: APENAS A PEÇA DANIFICADA SERÁ SUBSTITUÍDA, NÃO O CONJUNTO COMPLETO.

A Bestway reserva-se o direito de solicitar provas fotográficas das peças defeituosas, ou requerer o ervio do item para testes adicionais. De forma a poder ajudá-lo melhor, pedimos que toda a informação que forneça esteja completa.

PARA TER ACESSO ÀS PERGUNTAS FREQUENTES, MANUAIS, VÍDEOS OU PEÇAS SOBRESSELENTES, POR FAVOR VISITE A NOSSA PÁGINA WWW.BESTWAY-SERVICE.COM.

OS VÍDEOS ESTÃO TAMBÉM DISPONÍVEIS NO NOSSO CANAL BESTWAY NO YOU TUBE:

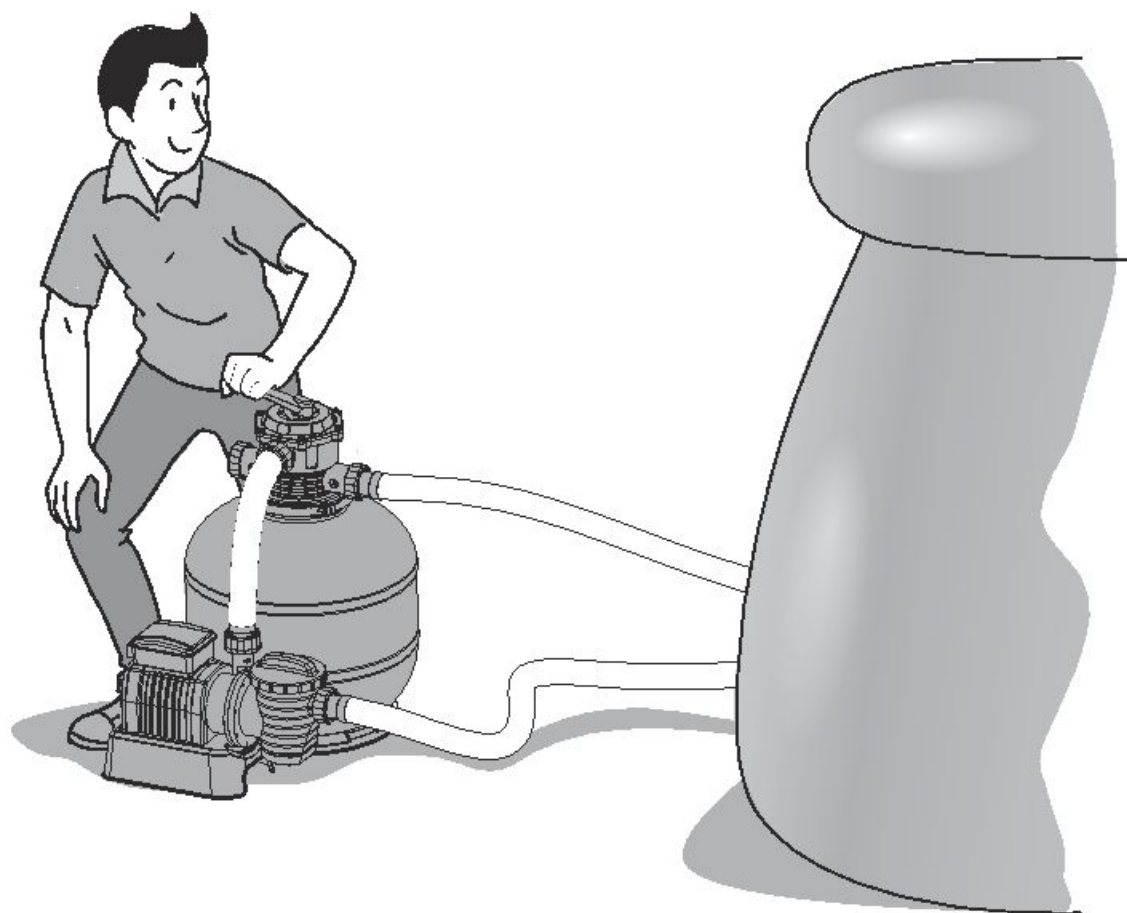
<http://youtube.com/user/BestwayService>.

Bestway

Bestway.

#58366

Hmax 1.5m Hmin 0.19m IPX5



FILTRO DE ARENA FLOWCLEAR™ MANUAL DE INSTRUCCIONES

www.bestway-global.com
www.bestway-service.com



¡ADVERTENCIA**INSTRUCCIONES DE SEGURIDAD IMPORTANTES LEA Y RESPETE TODAS LAS INSTRUCCIONES DE SEGURIDAD.**

Cuando instale y use este equipamiento eléctrico, deben respetarse siempre las precauciones de seguridad básicas, incluyendo las siguientes:

- La bomba debe estar equipada con un transformador aislante o recibir alimentación eléctrica a través de un dispositivo diferencial residual (RCD) con una intensidad de corriente de régimen nominal no superior a 30 mA.
- La toma de alimentación en la pared del edificio deberá estar situada a más de 4 m de la piscina y a una altura mínima de 1,2 m.
- El aparato debe estar equipado con una fuente de alimentación con toma de tierra.
- **RIESGO DE DESCARGA ELÉCTRICA** - La bomba no se puede poner en marcha mientras haya personas en el interior de la piscina. Prohibido el acceso a la piscina si el filtro de arena está dañado.
- **NO ENTIERRE EL CABLE.** Sitúe el cable en un lugar adecuado para evitar que lo dañen las cortadoras de césped, cizallas para cortar setos, y cualquier otro equipamiento similar.
- Para reducir el riesgo de descarga eléctrica, sustituya el cable dañado inmediatamente.
- Si el cable de suministro está dañado, debe ser sustituido por el fabricante, su agente de servicio o una persona con una cualificación similar para evitar cualquier accidente.
- Prohibido el uso de cables de prolongación.
- Riesgo de descarga eléctrica. Usar el filtro de arena con un suministro eléctrico que no corresponda con el indicado es peligroso y puede dañar de manera permanente el filtro de arena.
- No quite la toma de tierra ni modifique de ninguna manera el enchufe. No use adaptadores para enchufes. Consulte con un técnico electricista cualificada para cualquier cuestión relacionada con los enchufes o las tomas de tierra.
- Maneje el filtro de arena con cuidado. No lleve ni tire del filtro de arena desde el cable de alimentación. No saque nunca el enchufe de la toma tirando del cable de alimentación. Mantenga el cable sin quemaduras. No debe exponerse el filtro de arena a objetos afilados, aceite, partes en movimiento y el calor.
- Desenchufe siempre este producto de la toma eléctrica antes de quitar, limpiar, efectuar operaciones de mantenimiento o realizar cualquier tipo de ajuste en el producto.
- No enchufe ni desenchufe el aparato con las manos húmedas.
- Desenchufe siempre el aparato:
 - en días lluviosos,
 - antes de limpiar o realizar otras operaciones de mantenimiento,
 - si queda sin supervisión durante las vacaciones
- Cuando el aparato no se vaya a utilizar durante un tiempo (por ejemplo, en invierno), el kit de piscina debe guardarse en el interior.
- **Advertencia:** Lea las instrucciones antes de usar el aparato, durante la instalación/un nuevo montaje.
- Guarde las instrucciones en un lugar seguro. Consulte siempre las instrucciones cuando deba volver a montar la piscina.
- En caso de perder las instrucciones, póngase en contacto con Bestway o realice una búsqueda en la página web: www.bestway-service.com
- Las instalaciones eléctricas deben cumplir la normativa nacional en materia de cableado. Póngase en contacto con un electricista calificado para resolver cualquier duda.

PRECAUCIÓN: Este filtro de arena puede usarse sólo con piscinas que se guardan. No lo use con piscinas instaladas de manera permanente. Una piscina que se puede guardar se fabrica de manera que se puede desmontar rápidamente para guardarla y volver a montarla de nuevo. Una piscina instalada de manera permanente dentro del suelo o sobre el mismo o en una construcción no puede ser desmontada para guardarla.

- Este aparato puede ser utilizado por niños mayores de 8 años y personas con capacidades físicas, sensoriales o mentales disminuidas o con falta de experiencia y conocimiento si cuentan con la supervisión adecuada o reciben instrucciones precisas respecto al uso del aparato de una forma segura y comprenden los riesgos asociados. No permita que los niños jueguen con el aparato. Las operaciones de limpieza y mantenimiento no deben ser realizadas por niños sin supervisión. (Para el mercado de la UE)
- Este aparato no está pensado para ser utilizado por personas (incluidos niños) con capacidades físicas, sensoriales o mentales reducidas o con falta de experiencia y conocimiento, a no ser que sea bajo supervisión o después de recibir instrucciones precisas respecto al uso del aparato de una persona

responsable de su seguridad. En presencia de niños, mantenga el aparato bajo control para evitar que jueguen con él. (Solo para mercados distintos de la UE)

- La limpieza y el mantenimiento son operaciones que deberá realizar un adulto mayor de 18 años familiarizado con el riesgo de descargas eléctricas.

NOTA:

- Sitúe el filtro de arena en un lugar sólido y nivelado. Asegúrese de que el filtro de arena está a al menos dos metros del lado de la piscina. Aléjelo lo máximo posible.
- Preste atención a la posición de la piscina y del filtro de arena, de manera que se asegure una ventilación, drenaje y acceso adecuados durante las operaciones de mantenimiento. No sitúe nunca el filtro de arena en un área que pueda acumular agua, o en un camino donde haya mucho tránsito de personas.
- Es necesario poder acceder al enchufe después de la instalación de la piscina. El enchufe del filtro de arena debe estar a al menos 3,5 m de la piscina.
- Las condiciones atmosféricas pueden afectar al rendimiento y la duración del filtro de arena; tome las medidas necesarias para proteger el filtro de arena de un desgaste innecesario y de roturas que podrían producirse durante los periodos de calor o frío y/o debido a la exposición al sol.
- Por favor, examine y compruebe todos los componentes del filtro de arena antes del uso. Notifique al servicio al cliente de Bestway en la dirección indicada en este manual cualquier pieza que falte o esté dañada en el momento de la compra.
- Es imprescindible cambiar todas las piezas deterioradas tan pronto como sea posible. Utilice únicamente piezas especificadas por el fabricante.
- No permita que los niños o los adultos se sienten o se apoyen en el aparato.
- No añada productos químicos al filtro de arena.
- Cuando utilice productos químicos para limpiar el agua de la piscina, es recomendable respetar el tiempo mínimo de filtrado para proteger la salud de los nadadores, lo que depende del cumplimiento de las normas sanitarias.
- Para la instalación del producto solo deben utilizarse los materiales proporcionados o especificados por el fabricante.
- Es fundamental comprobar que las aperturas de succión no estén obstruidas.
- Es aconsejable detener el filtrado durante las operaciones de mantenimiento del sistema de filtrado.
- Compruebe regularmente el nivel de obstrucción del filtro.
- Se recomienda realizar un control semanal para limpiarlo. El tiempo de funcionamiento diario mínimo recomendado para garantizar la limpieza del agua de la piscina es de 8 horas.
- Es fundamental cambiar cualquier pieza o conjunto de piezas dañadas lo antes posible. Utilice solo piezas aprobadas por la persona responsable de poner este producto en el mercado.
- Todos los filtros y medios de filtrado deben ser comprobados regularmente para garantizar que no haya una acumulación de residuos y garantizar la buena calidad del filtrado. La eliminación de cualquier medio de filtrado debe efectuarse de acuerdo con las normativas/leyes aplicables.
- Preste atención a todos los requisitos y recomendaciones del presente manual. En caso de duda acerca de la bomba o sobre cualquier dispositivo de circulación, póngase en contacto con un instalador cualificado o con el fabricante/importador/distribuidor. La instalación de circulación del agua debe cumplir con las normativas europeas, nacionales y locales, especialmente por lo que respecta a asuntos eléctricos. Cualquier cambio de posición de la válvula, del tamaño de la bomba o del tamaño de la rejilla podría causar un cambio en el caudal y la velocidad de succión podría aumentar.
- Este producto no ha sido diseñado para un uso comercial.

Lea atentamente el manual de instrucciones y guárdelo para futuras consultas.

CONSERVE ESTAS INSTRUCCIONES

ELIMINACIÓN

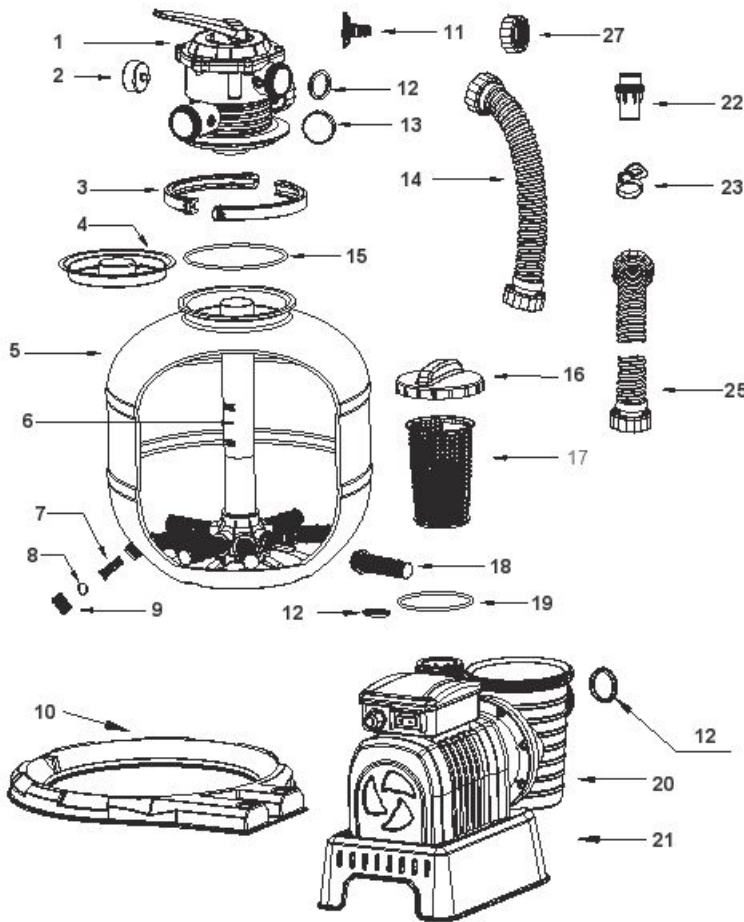


Significado de la papelera tachada con ruedas:

No tire los aparatos eléctricos con los residuos municipales no clasificados, use los sistemas de recogida separada. Póngase en contacto con las autoridades municipales para conocer los sistemas de recogida disponibles. Si se tire los aparatos eléctricos en vertederos o en descargas, las sustancias peligrosas pueden llegar a las corrientes de agua e introducirse en la cadena alimentaria, dañando su salud y bienestar. Cuando sustituya los aparatos antiguos, el vendedor está legalmente obligado a recoger su antiguo aparato para su correcta eliminación sin ningún cargo adicional.

VISTA GENERAL DE REFERENCIA DE LAS PARTES

Antes de montar el filtro de arena, tome unos minutos para familiarizarse con todas las piezas del filtro de arena.

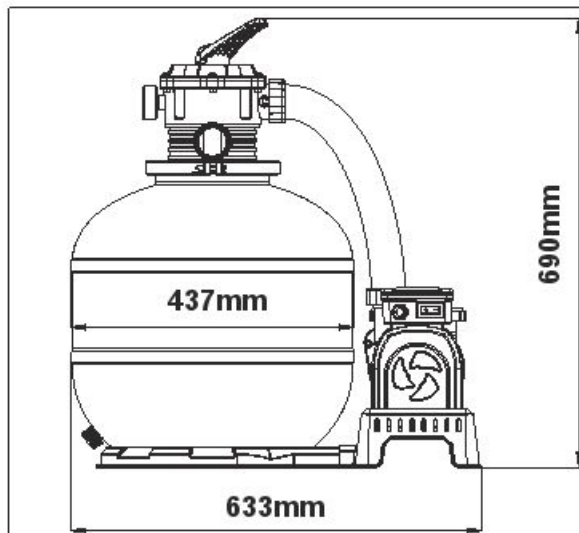


Nº REF.	DESCRIPCIÓN	CDAD.	Nº PIEZA RECAMBIO
1	Válvula de control	1	P61204
2	Manómetro	1	P61138
3	Abrazadera de la brida	2	P61205
4	Cubierta del casquillo	1	P61209
5	Depósito	1	P61213
6	Casquillo	1	P61206
7	Cartucho para residuos	1	P61211
8	Arandela de drenaje	1	P6581
9	Tapón de válvula de drenaje	1	P6580
10	Base del depósito	1	P61212
11	Adaptador de manguera de jardín	1	P6614
12	Arandela	5	P6029
13	Tapón del puerto D	1	P6540
14	Tubería	1	P6560
15	Junta tórica	1	P61214
16	Tapa del tamiz	1	P6561
17	Tamiz	1	P6562
18	Cartucho de filtro	8	P61210
19	Junta	1	P6563
20	Bomba	1	P61207
21	Bomba (solo para R.U.)	1	P61207GB
22	Adaptador	2	P6916
23	Abrazaderas de tubo	2	P6124
27	Tuerca de adaptador	1	P6615

Partes opcionales

25	Manguera (Φ38mm 3M)	2	P6028
26	Rejilla para Residuos	1	P61322
	Rejilla para Residuos	1	P61318

ESPECIFICACIONES

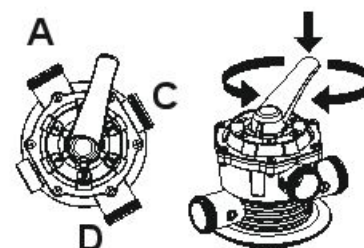


Diámetro del filtro:	437mm
Área de filtrado efectiva:	0.150m ² (1.61ft ²)
Presión de funcionamiento máx.:	1.58Bar (23PSI)
Presión de filtrado de arena de funcionamiento:	<0.56Bar (8PSI)
Temperatura del agua máx:	35°C
Arena:	No incluida
Tamaño de la arena:	#20 arena silicea, 0,45-0,85mm
Capacidad de arena:	35kg aproximadamente

VISTA GENERAL DE LA VÁLVULA DE CONTROL







ATENCIÓN: Para evitar daños al equipo o heridas a las personas, desenchufe cada vez la bomba del filtro de arena antes de cambiar la función de la válvula de control. Si se cambia las posiciones de la válvula mientras la bomba está en funcionamiento, se puede dañar la válvula de control, lo que puede provocar heridas a personas o daños a los objetos. Cómo usar la válvula de control

Apriete en el asa de la válvula de control y gire hasta la función deseada.



FUNCIONES DE LA VÁLVULA DE CONTROL

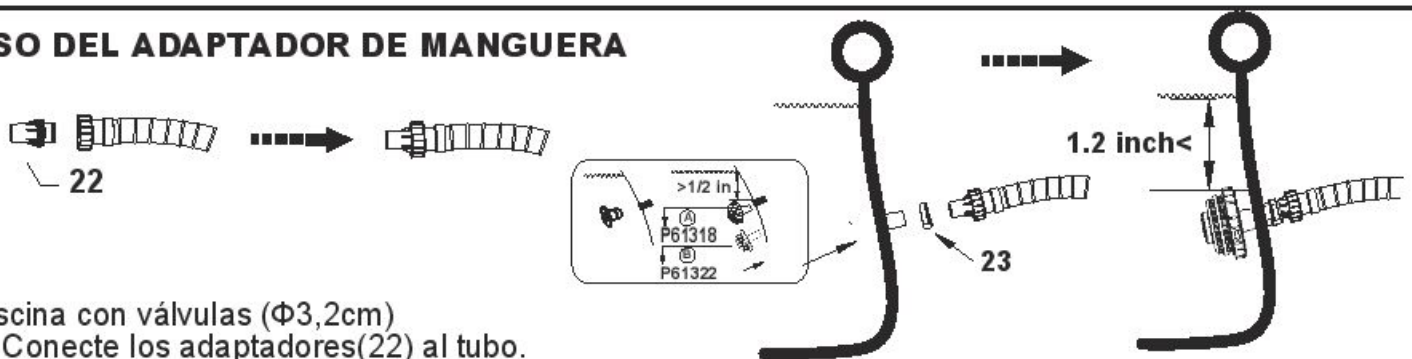
La válvula de control se usa para seleccionar 6 funciones de filtrado diferentes: Filtrado, aclarado, circulación, retrolavado, cierre y drenaje.

-  **Filtrado:** Esta función se usa para filtrar el agua de la piscina y debería estar colocada aquí el 99% del tiempo. El agua es bombeada a través del filtro de arena, donde se limpia y se devuelve a la piscina.
-  **Retrolavado:** Esta función se usa para limpiar el lecho de arena; se bombea agua a través del casquillo de recogida, hacia arriba hacia el lecho de arena, y se deposita fuera del puerto D.
-  **Aclarado:** Esta función se usa para el inicio, limpieza y nivelado del lecho de arena después del retrolavado; se bombea el agua hacia abajo a través del lecho de arena, a través del casquillo de recogida y se deposita fuera del puerto de la válvula D.
-  **Circulación:** Esta función hace circular el agua de la piscina bypasando el filtro de arena; se debe usar esta función si el filtro está roto para recoger los desechos en la pantalla para los desechos.
-  **Drenaje:** Esta función drena el agua de la piscina; con otro ajuste del bypass del filtro, el agua se bombea y se deposita fuera del puerto C, en vez de volver a la piscina.
-  **Cierre:** Esta función impide que el agua salga entre el filtro de arena y la piscina.

NOTA:

- Asegúrese de haber tomado todas las medidas necesarias para cumplir las normas locales, regionales o nacionales en esta materia. No descargue el agua si ello puede provocar inundaciones o daños.
- Cuando la válvula de control está fijada en las posiciones de retrolavado, aclarado, o drenaje, el agua se descargará desde el puerto D en la válvula de control.
- No enchufe ni haga funcionar el filtro de arena con la válvula de control fijada en la posición de cierre o dañará seriamente el filtro de arena.
- No fije la válvula de control entre dos funciones, o se producirán pérdidas.
- Para evitar pérdidas de agua, enrosque el tapón del puerto D en el puerto D de la válvula de control antes de hacer funcionar el filtro de arena.

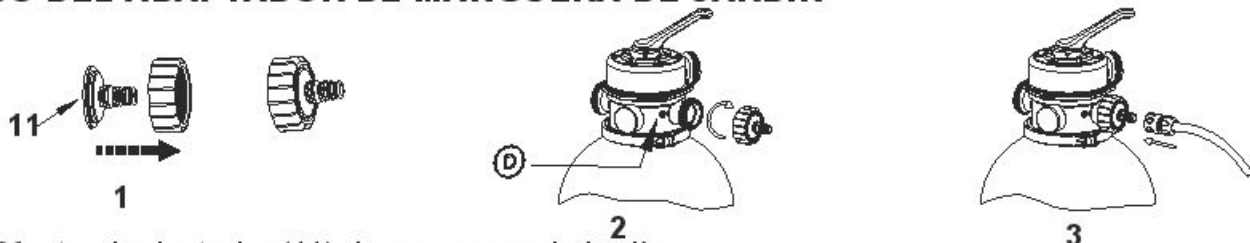
USO DEL ADAPTADOR DE MANGUERA



Piscina con válvulas ($\Phi 3,2\text{cm}$)

- 1) Conecte los adaptadores (22) al tubo.
- 2) Conecte los tubos a las tomas identificadas con las letras correspondientes en la piscina.
- 3) Conecte los tubos al filtro de arena presionando en la toma de la bomba. Enrosque los anillos de bloqueo roscados en su posición; asegúrese de hacer coincidir las letras correspondientes en el filtro de arena (A con A, B con B).
- 4) Retire los tapones de tope de las válvulas de entrada y salida de la piscina e introduzca la rejilla para residuos (26).
- 5) Con los tubos y la rejilla para residuos (26) en posición, apriete las abrazaderas de tubo (23).

USO DEL ADAPTADOR DE MANGUERA DE JARDÍN



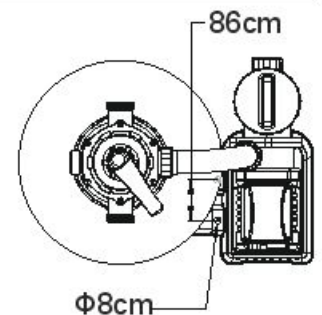
1. Monte el adaptador (11) de manguera de jardín.
2. Atornille el adaptador (11) de manguera de jardín al puerto D del filtro de arena.
3. Conecte la manguera de jardín al adaptador (11) de manguera de jardín.

NOTA:

1. El adaptador (11) de manguera de jardín puede usarse solo para el drenaje, y solo puede conectarse al puerto D del filtro de arena.
2. Desconecte y desenchufe siempre el filtro de arena antes de montar el adaptador (11) de manguera de jardín y ajuste la válvula de control a la posición de Cierre.
3. Asegúrese de que la arandela está en posición antes de conectar el adaptador (11) de manguera de jardín.

Sección I: Montaje (Necesitará un destornillador Phillips.)

1. Saque con cuidado todos los componentes del paquete y compruebe que ninguno está dañado. Si el equipamiento está dañado, notifíquelo inmediatamente al vendedor donde ha comprado el equipamiento.
2. El filtro de arena debe situarse en un lugar sólido y nivelado, preferiblemente en una losa de cemento. Coloque el filtro de arena de manera que se pueda acceder a los puertos y la válvula de control para efectuar el funcionamiento, operaciones de mantenimiento y protección durante el invierno.
3. El EN60335-2-41 TEST requiere que el filtro de arena esté fijado verticalmente al suelo y colocada sobre un pedestal de madera o de cemento antes de ser utilizado para evitar que el filtro de arena pueda caer accidentalmente. Una vez montado, el filtro de arena tiene un peso superior a 18 kg. Los agujeros de montaje deben tener un diámetro de 8mm y un espacio de 86mm entre ellos. Utilice dos tornillos y tuercas de un diámetro máximo de 8mm para asegurar el filtro de arena al pedestal.

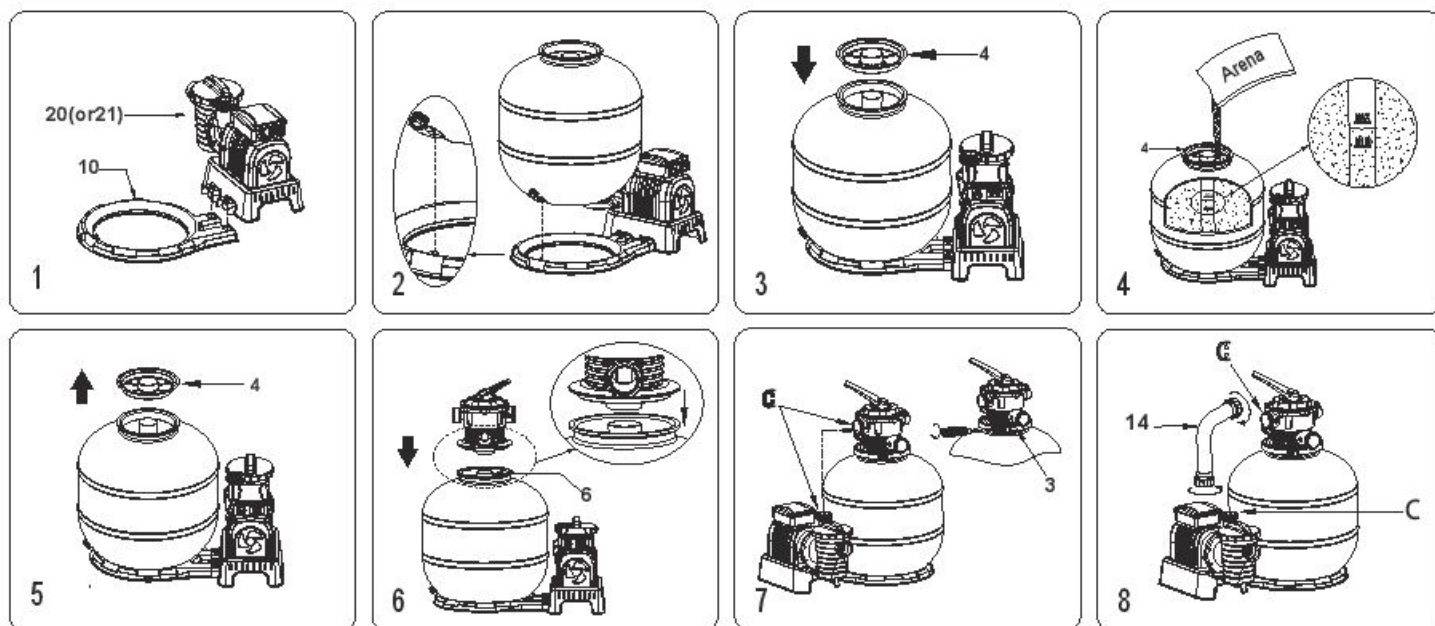


Cargue la arena de filtrado del tipo indicado.

NOTA: Use sólo la arena de filtrado del tipo indicado, sin caliza ni arcilla: #20 arena silíceas de 0,45-0,85mm, aproximadamente, una bolsa de 35Kg. debería ser suficiente. Si no utiliza un filtro de arena del tamaño recomendado, la eficacia de filtrado se verá reducida y el filtro de arena podría sufrir daños, dejando la garantía sin validez.

NOTA: Para evitar dañar el skimmer al añadir la arena, eche un poco de agua en el depósito inferior para sumergir el skimmer en el casquillo de recogida.

NOTA: ARENA NO INCLUIDA.



1. Coloque la base del depósito correctamente alineando el orificio de posición.
2. Coloque el depósito correctamente sobre la base del depósito.
3. Coloque la cubierta del filtro (4).
4. Agregue arena lentamente, evitando que el peso de la arena dañe el recogehojas en el casquillo, hasta que alcance un nivel situado entre las marcas «máx.» y «mín». #20 Arena de sílice 0,45-0,85 mm, 35 kg aprox.
5. Retire la cubierta del filtro (4).
6. Descienda la válvula de control sobre el tanque lentamente, y asegúrese de que el tubo de derivación que sobresale debajo de la válvula de control se ajusta de forma segura a la bañera (6).
7. Asegúrese de que el puerto C de la válvula de control esté alineada con el puerto C de la bomba. Acople la abrazadera de la brida(3) superior y enrósquela en su posición.
8. Acople la tubería(14) al puerto C de la bomba y de la válvula de control; enrósque los anillos de bloqueo roscados en su posición. Asegúrese de que la arandela esté perfectamente colocada en ambos extremos de la tubería(14).

Sección II: Configuración de la manguera para el retrolavado y aclarado

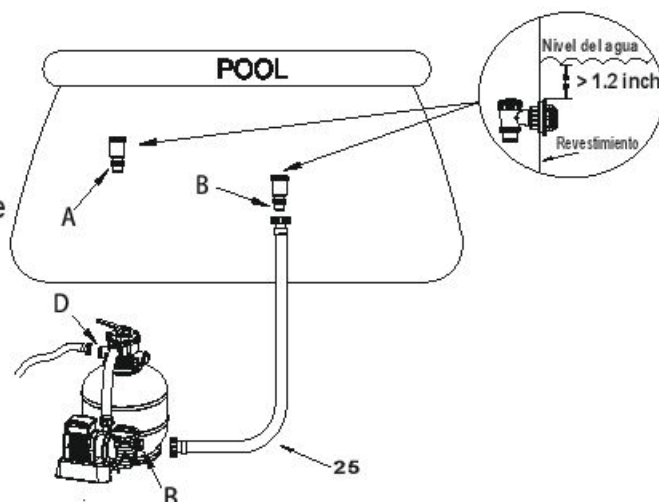
NOTA: Asegúrese de que la válvula de control está fijada en la función de cierre.

Debe llenar la piscina con agua, asegúrese de que las dos rejillas para desechos estén totalmente sumergidas en el agua.

1. Acople un manguera (25) al puerto B del filtro de arena; enrósque el anillo de bloqueo roscado en su posición.
2. Enrósque el otro extremo del manguera (25) a la válvula de conexión del puerto B; enrósque el anillo de bloqueo roscado en su posición.
3. Abra la válvula de conexión.

NOTA: Puede consultar el manual de la piscina para conocer las instrucciones de instalación de la válvula de conexión.

4. Enrósque la otra manguera al puerto D y coloque el extremo opuesto en una zona de drenaje.



Sección III: Retrolavado y aclarado

Lave y aclare la bomba antes de utilizarla por primera vez, eliminando cualquier resto de arena.

PRECAUCIÓN: NO DEJE FUNCIONAR EN SECO EL FILTRO DE ARENA

1. Apriete en el asa de la válvula de control y gire hasta la función de retrolavado.
2. Introduzca el enchufe en un dispositivo diferencial residual, ponga en funcionamiento el filtro de arena de 3 a 5 minutos o hasta que el agua salga limpia.
3. Desconecte el filtro de arena y fije la válvula de control en la función aclarado.
4. Introduzca el enchufe y haga funcionar el filtro de arena durante 1 minuto. Esto hace circular el agua hacia atrás en el lecho de arena y drena el agua por el puerto D.
5. Desconecte el filtro de arena. Fije la válvula de control en la función de cierre.
6. Llene con agua la piscina.

IMPORTANTE: Este procedimiento quita agua de la piscina, que es necesario reemplazar.

Desconecte el filtro de arena inmediatamente si los niveles de agua se acercan a las válvulas de entrada y salida de la piscina.

NO DEJE FUNCIONAR EN SECO EL FILTRO DE ARENA

Sección IV: Instalación completa del filtro de arena

Conecte la segunda manguera.

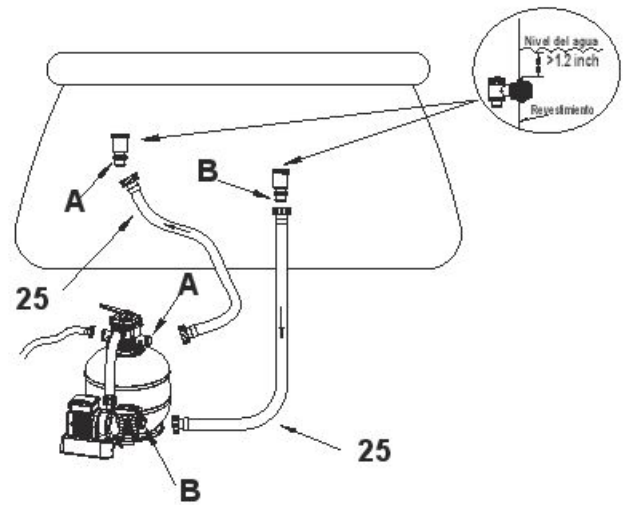
NOTA: Es imprescindible comprobar que los conectores hidráulicos no están obturados.

NOTA: Asegúrese de que la válvula de control está fijada en la función de cierre.

Montaje

1. Separe la manguera (25) del puerto D.
2. Conecte la manguera (25) al puerto A de la válvula de control; enrosque el anillo de bloqueo roscado en su posición.
3. Conecte el otro extremo de la manguera (25) en la entrada A de la piscina.
4. Abra la válvula de conexión.

NOTA: Puede consultar el manual de la piscina para conocer las instrucciones de instalación de la válvula de conexión.



Sección V: Funcionamiento del filtro de arena

1. Ahora el filtro de arena está listo para su uso. Fije la válvula de control en la función de filtrado.

NOTA: Para evitar el riesgo de descarga eléctrica, seque cualquier agua sobrante de usted mismo y del filtro de arena.

IMPORTANTE: Antes de la operación, asegúrese de que el depósito está siempre colocado sobre su base y correctamente conectado a la bomba.

2. Encienda el filtro de arena para que funcione.

NOTA: Ahora el filtro de arena ha comenzado su ciclo de filtrado. Compruebe que el agua vuelve a la piscina y tome nota de la presión de filtrado en el presostato.

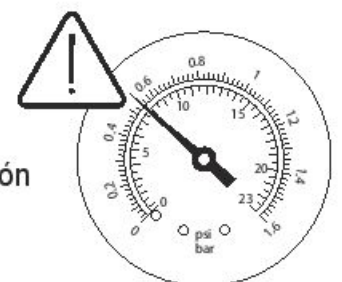
Normalmente, se recomienda que la presión de filtrado de la arena sea inferior a 0.56Bar (8.0PSI) cuando está funcionando.



Mantenimiento del filtro de arena

PRECAUCIÓN: Debe asegurarse de que el filtro de arena está apagado y desconectado antes de comenzar el mantenimiento, o existe el riesgo de graves lesiones o incluso la muerte.

A medida que se acumule la suciedad en el filtro de arena, aumentará la presión que se lee en el presostato. Cuando el presostato llegue a 0.56Bar (8.0PSI) o más, o el flujo de agua que salga por la piscina sea demasiado bajo, es el momento de limpiar la arena. Para limpiar el lecho de arena, siga las



instrucciones previamente indicadas en la **Sección II; Sección III: Retrolavado y aclarado**

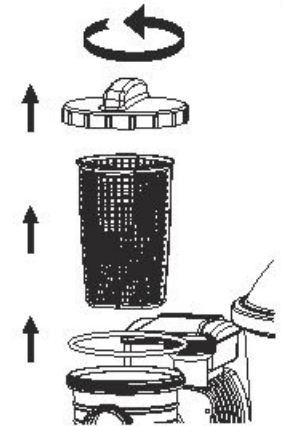
NOTA:

1. El manómetro debe usarse solo para operaciones de mantenimiento y su valor sirve solo como referencia, no debe usarse como instrumento de precisión.
2. Le recomendamos que limpie el lecho de arena una vez al mes o con menos regularidad, dependiendo del uso de la piscina. No limpie la arena con demasiada frecuencia.

Limpieza del tamiz

1. Desconecte el filtro de arena y fije la válvula de control en la función cerrada.
2. Vuelva a colocar las rejillas para residuos con los tapones de tope para evitar que se escape el agua.
3. Quite la tapa del tamiz desenroscándola.
4. Quite el tamiz, extraiga los restos depositados.
5. Vuelva a poner el tamiz en su posición. Asegúrese de que el agujero en el tamiz está alineado.
6. Asegúrese de que el anillo del sello está en su lugar. Vuelva a enroscar la tapa del tamiz.
7. Retire los tapones de tope e inserte las rejillas para residuos.

NOTA: El tamiz debe vaciarse y limpiarse periódicamente. Un tamiz sucio o bloqueado reducirá el rendimiento del filtro de arena.



Cómo bajar o drenar el agua de la piscina

1. Desconecte el filtro de arena y fije la válvula de control en la función de drenaje.
2. Separe la manguera de la entrada A de la piscina y el puerto A del filtro de arena y acóplela al puerto D.
3. Encienda el filtro de arena para eliminar agua de la piscina.

ATENCIÓN: NO DEJE FUNCIONAR EN SECO EL FILTRO DE ARENA.

Preparación para el invierno y almacenamiento a largo plazo

En áreas en las que las temperaturas durante el invierno son suficientemente bajas para que el agua se hiele, el equipamiento de la piscina debe ser protegido para evitar que se dañe. Si permite que el agua se hiele, se dañará el filtro de arena y se anulará la garantía.

1. Efectúe el retrolavado del filtro de arena tal y como se ha explicado anteriormente.
2. Drene la piscina de acuerdo con el manual de instrucciones de la piscina.
3. Abra la tuerca de drenaje en la parte inferior del depósito y libere el agua restante.
4. Desconecte las dos mangueras de la piscina y el filtro de arena.
5. Saque toda la arena del depósito y seque todos los componentes.
6. Retire el filtro de arena del área de la piscina, guarde el filtro de arena en un lugar seco y fuera del alcance de los niños.

SOLUCIÓN DE PROBLEMAS

Problemas	Posibles causas	Soluciones
Fluye arena hasta la piscina	<ul style="list-style-type: none"> - Arena demasiado fina - Cambie la válvula de control de la función de retrolavado a la función de filtrado sin detener el filtro de arena - El nivel de la arena es demasiado alto - El recogehojas está roto 	<ul style="list-style-type: none"> - Se recomienda arena de sílice #20 de 0,45 mm a 0,85 mm - Detenga el filtro de arena cada vez que ajuste la válvula de control - Compruebe si el nivel de arena se encuentra entre las marcas «máx.» y «mín» en el casquillo - Cambie el recogehojas
No fluye el agua	<ul style="list-style-type: none"> - Los tapones de tope no se retiraron - La válvula de control se ajustó en posición cerrada - El tamiz está bloqueado - El filtro de arena está roto 	<ul style="list-style-type: none"> - Retire los tapones de tope e inserte las rejillas para residuos - Ajuste en la función de filtrado - Limpie el tamiz - Llame al servicio técnico
Demasiada presión en el filtro	<ul style="list-style-type: none"> - Filtro sucio - Lecho de arena calcificado - Retrolavado insuficiente - El manómetro está roto 	<ul style="list-style-type: none"> - Retrolavado - Inspeccione la arena y cambie en caso necesario - Retrolavado hasta que los efluentes salgan limpios - Cambie el manómetro
La válvula de control presenta fugas en el puerto D	<ul style="list-style-type: none"> - La válvula de control se ajustó entre dos funciones - La junta está rota 	<ul style="list-style-type: none"> - Ajuste en una función - Cambie la junta
Los conectores presentan fugas	<ul style="list-style-type: none"> - Arandela de los conectores fuera de lugar - Anillo en el conector del tubo roto - Mangueras sueltas 	<ul style="list-style-type: none"> - Recoloque la arandela - Cambie el anillo - Apriételos

Garantía Limitada del Fabricante BESTWAY®

El producto que ha comprado viene acompañado de una garantía limitada. Bestway® asevera nuestra garantía de calidad y asegura, mediante una garantía de sustitución, que su producto estará libre de defectos de fabricación que resulten en fugas. La siguiente prestación solo es válida en los países miembros de la Unión Europea: el reglamento legal de la Directiva 1999/44/EC no se llevará a cabo por esta garantía limitada BESTWAY.

La garantía limitada es válida: 1 año desde la fecha de compra original para el filtro de arena.

Si desea presentar una reclamación en garantía, cumplimente este impreso y envíelo a su centro de servicios posventa de Bestway local acompañado de una copia del recibo de compra. Póngase en contacto con su centro de servicios posventa de Bestway local antes de enviar cualquier documento; dicho centro le informará debidamente de lo necesario para tramitar su reclamación. Bestway® no sustituirá ningún producto si se considera que ha sido tratado o usado con negligencia o en modo diverso del estipulado en el manual de instrucciones.

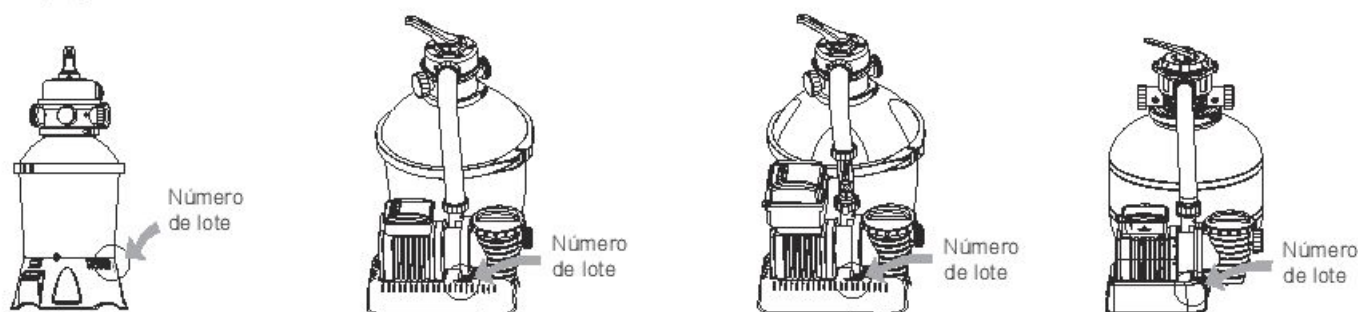
La garantía Bestway cubre defectos de fabricación descubiertos durante el desembalaje del producto o durante el uso del mismo, siempre y cuando se utilice siguiendo las recomendaciones incluidas en el manual de instrucciones; esta garantía se aplica solo a aquellos productos que no hayan sido modificados por terceros.

El producto debe guardarse y manipularse de acuerdo con las recomendaciones técnicas.

Esta garantía no cubre daños provocados por usos indebidos, abusivos o negligentes, incluyendo, aunque no de manera exhaustiva, choques, fuego, uso de un voltaje incorrecto, exposición excesiva al calor, instalación, cableado, ensayos o almacenamiento inadecuados.

Las reparaciones y las sustituciones no amplían la duración de la garantía. La garantía limitada es válida desde la fecha indicada arriba y la fecha de entrada en vigor de la garantía será la que figura en la factura o el recibo de compra original.

Por favor, copie el Número de Lote indicado en el filtro de arena.



Número de lote: _____ Fecha del recibo de compra: _____

PARA: DEPARTAMENTO DE ATENCIÓN AL CLIENTE BESTWAY® FECHA: _____ Número de Código del Cliente: _____

FAX/E-MAIL/TEL: Consulte la información de contacto correspondiente a su país indicada en la contraportada o en la página web: www.bestway-service.com

Por favor, detalle su dirección completa. Nota: Las direcciones incompletas resultarán en retrasos en los envíos.

Bestway se reserva el derecho de cobrar los nuevos envíos de los paquetes devueltos cuando el motivo de dicha devolución sea atribuible al destinatario.

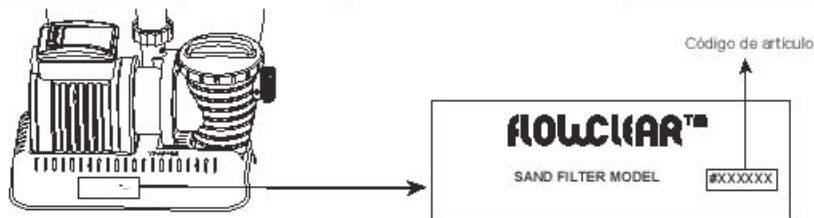
INFORMACION REQUERIDA – POR FAVOR, ESCRIBA LA DIRECCION DE ENTREGA

Nombre: _____ Dirección: _____ Código postal: _____

País: _____ Ciudad: _____ Móvil: _____

Teléfono: _____ Fax: _____ E-MAIL: _____

Distribuidor: _____ Escriba el Código de Artículo de forma clara: _____



Las ilustraciones se incluyen únicamente a título indicativo. No a escala.

Descripción del problema

- Fuga de agua
- Dejó de funcionar
- Artículo incompleto, Qué parte falta – Por favor, inserte el código que aparece en el manual de instrucciones _____
- Otros, por favor especifique _____

IMPORTANTE: SOLO SE SUSTITUIRÁ LA PARTE DAÑADA, NO LA TOTALIDAD DEL PRODUCTO.

Bestway se reserva el derecho de solicitar pruebas fotográficas de las piezas defectuosas o de solicitar el envío del elemento para la realización de pruebas adicionales. Para poder ayudarlo lo mejor posible, le rogamos que nos suministre información completa.

PARA CONSULTAR FAQ, MANUALES, VÍDEOS O COMPRAR PIEZAS DE REPUESTO, VISITE NUESTRA PÁGINA WEB WWW.BESTWAY-SERVICE.COM.

LOS VÍDEOS TAMBIÉN ESTÁN DISPONIBLES EN NUESTRO CANAL BESTWAY EN YOUTUBE:

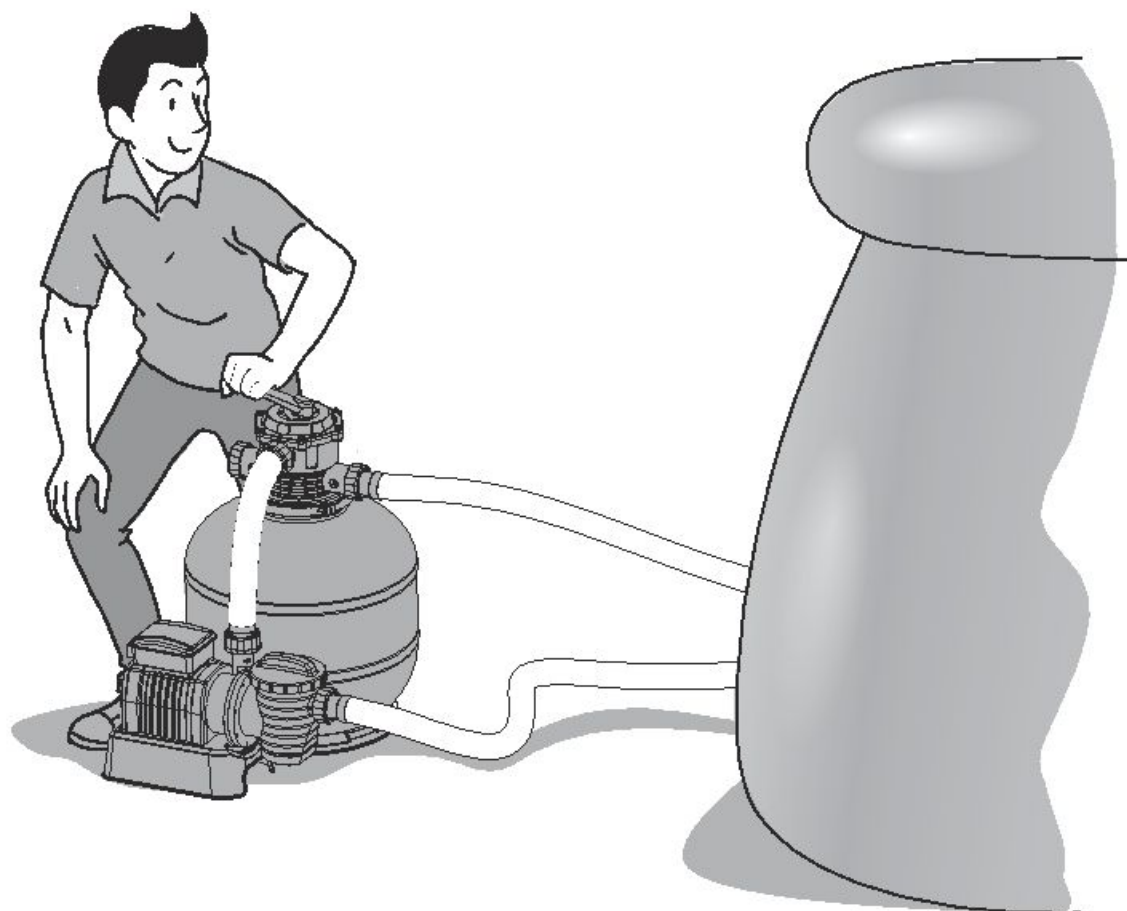
<http://youtube.com/user/BestwayService>.

Bestway

Bestway.

#58366

Hmax 1.5m Hmin 0.19m IPX5



SANDFILTER FLOWCLEAR™ GEBRAUCHSANLEITUNG

www.bestway-global.com
www.bestway-service.com



ACHTUNG

WICHTIGE SICHERHEITSANWEISUNGEN BITTE LESEN UND BEACHTEN SIE ALLE SICHERHEITSBESTIMMUNGEN.

Bei der Installation und der Benutzung von elektrischen Geräten müssen die grundlegenden Sicherheitsbestimmungen einschließlich der folgenden immer beachtet werden:

- Die Pumpe muss über einen Trenntransformator oder über eine Fehlerstrom-Schutzeinrichtung (RCD) mit einem Ansprechdifferenzstrom von nicht mehr als 30mA versorgt werden.
 - Die Stromquelle an der Gebäudewand sollte mehr als 4m vom Pool entfernt sein und sich in einer Höhe von mindestens 1,2m befinden.
 - Das Gerät muss von einer geerdete Stromquelle mit Spannung versorgt werden
 - **ELEKTROSCHOCKGEFAHR** - Die Pumpe darf nicht betrieben werden, wenn sich Personen im Pool aufhalten. Bei defektem Sandfilter darf der Pool nicht genutzt werden.
 - **VERGRABEN SIE KEINE KABEL.** Verlegen Sie die Kabel so, dass die Gefahr einer Beschädigung durch Rasenmäher, Heckenscheren usw. vermieden wird.
 - Ersetzen Sie beschädigte Kabel sofort, um jede Gefahr von elektrischen Schlägen zu vermeiden.
 - Falls das Netzkabel beschädigt ist, muss es durch den Hersteller, den Kundendienst oder in entsprechender Weise qualifizierte Person ausgewechselt werden, um die Gefahr von Stromschlägen zu vermeiden.
 - Es können keine Verlängerungskabel verwendet werden.
 - Elektroschlaggefahr. Der Einsatz des Sandfilters mit einer ungeeigneten Stromversorgung ist gefährlich und kann zu schweren Funktionsstörungen des Sandfilters führen.
 - Entfernen Sie den Erdungsleiter nicht und nehmen Sie keine Änderungen am Stecker vor. Verwenden Sie keine Adapterstecker. Lassen Sie die Erdung Ihrer Steckdosen von einem qualifizierten Elektriker überprüfen.
 - Behandeln Sie den Sandfilter vorsichtig. Ziehen oder tragen Sie den Sandfilter nicht am Netzkabel. Ziehen Sie den Stecker nie mit dem Netzkabel aus der Steckdose. Schützen Sie das Kabel vor Beschädigungen. Der Sandfilter muss vor scharfkantigen Gegenständen, Öl, beweglichen Teilen und Hitze geschützt werden.
 - Trennen Sie dieses Produkt immer von der Stromversorgung, bevor Sie es ausbauen, reinigen, warten oder Einstellungen daran vornehmen.
 - Stecken Sie das Gerät nicht mit nassen Händen ein oder aus.
 - Stecken Sie das Gerät immer aus:
 - An Regentagen
 - Bevor Reinigungs- oder Wartungsarbeiten durchgeführt werden.
 - wenn Sie das Produkt für einen längeren Zeitraum unbeaufsichtigt lassen (z. B. während des Urlaubs)
 - Wird das Gerät für einen längeren Zeitraum nicht benutzt (z. B. im Winter), muss das Poolset demontiert und in Innenräumen gelagert werden.
 - **Vorsicht:** Bitte lesen Sie diese Anweisungen jedes Mal sorgfältig durch, bevor Sie das Gerät benutzen und installieren/montieren.
 - Bewahren Sie diese Anweisungen sorgfältig auf. Beachten Sie bei jedem erneuten Aufbau des Pools diese Anweisungen.
 - Sollten diese Anweisungen verloren gehen, kontaktieren Sie Bestway oder suchen Sie das Dokument auf unserer Website: www.bestway-service.com
 - Elektrische Installationen sollten die nationalen Anschlussvorschriften beachten. Lassen Sie sich von einem qualifizierten Elektriker in allen Fragen beraten.
- ACHTUNG:** Dieser Sandfilter wurde ausschließlich für die Benutzung in lagerbaren Pools konzipiert. Nicht in fest installierten Pools benutzen. Ein lagerbarer Pool ist so konstruiert, dass es zur Lagerung abgebaut und anschließend wieder aufgebaut werden kann. Ein fest installierter Pool ist so konstruiert, dass es nicht für die Lagerung abgebaut werden kann.
- Dieses Gerät kann von Kindern ab 8 Jahren oder älter sowie von Personen mit physischen, sensorischen oder mentalen Einschränkungen oder mangelnder Erfahrung und mangelnden Kenntnissen benutzt werden, sofern sie entsprechend beaufsichtigt oder mit der Bedienung des Gerätes und den damit verbundenen Gefahren vertraut gemacht wurden. Kinder dürfen nicht mit dem Gerät spielen. Die Reinigung und Wartung durch den Benutzer darf von Kindern nicht ohne Beaufsichtigung durchgeführt werden. (Für den EU-Markt)
 - Dieses Gerät darf nicht von Personen (inklusive Kinder) mit physischen, sensorischen oder mentalen Einschränkungen oder mangelnder Erfahrung und mangelnden Kenntnissen benutzt werden, wenn diese nicht durch eine für ihre Sicherheit verantwortliche Person entsprechend

beaufsichtigt werden oder mit der Bedienung des Gerätes und den damit verbundenen Gefahren vertraut gemacht wurden. Kinder müssen während der Nutzung beaufsichtigt werden, um sicherzustellen, dass sie nicht mit dem Gerät spielen. (Für Nicht-EU-Märkte)

- Reinigung und Wartung durch den Benutzer müssen von einem mindestens 18 Jahre alten Erwachsenen durchgeführt werden, der mit den Gefahren eines elektrischen Schlages vertraut ist.

HINWEIS:

- Setzen Sie den Sandfilter auf eine feste und ebene Unterlage. Bitte stellen Sie sicher, dass sich der Sandfilter zumindest zwei Meter vom Rand des Pools entfernt befindet. Halten Sie so viel Abstand wie möglich.
- Achten Sie darauf, dass die Position des Pools und des Sandfilters eine angemessene Lüftung, die Drainage und den Zugang für die Wartung gewährleistet. Positionieren Sie den Sandfilter nie an einer Stelle, an der sich Wasser ansammeln kann oder wo er den Verkehr stört.
- Die Steckdose muss nach der Installation des Pools zugänglich sein. Die Steckdose des Sandfilters sollte zumindest 3,5m vom Pool entfernt sein.
- Die Witterungsbedingungen können sich auf die Leistung und die Lebensdauer des Sandfilters auswirken; schützen Sie den Sandfilter in geeigneter Weise vor unnötigem Verschleiß bei kalter oder heißer Witterung und/oder Sonneneinstrahlung.
- Bitte prüfen Sie alle Komponenten des Sandfilters vor der Benutzung. Bitte wenden Sie sich an den Bestway-Kundendienst unter der im Handbuch angegebene Adresse, falls beim Kauf Teile fehlen oder beschädigt sind.
- Defekte Teile müssen unverzüglich ausgetauscht werden. Verwenden Sie ausschließlich vom Hersteller empfohlene und zugelassene Teile.
- Stellen Sie sicher, dass sich niemand gegen das Gerät lehnt oder darauf setzt.
- Füllen Sie keine Chemikalien in den Sandfilter ein.
- Wenn Chemikalien zum Reinigen des Poolwassers eingesetzt werden, empfehlen wir aus gesundheitlichen Gründen und zur Einhaltung von Vorschriften die Einhaltung einer minimalen Filtrierungszeit.
- Bei der Produktinstallation sind nur die vom Hersteller gelieferten oder angegebenen Medien zu verwenden.
- Es ist unbedingt notwendig zu prüfen, dass die Ansaugöffnungen nicht blockiert sind.
- Es ist empfehlenswert, die Filtration während der Wartungseingriffe auf dem Filtersystem zu stoppen.
- Regelmäßig das Verstopfen des Filters überwachen.
- Es wird eine wöchentliche Kontrolle für Rückspülen oder Reinigung empfohlen. Die tägliche Mindestfilterbetriebsdauer von acht Stunden wird empfohlen, um sauberes Poolwasser zu garantieren.
- Es ist unbedingt notwendig, jegliche beschädigten Elemente oder Elementgruppen so schnell wie möglich zu ersetzen. Verwenden Sie nur von der Person, die das Produkt auf den Markt gebracht hat, empfohlenen Teile.
- Alle Filter und Filtermedien müssen regelmäßig untersucht werden, um sicherzustellen, dass keine Schmutzansammlungen vorliegen, die eine korrekte Filtration verhindern. Die Entsorgung jeglicher gebrauchten Filtermedien muss in Einklang mit den geltenden Vorschriften/Gesetzen erfolgen.
- Beachten Sie alle im Handbuch beschriebenen Sicherheitsvorschriften und Empfehlungen. Im Fall von Zweifeln hinsichtlich der Pumpe oder Umwälzvorrichtungen wenden Sie sich bitte an einen Installationsfachmann oder an den Hersteller/Importeur/Händler. Die Installation der Wasserzirkulation muss im Einklang mit den europäischen sowie den nationalen/lokalen Bestimmungen erfolgen, insbesondere wenn es sich um elektrische Fragen handelt. Jegliche Änderungen der Ventilposition, Pumpen- oder Gittergröße kann zu einer Änderung des Durchflusses und einer Erhöhung der Ansaugeschwindigkeit führen.
- Dieses Produkt darf nicht für kommerzielle Zwecke benutzt werden.

Bitte lesen Sie das Handbuch sorgfältig durch und bewahren Sie es als künftige Referenz auf.

BEWAHREN SIE DIESE ANWEISUNGEN AUF

UMWELTSCHUTZ



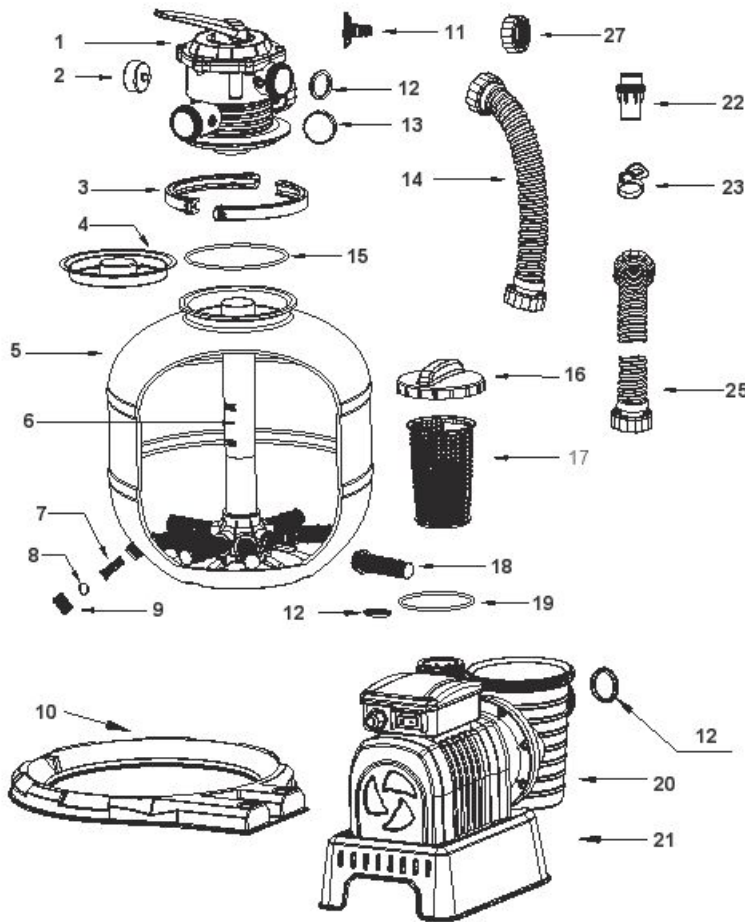
Die Bedeutung der durchstrichenen Mülltonne:

Entsorgen Sie elektrische Geräte nicht im Hausmüll, nutzen Sie die Sammelstellen in ihrer Gemeinde. Fragen Sie Ihre Gemeindeverwaltung nach den Standorten der Sammelstellen.

Wenn elektrische Geräte unkontrolliert entsorgt werden, können während der Verwitterung gefährliche Stoffe ins Grundwasser und damit in die Nahrungskette gelangen, oder Flora und Fauna auf Jahre vergiftet werden. Wenn Sie das Gerät durch ein neues ersetzen, ist der Verkäufer gesetzlich verpflichtet, das alte mindestens kostenlos zur Entsorgung entgegenzunehmen.

ÜBERSICHT BAUTEILE

Bitte überprüfen Sie vor der Montage des Sandfilters alle Bauteile und machen Sie sich mit ihnen vertraut.

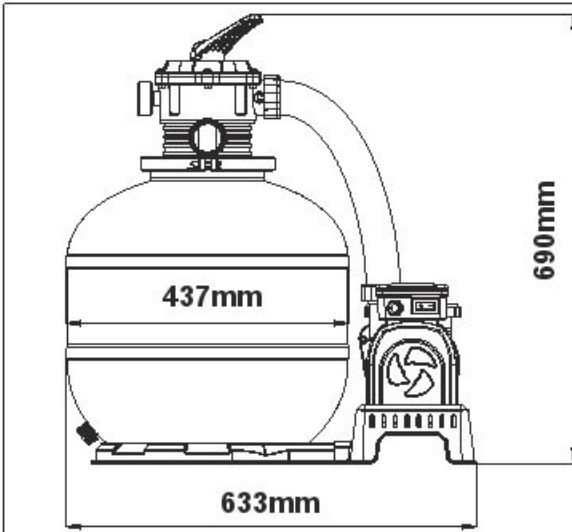


REF.-NR.	BESCHREIBUNG	MENGE	ERSATZTEIL NR.
1	Regelventil	1	P61204
2	Druckmesser	1	P61138
3	Flanschklemme	2	P61205
4	Nabendeckel	1	P61209
5	Tank	1	P61213
6	Nabe	1	P61206
7	Schmutzfilter	1	P61211
8	Dichtungsscheibe für Ablass	1	P6581
9	Kappe Ablaufventil	1	P6580
10	Tankhalter	1	P61212
11	Gartenschlauchadapter	1	P6614
12	Dichtungsscheibe	5	P6029
13	Kappe Anschluss D	1	P6540
14	Rohrleitung	1	P6560
15	O-Ring	1	P61214
16	Filtersiebabdeckung	1	P6561
17	Filtersieb	1	P6562
18	Filterpatrone	8	P61210
19	Dichtring	1	P6563
20	Pumpe	1	P61207
21	Pumpe (Nur für GB)	1	P61207GB
22	Adapter	2	P6916
23	Schlauchklamme	2	P6124
27	Adaptermutter	1	P6615

Optionen

25	Schlauch (Φ38mm 3M)	2	P6028
26	Schmutzsieb	1	P61322
	Schmutzsieb	1	P61318

SPEZIFIKATIONEN



Filterdurchmesser:	437mm
Effektive Filterfläche:	0.150m ² (1.61ft ²)
Max. Betriebsdruck:	1.58Bar (23PSI)
Arbeitsdruck des Sandfilters:	<0.56Bar (8PSI)
Max. Wassertemperatur:	35°C
Sand:	Not included
Sandgröße:	#20 silica sand, 0.45-0.85mm
Fassungsvermögen Sand:	Approximately 35kg

ÜBERSICHT STEUERVENTIL

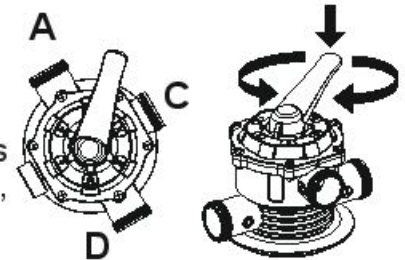
WARNUNG: Ziehen Sie zur Vermeidung von Beschädigungen und Verletzungen immer den Stecker des Sandfilters heraus, bevor Sie die Funktion des Steuerventils ändern. Die Änderung der Position des Ventils während des Betriebs kann zu Beschädigungen des Steuerventils führen, die zu Verletzungen oder Sachschäden führen können.







Benutzung des Steuerventils

Drücken Sie den Griff des Steuerventils herunter und drehen Sie ihn auf die gewünschte Funktion.

FUNKTIONEN DES STEUERVENTILS

Das Steuerventil wird für die Wahl von 6 verschiedenen Filterfunktionen verwendet: Filtern, Spülen, Umwälzen, Ausspülen, Geschlossen und Ablassen.

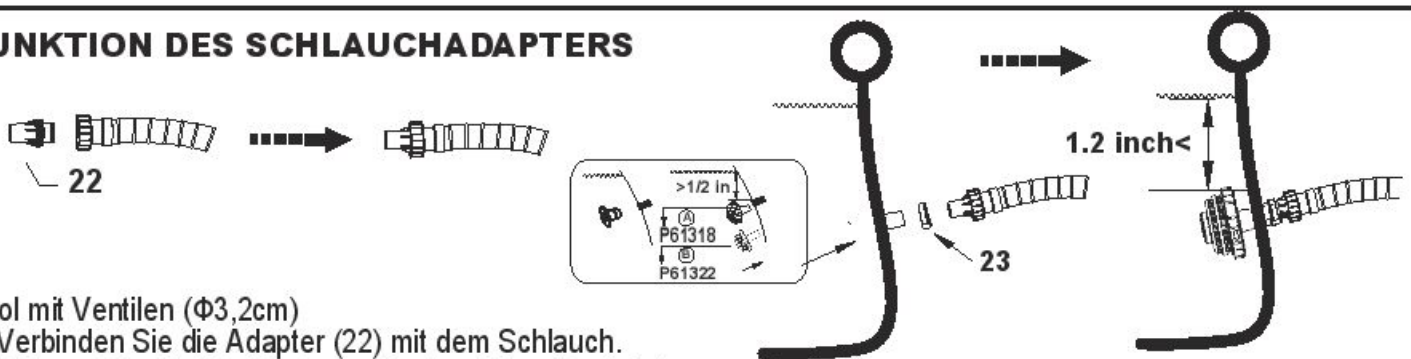


-  **Filtern:** Diese Position wird zum Filtern des Poolwassers verwendet und sollte für 99% der Zeit eingestellt werden. Das Wasser wird durch den Sandfilter gepumpt und fließt sauber in den Pool zurück.
-  **Ausspülen:** Diese Funktion wird zum Reinigen des Sandbetts verwendet; das Wasser wird durch die Kollektornabe hinab, durch das Sandbett hinauf und durch den Anschluss D hinaus gepumpt.
-  **Spülen:** Diese Funktion für die Inbetriebnahme wird zum Reinigen und Nivellieren des Sandbetts nach dem Ausspülen verwendet; das Wasser wird durch das Sandbett hinab, durch die Kollektornabe hinab und durch den Anschluss D hinaus gepumpt.
-  **Umwälzen:** Diese Funktion wälzt das Poolwasser am Sandfilter vorbei um; benutzen Sie diese Funktion, falls der Filter defekt ist, um den Schmutz im Schmutzfilter zu fangen.
-  **Ablassen:** Diese Funktion pumpt das Wasser aus dem Pool ab, das heißt das Wasser wird nicht in den Pool zurück, sondern durch den Anschluss C herausgepumpt.
-  **Geschlossen:** Diese Funktion unterbricht den Wasserfluss zwischen dem Sandfilter und dem Pool.

HINWEIS:

- Stellen Sie immer sicher, dass beim Ablassen alle lokalen, regionalen und/oder staatlichen Bestimmungen eingehalten werden. Lassen Sie das Wasser nicht in Bereichen ab, in denen die Gefahr von Überschwemmung oder Beschädigung besteht.
- Das Wasser wird durch den Anschluss D des Steuerventils herausgepumpt, wenn das Steuerventil auf die Position Ausspülen, Spülen oder Ablassen gestellt ist.
- Stecken Sie den Stecker des Sandfilters nicht ein, wenn das Steuerventil auf die Funktion "Geschlossen" gestellt ist; anderenfalls wird der Sandfilter ernsthaft beschädigt.
- Stellen Sie das Steuerventil nicht zwischen zwei Funktionen, da es anderenfalls undicht wird.
- Schrauben Sie, um ein Auslaufen von Wasser zu vermeiden, bevor Sie den Sandfilter betreiben, die Kappe von Anschluss D auf das Steuerventil am Anschluss D.

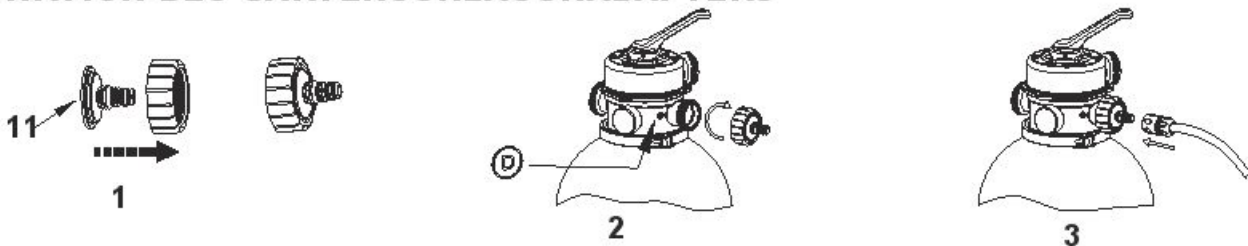
FUNKTION DES SCHLAUCHADAPTERS



Pool mit Ventilen ($\Phi 3,2\text{cm}$)

- 1) Verbinden Sie die Adapter (22) mit dem Schlauch.
- 2) Bringen Sie die Schläuche an den jeweiligen Buchstaben am Pool an.
- 3) Bringen Sie die Schläuche am Sandfilter an, indem Sie die Schlauchbefestigung auf den Pumpenanschluss drücken. Schrauben Sie die Sicherungsgewinderinge auf. Vergewissern Sie sich, dass die Anschlüsse des Pools und des Sandfilters entsprechend der Buchstabenkennzeichnungen verbunden sind (A zu A und B zu B).
- 4) Entfernen Sie die Verschlussstopfen aus den Einlass- und Auslassventilen des Pools und setzen Sie die Schmutzsiebe (26) ein.
- 5) Nachdem die Schläuche und die Schmutzsiebe (26) positioniert sind, ziehen Sie die Schlauchklemmen (23) fest.

FUNKTION DES GARTENSCHLAUCHADAPTERS



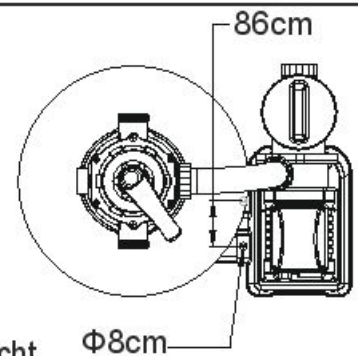
1. Montieren Sie den Gartenschlauchadapter (11).
2. Schrauben Sie den Gartenschlauchadapter (11) auf den Anschluss D des Sandfilters.
3. Bringen Sie den Gartenschlauch am Gartenschlauchadapter (11) an.

HINWEIS:

1. Der Gartenschlauchadapter (11) kann nur zur Drainage verwendet und nur an Anschluss D des Sandfilters montiert werden.
2. Schalten Sie den Sandfilter stets aus, ziehen Sie den Netzstecker und schließen Sie das Regelventil, ehe Sie den Gartenschlauchadapter (11) anbringen.
3. Vergewissern Sie sich, dass die Dichtungsscheibe korrekt angebracht ist, bevor Sie den Gartenschlauchadapter (11) montieren.

Abschnitt I: Montage (Sie benötigen einen Kreuzschlitzschraubenzieher.)

1. Entnehmen Sie vorsichtig alle Komponenten aus der Verpackung und stellen Sie sicher, dass nichts beschädigt ist. Wenden Sie sich umgehend an den Händler, bei dem Sie die Ausrüstung gekauft haben, falls Komponenten beschädigt sind.
2. Setzen Sie den Sandfilter auf eine feste und ebene Unterlage, vorzugsweise auf eine Betonplatte. Stellen Sie den Sandfilter so auf, dass die Anschlüsse und das Steuerventil für den Betrieb, die Wartung und die Vorbereitung für den Winter zugänglich sind.
3. Der TEST-Standard EN60335-2-41 schreibt vor, dass der Sandfilter senkrecht auf dem Boden befestigt wird oder ein Gestell aus Holz bzw. Beton vor dem Gebrauch errichtet wird, um ein unbeabsichtigtes Umfallen des Sandfilters zu verhindern. Das Gewicht des vollständig montierten Sandfilters überschreitet 18kg. Die Montagebohrungen müssen einen Durchmesser von 8 mm sowie einen Abstand von 86mm zueinander aufweisen. Verwenden Sie zwei Schrauben und Muttern mit einem Durchmesser von maximal 8mm, um den Sandfilter am Gestell zu befestigen.

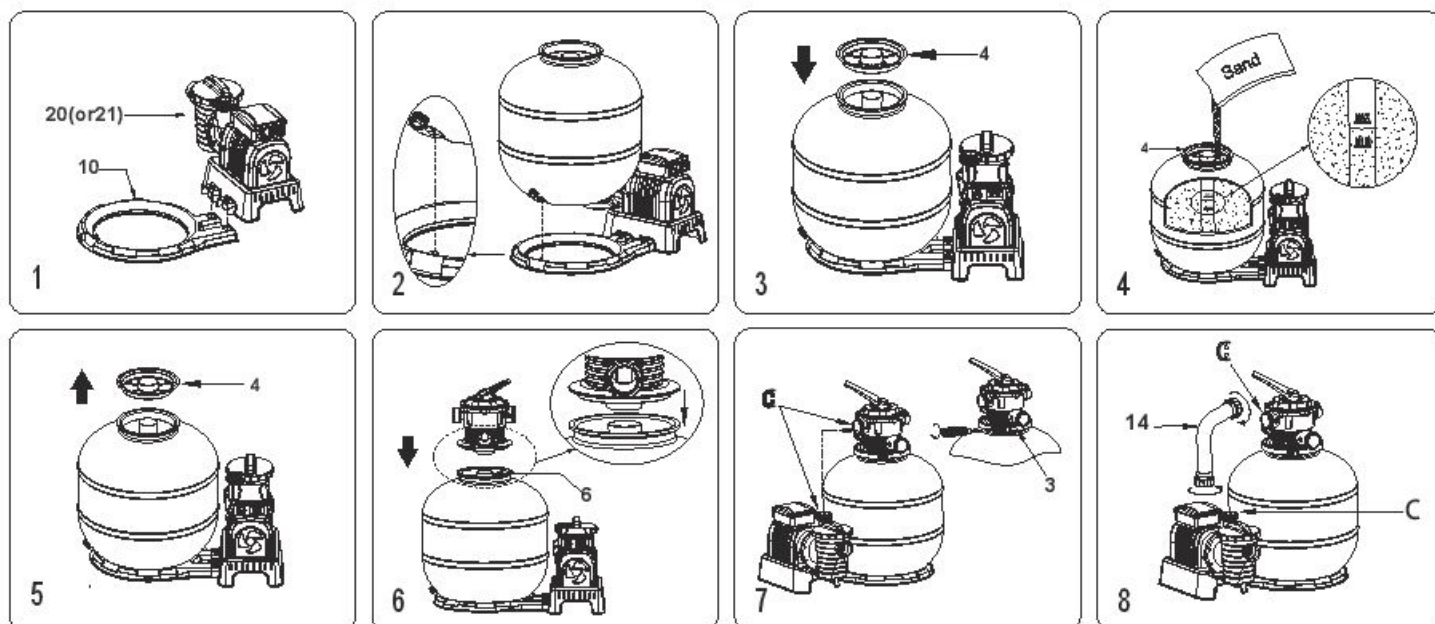


Füllen Sie Filtersand für Pools ein.

HINWEIS: Verwenden Sie ausschließlich kalk- und lehmfreien Spezialfiltersand für Pools: #20 Quarzsand, 0,45-0,85mm, ca. ein Sack zu 35kg sollte ausreichen. Wenn Sie keinen Filtersand in der empfohlenen Größe verwenden, reduziert sich die Filterleistung und der Sandfilter kann beschädigt werden, wobei es zu einem Garantieverlust kommt.

HINWEIS: Füllen Sie dann etwas Wasser in den unteren Tank, um den Reiniger in die Kollektornabe einzutauchen.

HINWEIS: SAND NICHT EINGESCHLOSSEN.



1. Stellen Sie den Tank an einem geeigneten Platz auf und richten Sie das Positionsloch aus.
2. Stellen Sie den Tank rechts der Tankhalterung auf.
3. Positionieren Sie die Filterabdeckung(4).
4. Füllen Sie langsam Sand in das Gewicht, damit der Sand den Abstreifer auf der Nabe nicht beschädigt. Der Füllstand muss zwischen "MAX" und "MIN" liegen. #20 Quarzsand 0,45-0,85mm, ca. 35 kg.
5. Filterabdeckung herausziehen(4).
6. Senken Sie langsam das Steuerventil über dem Tank und stellen Sie sicher, dass die unterhalb des Steuerventils vorstehende Umlaufleitung sicher in der Nabe (6) sitzt.
7. Vergewissern Sie sich, dass der Anschluss C auf dem Regelventil mit dem Anschluss C der Pumpe ausgerichtet ist. Bringen Sie die obere Flanschklemme(3) an und schrauben Sie sie in ihre Position.
8. Montieren Sie die Rohrleitung(14) am Anschluss C der Pumpe und am Anschluss C des Regelventils und schrauben Sie den Sicherungs-Gewinding in die richtige Position. Vergewissern Sie sich, dass der Dichtungsring an beiden Enden der Rohrleitung(14) korrekt positioniert ist.

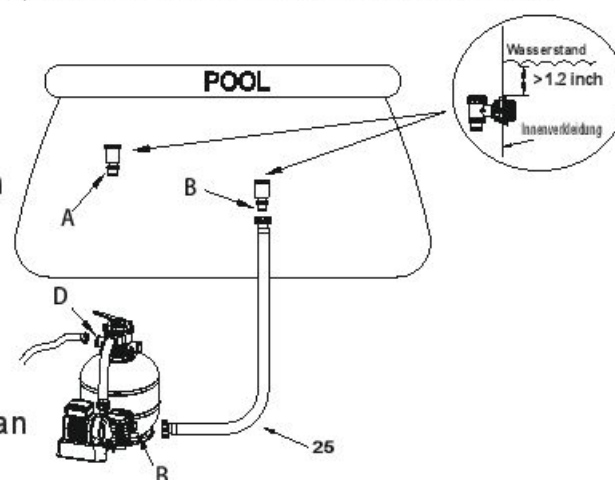
Abschnitt II: Schlauchkonfiguration für das Ausspülen

HINWEIS: Stellen Sie sicher, dass das Steuerventil auf die Funktion "Geschlossen" gestellt ist. Ihr Pool sollte mit Wasser gefüllt sein, vergewissern Sie sich, dass beide Schmutzsiebe des Pools vollständig in Wasser eingetaucht sind.

1. Bringen Sie einen Schlauch (25) am Anschluss B des Sandfilters an und schrauben Sie den Sicherungsgewinding in die richtige Position.
2. Schrauben Sie das andere Ende des Schlauchs (25) an das Anschlussventil des Anschlusses B und schrauben Sie den Sicherungsgewinding in die richtige Position.
3. Öffnen Sie das Anschlussventil.

HINWEIS: Weitere Informationen zur Installation des Anschlussventils finden Sie im Handbuch Ihres Pools.

4. Schrauben Sie den anderen Schlauch an Anschluss D an und platzieren Sie das entgegen gesetzte Ende des Schlauchs im Abflussbereich.



Abschnitt III: Ausspülen

Rückspülen und Spülen müssen ausgeführt werden, um die Pumpe auf den erstmaligen Gebrauch vorzubereiten und den Sand zu waschen.

ACHTUNG: LASSEN SIE DEN SANDFILTER NICHT TROCKEN LAUFEN.

1. Drücken Sie das Steuerventil herunter und drehen Sie es auf die Funktion "Ausspülen".
2. Stecken Sie den Stecker in eine Fehlerstrom-Schutzeinrichtung ein und schalten Sie den Sandfilter ein, um ihn für 3-5 Minuten zu betreiben, oder bis klares Wasser fließt.
3. Ziehen Sie den Stecker des Sandfilters heraus und stellen Sie das Steuerventil auf die Funktion Durchspülen.
4. Stecken Sie den Stecker ein, lassen Sie den Sandfilter eine Minute durch das Sandbett laufen und lassen Sie es durch den Anschluss D ab.
5. Ziehen Sie den Stecker des Sandfilters heraus. Stellen Sie das Steuerventil auf die Funktion „Geschlossen“.
6. Füllen Sie Wasser nach.

WICHTIG: Dabei wird Wasser aus dem Pool abgepumpt, das nachgefüllt werden muss. Ziehen Sie den Stecker des Sandfilters sofort heraus, wenn der Wasserpegel in die Nähe des Einlass- oder des Auslassventils des Pools kommt.

LASSEN SIE DEN SANDFILTER NICHT TROCKEN LAUFEN.

Abschnitt IV: Vollständige Installation des Sandfilters

Schließen Sie den zweiten Schlauch an

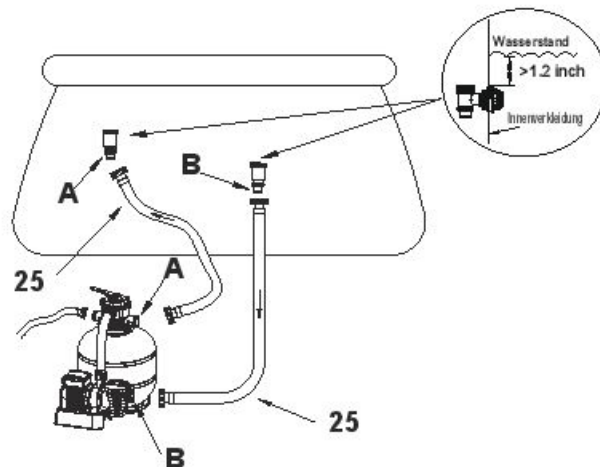
HINWEIS: Unbedingt vergewissern, dass die hydraulischen Verbinder nicht verstopft sind.

HINWEIS: Stellen Sie sicher, dass das Steuerventil auf die Funktion "Geschlossen" gestellt ist.

Montage

1. Klemmen Sie den Schlauch(25) vom Anschluss D ab.
2. Schließen Sie einen Schlauch(25) an den Anschluss C des Steuerventils an; schrauben Sie den Gewinding auf.
3. Schließen Sie das andere Ende des Schlauches(25) an den Einlauf A des Pools an.
4. Öffnen Sie das Anschlussventil.

HINWEIS: Weitere Informationen zur Installation des Anschlussventils finden Sie im Handbuch Ihres Pools.



Abschnitt V: Einsatz des Sandfilters

1. Nun ist der Sandfilter betriebsbereit. Stellen Sie das Steuerventil auf die Funktion „Filter“.

HINWEIS: Trocknen Sie sich selbst und den Sandfilter zur Vermeidung der Gefahr vor elektrischen Schlägen ab.

WICHTIG: Vergewissern Sie sich vor dem Vorgang, dass der Tank stabil auf der Tankhalterung steht und dass er korrekt mit der Pumpe verbunden ist.

2. Schalten Sie den Sandfilter ein, um ihn in Betrieb zu nehmen.

Anmerkung: Jetzt beginnt der Filterzyklus des Sandfilters. Überprüfen Sie das in den Pool zurückfließende Wasser und lesen Sie die Druckanzeige ab. Im Allgemeinen empfehlen wir während des Betriebs einen Sandfilterdruck von unter 0.56Bar (8.0PSI).

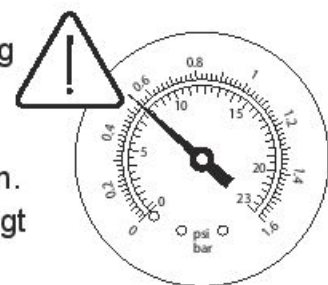


Wartung des Sandfilters

ACHTUNG: Stellen Sie sicher, dass der Sandfilter von der Stromversorgung getrennt ist, bevor Sie jegliche Wartungsarbeiten beginnen; andernfalls wird schwere oder tödlicher Verletzungen verursacht.

Da sich der Schmutz im Sandfilter ansammelt, steigt der angezeigte Druck an. Der Sand muss gereinigt werden, wenn der Druck über 0.56Bar (8.0PSI) steigt oder wenn der Wasserfluss in den Pool zu gering ist.

Befolgen Sie beim Reinigen des Sandbetts die im vorausgehenden



Abschnitt II; Abschnitt III angegebenen Anweisungen: Ausspülen

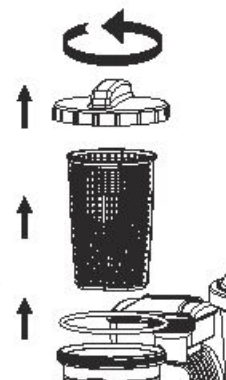
HINWEIS:

1. Der Druckmesser dient lediglich Wartungs-/Referenzzwecken und darf nicht als Präzisionsinstrument verwendet werden.
2. Wir empfehlen eine monatliche Reinigung des Sandbetts oder bei entsprechender Nutzung des Pools seltener. Reinigen Sie den Sand nicht zu häufig.

Reinigen des Siebs

1. Schalten Sie den Sandfilter aus und stellen Sie das Steuerventil auf die Funktion Geschlossen.
2. Ersetzen Sie das Schmutzsieb durch Verschlussstopfen, um einen Wasseraustritt zu vermeiden.
3. Entfernen Sie die Siebabdeckung durch Abschrauben.
4. Nehmen Sie das Sieb heraus und entfernen Sie alle Rückstände.
5. Bringen Sie das Sieb wieder an. Prüfen Sie, ob die Öffnung im Sieb ausgerichtet wurde.
6. Prüfen Sie, ob der Dichtring vorhanden ist. Schrauben Sie die Siebabdeckung wieder ein.
7. Entfernen Sie die Verschlussstopfen und setzen Sie die Schmutzsiebe ein.

HINWEIS: Das Sieb muss regelmäßig entleert und gesäubert werden. Ein verschmutztes oder verstopftes Sieb verringert die Leistung des Sandfilters.



Absenken des Wasserspiegels und Ablassen des Wassers

1. Ziehen Sie den Stecker des Sandfilters heraus und stellen Sie das Steuerventil auf die Funktion „Ablassen“.
2. Klemmen Sie den Schlauch vom Einlass A des Pools und vom Anschluss A des Sandfilters ab und an den Anschluss D an.
3. Schalten Sie den Sandfilter ein, um das Poolwasser abzulassen.

WARNUNG: LASSEN SIE DEN SANDFILTER NICHT TROCKEN LAUFEN.

Winterfest machen und längere Lagerung

In Zonen, in denen im Winter Frostgefahr besteht, muss die Pool-Ausrüstung winterfest gemacht werden, um sie gegen Beschädigungen zu schützen. Wenn das Wasser im Sandfilter gefriert, wird er beschädigt und der Gewährleistungsanspruch verfällt.

1. Spülen Sie den Sandfilter wie zuvor beschrieben aus.
2. Lassen Sie das Wasser gemäß den Anweisungen des Benutzerhandbuches für den Pool ab.
3. Öffnen Sie die Ablaufmutter unterhalb des Filterbehälters und lassen Sie das übrige Wasser ab.
4. Trennen Sie die beiden Schläuche von Schwimmbecken und Sandfilter.
5. Spülen Sie den Sand vollständig aus dem Behälter und trocknen Sie alle Bauteile.
6. Sandfilter aus dem Poolbereich entfernen und an einem trockenen, nicht im Freien befindlichen Ort und außerhalb der Reichweite von Kindern aufbewahren.

FEHLERBEHEBUNG

Probleme	Wahrscheinliche Ursachen	Lösungen
Sand fließt in den Pool	<ul style="list-style-type: none"> - Die Größe der Sandkörner ist zu gering - Einstellen des Regelventils von der Rückspül- auf die Filterfunktion, ohne den Sandfilter zu stoppen. - Die Füllhöhe des Sandes ist zu hoch - Der Abschäumer wurde beschädigt 	<ul style="list-style-type: none"> - Empfehlung: #20 Quarzsand 0,45-0,85mm - Stoppen Sie den Sandfilter jedes Mal, wenn die Einstellung des Regelventils verändert wird - Überprüfen Sie, ob die Füllhöhe des Sandes zwischen den Markierungen „MAX“ und „MIN“ an der Nabe liegt - Ersetzen Sie den Abschäumer
Kein Wasserfluss	<ul style="list-style-type: none"> - Verschlussstopfen wurden nicht entfernt - Das Regelventil wurde geschlossen - Das Sieb wurde verstopft - Sandfilter beschädigt 	<ul style="list-style-type: none"> - Entfernen Sie die Verschlussstopfen und setzen Sie die Schmutzsiebe ein. - Aktivieren Sie die Filterfunktion - Reinigen Sie das Sieb - Wenden Sie sich an den Kundendienst
Übermäßig hoher Filterdruck	<ul style="list-style-type: none"> - Verschmutzter Filter - Verkalktes Sandbett - Unzureichende Rückspülung - Der Druckmesser wurde beschädigt 	<ul style="list-style-type: none"> - Rückspülung - Überprüfen und Austauschen des Sandes, wenn erforderlich - Rückspülen, bis das abfließende Wasser klar ist - Ersetzen Sie den Druckmesser
Leckage des Regelventils an Anschluss D	<ul style="list-style-type: none"> - Das Regelventil wurde zwischen zwei Funktionen gestellt - Die Dichtung wurde beschädigt 	<ul style="list-style-type: none"> - Stellen Sie das Ventil auf eine Funktion - Ersetzen Sie die Dichtung
Leckage der Anschlüsse	<ul style="list-style-type: none"> - Dichtungsring der Anschlüsse nicht korrekt platziert - Dichtungsring der Anschlüsse beschädigt - Gelockerte Schläuche 	<ul style="list-style-type: none"> - Neupositionierung des Dichtungsring - Ersetzen Sie den Dichtungsring - Ziehen Sie die Schläuche fest

Eingeschränkte BESTWAY® Herstellergewährleistung

Das von Ihnen erworbene Produkt unterliegt einer eingeschränkten Gewährleistung. Bestway® steht hinter seiner Qualitätsgarantie und versichert, durch eine Austausch-Gewährleistung, dass Ihr Produkt frei von herstellungsbedingten Defekten ist, die zu Leckagen führen.

Die nachstehende Vorschrift ist nur in EU-Mitgliedstaaten gültig: Die gesetzliche Regelung der Richtlinie 1999/44/EG bleibt durch diese eingeschränkte Bestway Gewährleistung unberührt.

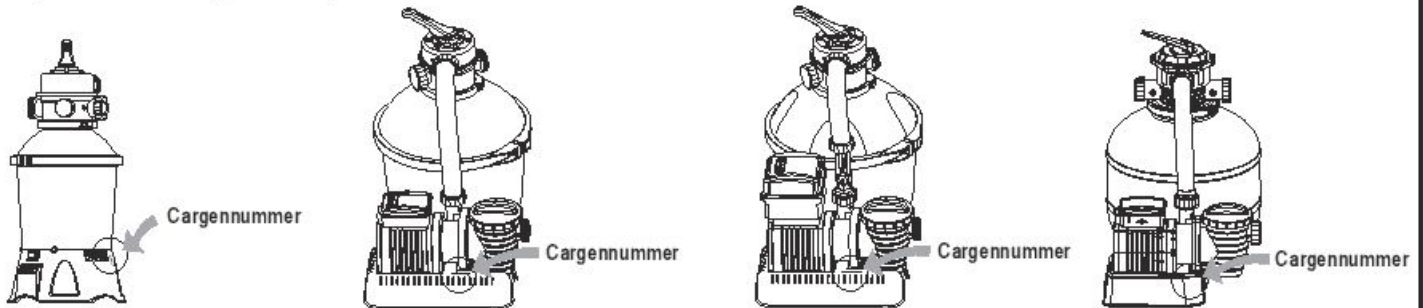
Die eingeschränkte Gewährleistung ist gültig: 12 Monate Garantie auf die Sandfilteranlage ab Kaufdatum.

Um Gewährleistungsansprüche geltend zu machen, muss dieses Formular ausgefüllt und mit einer Kopie Ihres Kaufbelegs versehen an Ihren lokalen Bestway Kundendienst (Bestway Aftersales Center) gesendet werden. Bitte kontaktieren Sie vor dem Versand Ihr lokales Bestway Aftersales Center, um detaillierte Auskünfte über die in Ihrem Fall benötigten Dokumente zu erhalten. Bestway® ersetzt keinerlei Produkte, die als nachlässig behandelt oder außerhalb der Richtlinien des Benutzerhandbuchs verwendet angesehen werden.

Die Bestway Gewährleistung deckt Herstellungsfehler ab, die während des Entpackens oder während des im Benutzerhandbuch empfohlenen Gebrauchs entdeckt werden. Diese Garantie erstreckt sich nur auf Produkte, die nicht von Drittparteien modifiziert wurden. Die Lagerung und die Handhabung des Produkts müssen entsprechend der technischen Empfehlungen erfolgen.

Diese Gewährleistung deckt keine Schäden ab, die durch Fehlgebrauch, Missbrauch oder Fahrlässigkeit verursacht wurden, inklusive, jedoch nicht beschränkt auf: Kollisionen, Feuer, inkorrekte Spannung, starke Hitze einwirkung, unsachgemäße Installation, unsachgemäße Verkabelung oder Prüfung, unsachgemäße Lagerung. Austausch und Reparaturen verlängern nicht die Dauer der Gewährleistung. Die eingeschränkte Gewährleistung gilt für den oben angegebenen Zeitraum und als Beginn des Gewährleistungszeitraums gilt ausschließlich das Datum des ursprünglichen Empfangs-/Kaufbelegs.

Bitte kopieren sie die Chargennummer, die sich auf dem Gehäuse des Sandfilters befindet.



Chargennummer: _____ Datum des Kaufbelegs: _____

AN: BESTWAY® KUNDENDIENST DATUM: _____ Kundennummer: _____

FAX/E-MAIL/TEL: Bitte beachten Sie die Hinweise für Ihr Land entsprechend der Informationen auf der Rückseite der Produktverpackung oder auf unserer Website: www.bestway-service.com

Bitte geben Sie Ihre vollständige Anschrift an. Hinweis: Unvollständige Adressdaten führen zu Versandverzögerungen.

Bestway behält sich das Recht vor, die Kosten für die erneute Lieferung nicht zugestellter Sendungen in Rechnung zu stellen, wenn dies durch einen Fehler des Empfängers verursacht wurde.

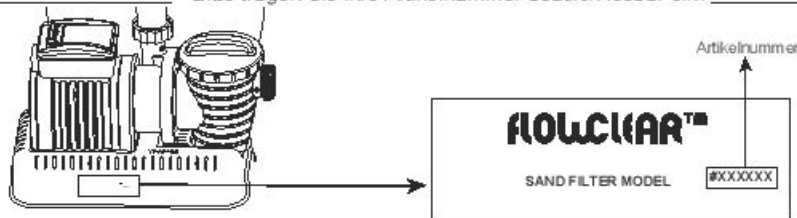
ERFORDERLICHE INFORMATIONEN – BITTE GEBEN SIE DIE LIEFERADRESSE AN

Name: _____ Anschrift: _____ Postleitzahl: _____

Land: _____ Stadt: _____ Mobil: _____

Telefon: _____ Fax: _____ E-MAIL: _____

Händler: _____ Bitte tragen Sie ihre Artikelnummer deutlich lesbar ein: _____



Sämtliche Zeichnungen dienen lediglich Illustrationszwecken. Nicht maßstabsgetreu.

Problembeschreibung

- Wasserleckage
- Funktionsstörung
- Artikel ist unvollständig: Welches Teil fehlt – Bitte tragen Sie die Artikelnummer ein, die in der Bedienungsanleitung angegeben ist. _____
- Sonstiges, bitte beschreiben _____

WICHTIG: ES WIRD LEDIGLICH DAS BESCHÄDIGTE TEIL AUSGETAUSCHT, NICHT DAS GESAMTE SET.

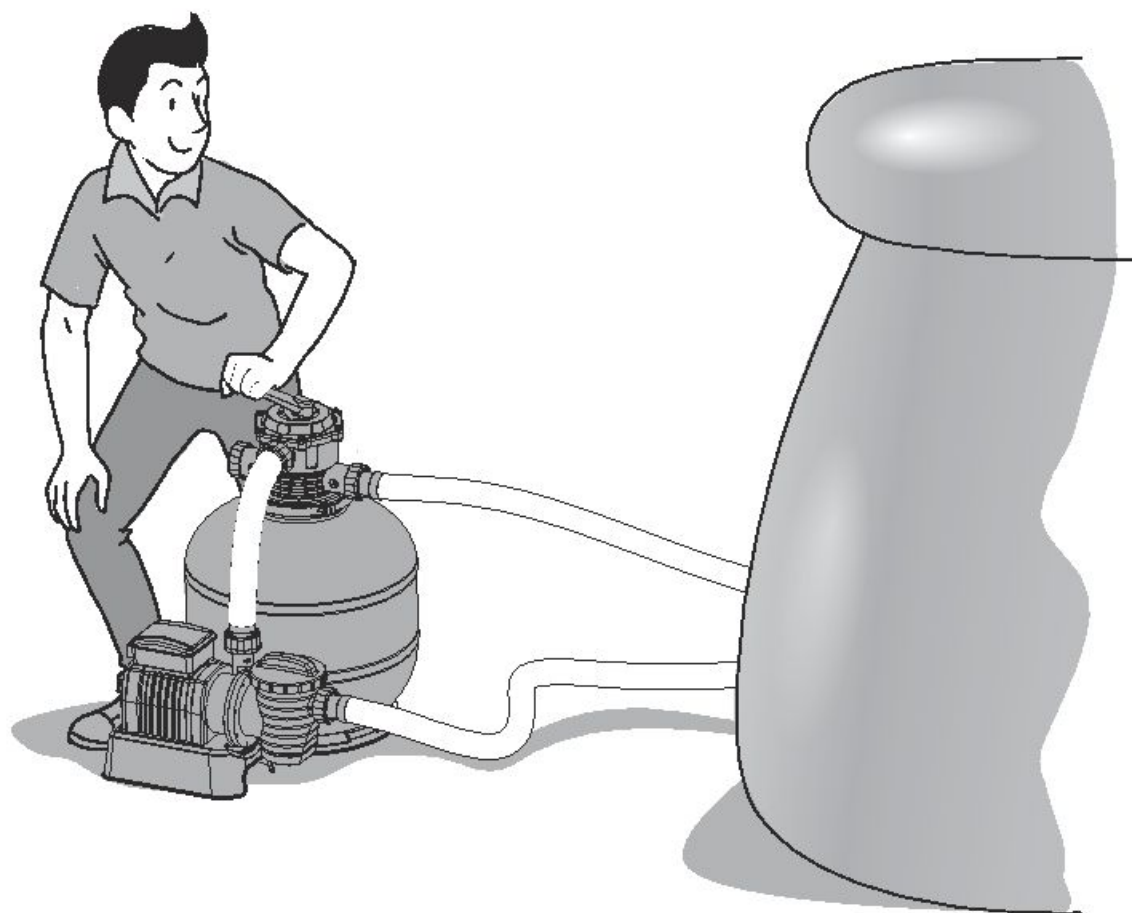
Bestway behält sich das Recht vor, fotografische Nachweise für defekte Teile oder die Zusendung des Artikels für weitere Prüfungen anzufordern. Um Ihnen bestmögliche Hilfestellung bieten zu können, bitten wir Sie um vollständige Angaben.

FÜR FAQ, HANDBÜCHER, VIDEOS ODER ERSATZTEILE BESUCHEN SIE BITTE UNSERE WEBSITE WWW.BESTWAY-SERVICE.COM.
VIDEOS SIND AUCH AUF UNSEREM BESTWAY CHANNEL BEI YOUTUBE ERHÄLTLICH:
<http://youtube.com/user/BestwayService>.

Bestway.

#58366

Hmax 1.5m Hmin 0.19m IPX5



FLOWCLEAR™ HIEKKASUODATIN OMISTAJAN OPAS

www.bestway-global.com

www.bestway-service.com



VAROITUS

TÄRKEITÄ TURVALLISUUSOHJEITA LUO KAIKKI TURVALLISUUSOHJEET JA NOUDATA NIITÄ.

Tätä sähkölaitetta asennettaessa ja käytettäessä tulee aina noudattaa perusvarotoimia, mukaan lukien seuraavat:

- Pumppu tulee suojata suojaerotusmuuntajalla tai vikavirtasuojalla (RCD), jonka toimintavirta ei ylitä 30 mA.
- Virtalähde rakennuksen seinässä on pidettävä yli 4 m:n päässä altaasta ja vähintään 1,2 m:n korkeudella.
- Laite on kytkettävä maadoitettuun virtalähteeseen.
- **SÄHKÖISKUN VAARA** - Pumpua ei voida käyttää, kun ihmisiä on altaassa. Kiellä pääsy ammeeseen hiekkasuodattimen vaurion tapauksessa.
- **ÄLÄ PEITÄ JOHTOA.** Paikallista johto, jotta ruohonleikkurit, pensasleikkurit tai muut laitteet eivät vahingoita sitä.
- Sähköiskun vaaran vähentämiseksi vaihda vahingoittunut johto välittömästi.
- Jos virtajohto on vahingoittunut, valmistajan, huoltoedustajan tai vastaavan pätevän henkilön tulee vaihtaa johto vaaran välttämiseksi.
- Jatkojohtoja ei saa käyttää.
- Sähköiskun vaara. Hiekkasuodattimen käyttäminen epäyhteensopivan virtalähteen kanssa on vaarallista ja vahingoittaa hiekkasuodatinta pysyvästi.
- Älä poista maadoitusnastaa tai muuta pistoketta millään tavalla. Älä käytä sovitinpistokkeita. Kysy pätevältä sähköteknikolta neuvoa kaikissa pistokkeisiin ja maadoituksen liittyvissä asioissa.
- Käsittele hiekkasuodatinta varovasti. Älä kanna tai vedä hiekkasuodatinta virtajohdosta. Älä koskaan vedä pistoketta pistorasiasta kiskaisemalla johdosta. Älä altista johtoa hankaukselle. Älä koskaan altista hiekkasuodatinta teräville esineille, öljylle tai lämmölle.
- Irrota tuotteen pistoke aina virtalähteestä ennen kuin siirät, puhdistat, huollat tai säädät tuotetta millään tavalla.
- Älä kytke laitetta virtalähteeseen tai irrota sitä virtalähteestä, kun kätesi ovat märät.
- Irrota laite virtalähteestä aina:
 - sateella
 - ennen puhdistusta ja muuta kunnossapitoa
 - jos allas jätetään vartioimatta lomakausien ajaksi
- Kun uima-allasta ei käytetä pitkään aikaan (esimerkiksi talvella), se tulisi purkaa osiin varastoida sisätiloihin.
- **Varoitus:** Lue ohjeet aina ennen tuotteen käyttöä ja asennusta/uudelleenasennusta.
- Ohjeiden säilytys. Joka kerta kun kokoat altaan uudestaan, lue aina ohjeet.
- Jos ohjeet puuttuvat, ota yhteyttä Bestwayhin tai hae ne verkkosivustolta: www.bestway-service.com.
- Sähköasennusten on noudatettava kansallisia johdotussääntöjä. Tarvittaessa kysy neuvoa ammattitaitoiselta sähköasentajalta.

HUOMAUTUS: Tämä hiekkasuodatin on tarkoitettu käytettäväksi vain varastoitavien altaiden kanssa. Älä käytä sitä pysyvästi asennettujen altaiden kanssa. Varastoitava allas on rakennettu niin, että se on helppo purkaa varastointia varten ja koota uudelleen alkuperäiseen muotoon. Pysyvästi asennettu allas on rakennettu maan sisään tai päälle tai rakennukseen siten, että sitä ei voi helposti purkaa varastointia varten.

- Tätä laitetta saa käyttää yli 8-vuotiaat lapset ja henkilöt, joiden fyysiset, aistinvaraiset tai henkiset kyvyt ovat heikentyneet tai joilta puuttuu kokemus ja taidot, mikäli heitä on neuvottu ja ohjeistettu laitteen käyttöön turvallisella tavalla ja he ymmärtävät siihen liittyvät vaarat. Lapset eivät saa leikkiä laitteella. Puhdistusta ja käyttäjän tekemää huoltoa ei saa jättää lasten tehtäväksi ilman valvontaa. (EU:ta varten)
- Tämä tuote ei ole tarkoitettu seuraavien ryhmien käyttöön: lapset ja fyysisistä, henkisistä tai aistirajoitteista kärsivät tai kokemattomat tai tietotasoltaan rajoitetut henkilöt. Kyseiset henkilöt voivat kuitenkin käyttää tuotetta, jos he ovat saaneet opastusta tai ohjeita tuotteen turvalliseen käyttöön

henkilöltä, joka on vastuussa heidän turvallisuudestaan. Lapsia tulee valvoa sen varmistamiseksi, että he eivät leiki tällä laitteella. (EU:n ulkopuoliset markkinat)

- Tuotteen saa huoltaa ja puhdistaa vain yli 18-vuotias aikuinen, joka ymmärtää sähköiskun vaarat.

MUISTUTUS:

- Aseta hiekkasuodatin lujalle, tasaiselle alustalle. Varmista, että hiekkasuodatin on vähintään 2 metrin päässä altaan reunasta. Pidä etäisyys niin pitkänä kuin mahdollista.
- Sijoita allas ja hiekkasuodatin niin, että käytettävissä on riittävä ilmastointi, viemärointi ja riittävästi tilaa huoltotöille. Älä koskaan sijoita hiekkasuodatinta alueelle, johon voi kertyä vettä, tai kävelyreitille.
- Pistokkeen on oltava tavoitettavissa altaan asennuksen jälkeen. Hiekkasuodattimen pistokkeen tulee olla vähintään 3,5m:n päässä altaasta.
- Ilmasto-olot voivat vaikuttaa hiekkasuodattimen käyttöikään ja toimintaan. Suorita riittävät varotoimet hiekkasuodattimen suojaamiseksi kuuman tai kylmän ilman ja/tai auringolle altistumisen aiheuttamalta kulumiselta.
- Varmista ennen käyttöä, että kaikki hiekkasuodattimen osat ovat mukana. Ilmoita tässä oppaassa ilmoitettuun Bestwayn asiakaspalvelun osoitteeseen, jos ostetussa tuotteesta on puuttunut osia tai jotkin osat ovat olleet vahingoittuneita ostohetkellä.
- Heikenneet osat on ehdottomasti vaihdettava niin pian kuin mahdollista. Käytä vain valmistajan hyväksymiä osia.
- Älä anna lasten tai aikuisten nojata laitteeseen tai istua sen päällä.
- Älä lisää hiekkasuodattimeen kemikaaleja.
- Käytettäessä kemikaaleja allasveden puhdistamiseksi suositellaan noudatettavaksi minimisuodatusaika uimareiden terveyden suojaamiseksi terveysäädösten mukaisesti.
- Vain valmistajan tarjoamia tai määrittämiä välineitä on tarkoitus käyttää tuotteen asennukseen.
- On tärkeää tarkistaa, että imuaukot eivät ole tukossa.
- On suositeltavaa lopettaa suodatus suodatusjärjestelmän huoltotoimenpiteiden aikana.
- Seuraa säännöllisesti suodattimen tukkeutumistasoa.
- Viikoittaista tarkastusta koskien paluuvesipesua tai puhdistusta suositellaan. Pienin suositeltu päivittäinen suodatuksen käyttöaika on 8 tuntia, jotta varmistetaan altaan kirkas vesi.
- Vaurioituneiden osien tai osasarjojen vaihto mahdollisimman pian on tärkeää. Käytä vain tuotteen markkinoille saattamisesta vastuussa olevan henkilön hyväksymiä osia.
- Kaikki suodattimet ja suodatinmateriaalit on tarkastettava säännöllisesti, jotta voidaan varmistaa, ettei hyvän suodatuksen estävää jätettä ole kertynyt. Kaikkien käytettyjen suodatinmateriaalien hävittämisen on tapahduttava asiaankuuluvien määräysten/lainsäädännön mukaisesti.
- Ota huomioon kaikki käyttöoppaassa kuvatut turvallisuusvaatimukset ja -suositukset. Jos olet epävarma pumpun tai jonkin kierrätysjärjestelmän laitteen suhteen, ota yhteyttä valtuutettuun asentajaan tai valmistajaan/maahantuojaan/jälleenmyyjään. Veden kierron asennuksen on täytettävä EU:n sekä kansalliset/paikalliset määräykset, varsinkin kun kyse on sähköön liittyvistä kysymyksistä. Kaikki venttiilin asennon, pumpun koon ja säleikön koon muutokset voivat aiheuttaa virtauksen muutoksen ja imunopeus voi kasvaa.
- Tätä tuotetta ei ole tarkoitettu kaupalliseen käyttöön.

Lue käyttöohje huolellisesti ja säilytä se myöhempiä tarvetta varten.

SÄILYTÄ NÄMÄ OHJEET

HÄVITTÄMINEN



Yliviivatun roskasäiliön merkitys:

Älä hävitä sähkölaitteita sekajätteen mukana. Toimita ne ongelmajätekeräykseen.

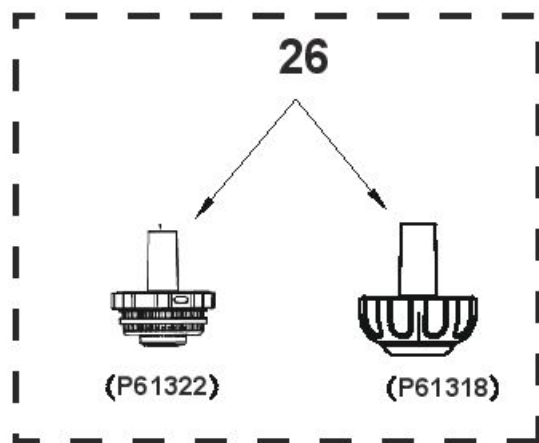
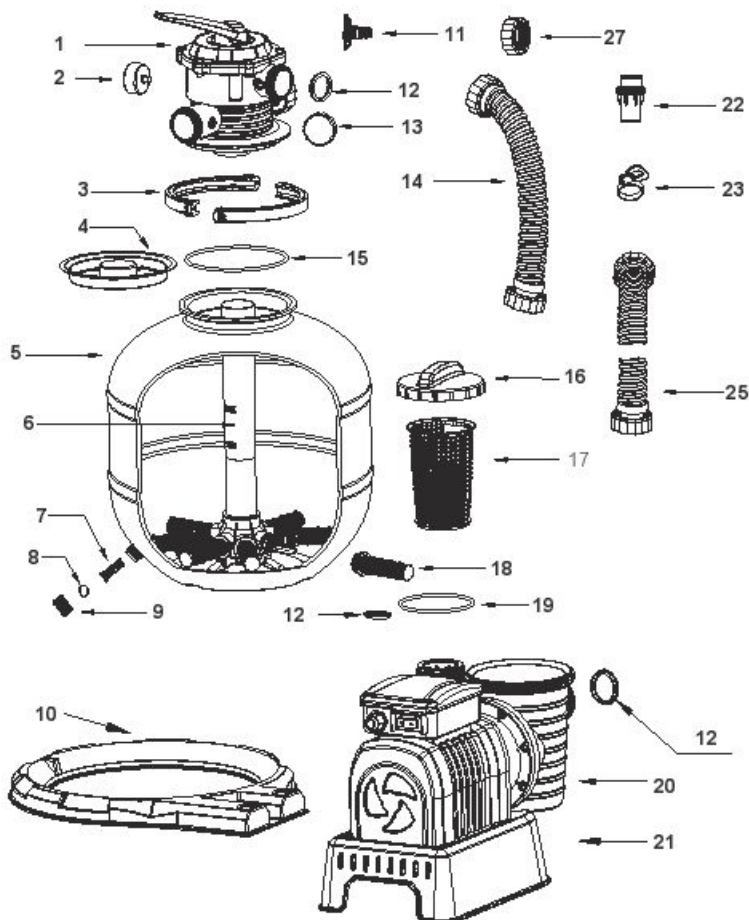
— Kysy keräysjärjestelmästä paikallisilta viranomaisilta.

Jos sähkölaitteita joutuu kaatopaikalle, myrkyllisiä aineita voi vuotaa pohjaveteen ja joutua ravintoketjuun vahingoittaen ihmisten terveyttä ja hyvinvointia.

Vaihdettaessa vanhoja laitteita uusiin, myyjällä on lakisääteinen velvollisuus ottaa vanha laite vähintäänkin ilmaiseksi hävitettäväksi.

OSAT

Tutustu hetki kaikkien osiin ennen kuin kokoat hiekkasuodattimen.

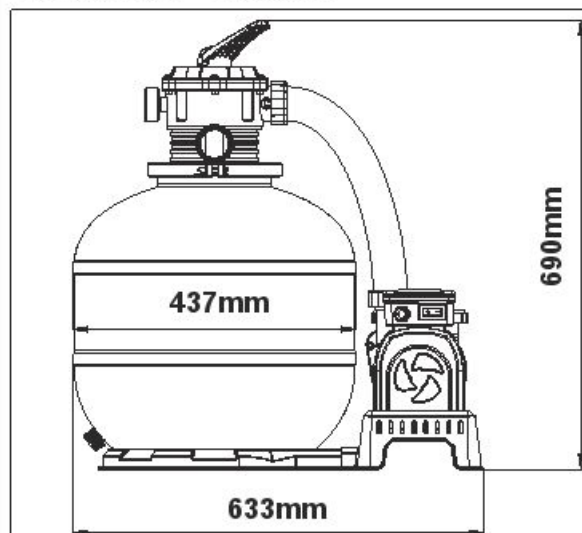


VIITENRO	KUVAUS	MÄÄRÄ	VARAOSAN NRO
1	Ohjausventtiili	1	P61204
2	Painemittari	1	P61138
3	Laipan kiinnitin	2	P61205
4	Navan suoja	1	P61209
5	Säiliö	1	P61213
6	Napa	1	P61206
7	Saastepatruuna	1	P61211
8	Tyhjennysputken tiivisterengas	1	P6581
9	Tyhjennysventtiilin korkki	1	P6580
10	Säiliön pohja	1	P61212
11	Puutarhaletkun sovitin	1	P6614
12	Tiivisterengas	1	P6029
13	Liittimen D tulppa	5	P6540
14	Putkisto	1	P6560
15	O-rengas	1	P61214
16	Siivilän suojus	1	P6561
17	Siivilä	1	P6562
18	Suodatinpatruuna	8	P61210
19	Tiivisterengas	1	P6563
20	Pumppu	1	P61207
21	Pumppu (vain Isossa-Britanniassa)	1	P61207GB
22	Adapteri	2	P6916
23	Letkunkiristin	2	P6124
27	Sovitinmutteri	1	P6615

Valinnaiset osat

25	Letku (Φ38mm 3M)	2	P6028
26	Roskasuodatin	1	P61322
	Roskasuodatin	1	P61318

TEKNISET TIEDOT



Suodattimen läpimitta:	437mm
Tehokas suodatuspinta-ala:	0.150m ² (1.61ft ²)
Suurin käyttöpaine:	1.58Bar (23PSI)
Toimivan hiekkasuodattimen paine:	<0.56Bar (8PSI)
Korkein veden lämpötila:	35°C
Hiekka:	Não incluída
Hiekan karkeus:	Areia silica #20, 0.45-0.85mm
Hiekan määrä:	Aproximadamente 35 kg

SÄÄTÖVENTTIILIN YLEISKATSAUS

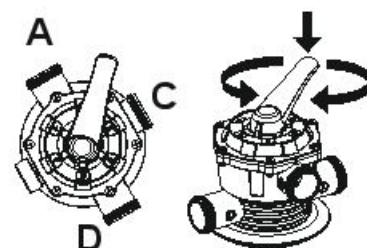
VAROITUS: Laitteen vahingoittumisen ja vammojen välttämiseksi irrota aina hiekkasuodattimen pumppu virtalähteestä ennen kuin muutat säätöventtiilin toimintoa. Säätöventtiilin asennon vaihtaminen pumpun käydessä voi vahingoittaa säätöventtiiliä, mikä voi aiheuttaa henkilö- tai omaisuusvahingon.

Säätöventtiilin käyttö

Paina säätöventtiilin vipu alas ja kierrä sitä haluamaasi suuntaan.

SÄÄTÖVENTTIILIN TOIMINNOT

Säätöventtiilillä voi valita 6 eri suodatintointoa: Suodata, Huuhtele, Kierrätä, Pese, Suljettu ja Tyhjennä.



▶ Suodata: Tällä toiminnolla suodatetaan altaan vettä ja venttiilin pitäisi olla tässä asennossa 99% ajasta. Vesi pumpataan hiekkasuodattimen läpi, jossa se puhdistuu, ja takaisin altaaseen.

⌚ Kierrätä: Tämä toiminto kierrättää allasvettä ohittamalla hiekkasuodattimen. Käytä tätä toimintoa, jos hiekkasuodatin on rikki kerätäksesi roskat roskasuodattimiin.

⏪ Pese: Tällä toiminnolla puhdistetaan hiekka. Vesi pumpataan alas liitäntäkeskiön läpi, ylöspäin hiekan läpi ja poistetaan liitännän D kautta.

⏩ Tyhjennä: Tämä toiminto tyhjentää veden altaasta. Tämäkin toiminto ohittaa suodattimen. Vesi pumpataan ja poistetaan liitännästä C palauttamatta sitä altaaseen.

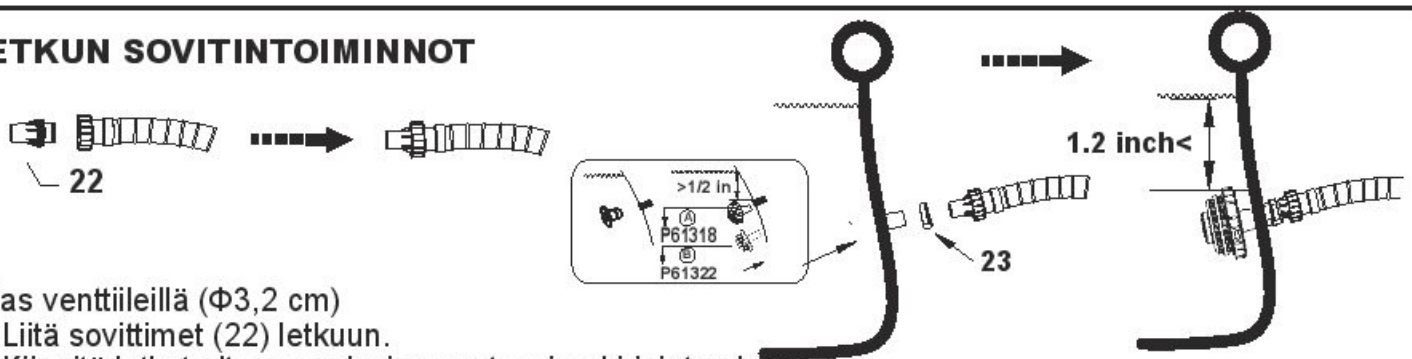
💧 Huuhtele: Tätä toimintoa käytetään ensikäynnistyksen yhteydessä, puhdistukseen ja hiekan tasaamiseen pesun jälkeen. Vesi pumpataan alaspäin hiekan läpi, ylös liitäntäkeskiön läpi ja poistetaan liitännän D kautta.

✘ Suljettu: Tämä toiminto estää veden virtauksen hiekkasuodattimen ja altaan välillä.

MUISTUTUS:

- Varmista, että asennus noudattaa kaikkia paikallisia ja kansallisia jäteveden käsittelyä koskevia määräyksiä. Älä poista vettä siten, että se aiheuttaa tulvan tai vahinkoa.
- Kun ohjausventtiili on asennossa Pese, Huuhtele tai Tyhjennä, vesi poistuu säätöventtiilin liitännästä D.
- Älä kytke säätöventtiiliä pistorasiaan tai käytä sitä sen ollessa Suljettu-asennossa. Muuten se vahingoittaa vakavasti hiekkasuodatinta.
- Jos jätät säätöventtiilin kahden toimintoasennon väliin, se vuotaa.
- Vuotojen välttämiseksi ruuvaa liitännän D korkki säätöventtiilin liitäntään D ennen kuin käytät hiekkasuodatinta.

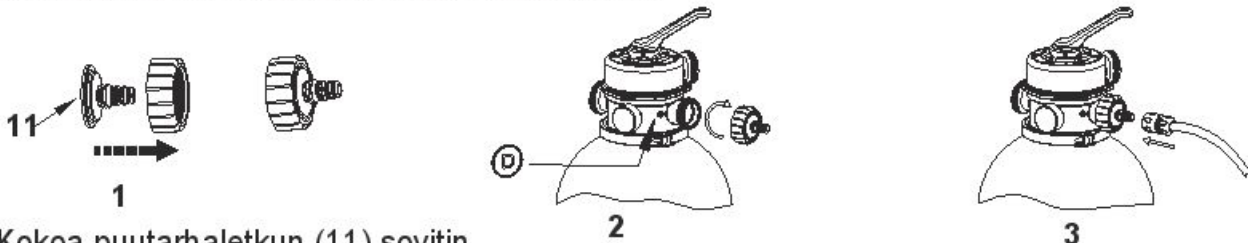
LETKUN SOVITINTOIMINNOT



Allas venttiileillä (Φ3,2 cm)

- 1) Liitä sovittimet (22) letkuun.
- 2) Kiinnitä letkut altaassa olevien vastaavien kirjainten kohdalle.
- 3) Kiinnitä letkut hiekkasuodattimeen painamalla letkun kiinnitin pumpun porttiin. Ruuvaa kierteiset lukitusrenkaat paikalleen. Varmista, että kirjaimet hiekkasuodattimessa tulevat vastaavien kirjainten kohdalle (A - A, B - B).
- 4) Poista pysäytintulpat altaan syöttö- ja lähtöventtiileistä ja laita roskasuodattimet paikoilleen (26).
- 5) Kun letkut ja roskasuodattimet(26)ovat paikoillaan, kiristä letkun pinteet (23).

PUUTARHALETKUN SOVITINTOIMINNOT



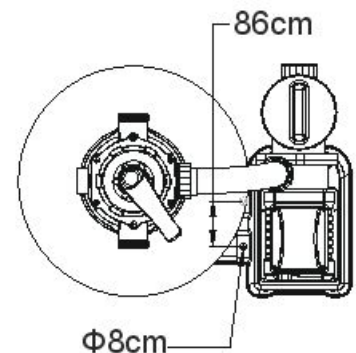
1. Kokoa puutarhaletkun (11) sovitin.
2. Ruuvaa puutarhaletkun (11) sovitin hiekkasuodattimen porttiin D.
3. Kiinnitä puutarhaletku puutarhaletkun (11) sovittimeen.

HUOMAA:

1. Puutarhaletkun (11) sovittinta voidaan käyttää vain tyhjennykseen, ja se voidaan koota vain hiekkasuodattimen porttiin D.
2. Kytke hiekkasuodatin aina pois ja irrota se ennen puutarhaletkun (11) sovittimen kokoamista ja aseta ohjausventtiili suljettuun asentoon.
3. Varmista, että tiivisterengas on paikallaan ennen puutarhaletkun (11) sovittimen kokoamista.

Osa I: Kokoaminen (Tarvitset ristipäämeisselin.)

1. Poista huolellisesti kaikki osat pakkauksesta ja tarkista, että mikään ei ole vahingoittunut. Jos laite on vahingoittunut, ilmoita välittömästi liikkeeseen, josta laite on ostettu.
2. Hiekkasuodatin tulee asettaa lujalle, tasaiselle alustalle, mieluiten betonilaatalle. Sijoita hiekkasuodatin siten, että liitännät ja säätöventtiili ovat tavoitettavissa käyttöä, huoltoa ja talvikäsittelyä varten.
3. Standardi EN 60335-2-41 edellyttää, että hiekkasuodatin asennetaan pystysuoraan maahan tai tietynlaiselle, puusta tai betonista tehdyille, alustalle ennen käyttöä, jotta se ei pääse kaatumaan. Täysin koottu hiekkasuodatin painaa yli 18kg. Kiinnitysreikien tulee olla 8mm läpimitaltaan ja sijaita 86mm:n päässä toisistaan. Kiinnitä hiekkasuodatin jalustaan kahdella pultilla ja mutterilla, joiden läpimitta on enintään 8mm.

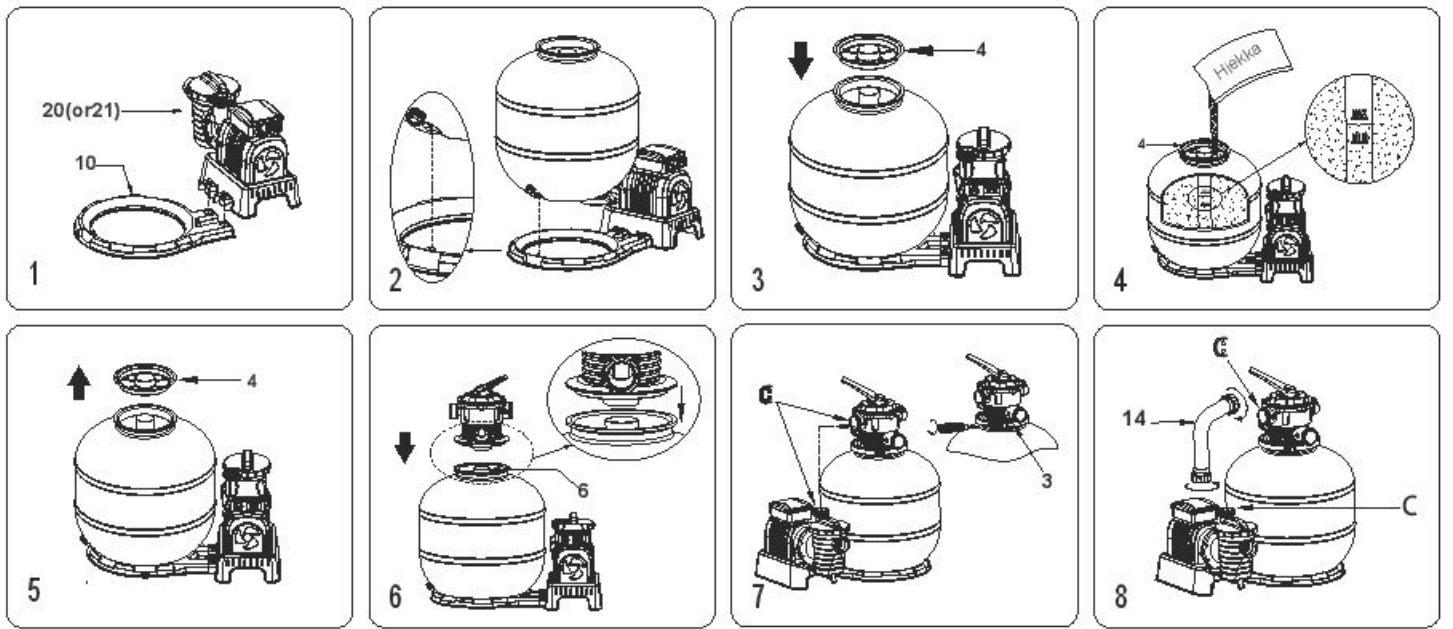


Täytä allaslaatuiseella suodatinhiekkalla.

MUISTUTUS: Käytä vain erityistä allaslaatuista suodatinhiekkää, joka ei sisällä kalkkia tai savea: Koon #20 piihiekkää, 0,45–0,85mm, noin 35kg:n pussi riittää. Jos et käytä suositeltua hiekkasuodattimen kokoa, suodatusteho voi heikentyä ja hiekkasuodatin vaurioitua ja siten mitätöidä takuun.

MUISTUTUS: Jotta et vahingoittaisi kuorijaa hiekkää lisätessäsi, kaada hieman vettä alasäiliöön niin, että se peittää kuorijan keskiöllä.

MUISTUTUS: HIEKKA EI SISÄLLY PAKKAUKSEEN.



1. Aseta säiliön pohja oikeaan paikkaan kohdistamalla reikä.
2. Aseta säiliö oikeaan paikkaan säiliön pohjaan.
3. Aseta suodattimen suojus paikalleen(4).
4. Lisää hiekkaa hitaasti, ettei hiekka vahingoita navassa olevaa kuorijaa, kunnes hiekka yltyä "MAX"- ja "MIN"-merkintöjen välille. #20 lietteetön kvartsihiekkä 0,45–0,85 mm, noin 35 kg.
5. Irrota suodattimen suojus (4).
6. Laske ohjausventtiili säiliön päälle hitaasti ja varmista, että ohitusputki, joka työntyy esiin ohjausventtiilin alta, sopii tukevasti keskiöön (6).
7. Varmista, että ohjausventtiilin C-portti osuu pumpun C-porttiin.Kiinnitä ylälaipan kiinnitin(3) ja kierrä se paikalleen.
8. Kiinnitä putki(14) pumpun C-porttiin ja ohjausventtiilin C-porttiin, ja kierrä kierteiset lukitusrenkaat paikoilleen.Varmista, että tiivistysrenkas on kunnolla paikallaan putken(14) molemmissa päissä.

Osa II: Letkujen asennus pesua ja huuhtelua varten

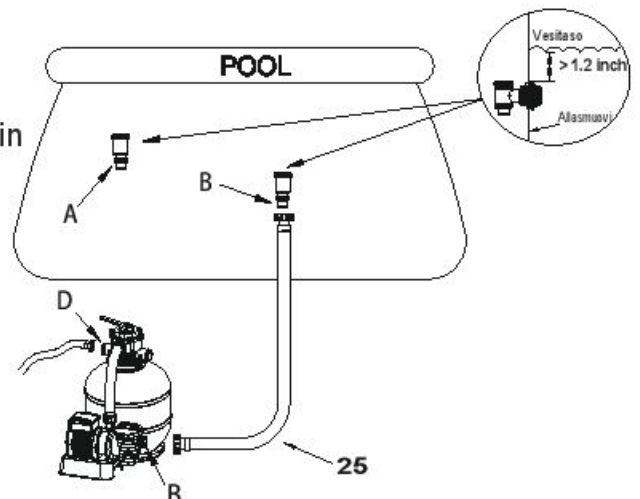
MUISTUTUS: Varmista, että säätöventtiili on Suljettu-asennossa.

Allas tulee täyttää vedellä, varmista, että molemmat altaiden roska-suodattimet ovat täysin veteen upotettuja.

1. Kytke yksi letku (25) hiekkasuodattimen porttiin B; kierrä kierteinen lukitusrenkas paikalleen.
2. Ruuvaa letkun (25) toinen pää portin B kytkentäventtiiliin ja kierrä kierteinen lukitusrenkas paikalleen.
3. Avaa kytkentäventtiili.

MUISTUTUS: Voit katsoa altaan käyttöoppaasta liitännän arvon ja asennusohjeet.

4. Ruuvaa toinen letku porttiin D ja aseta vastakkainen pää tyhjennysalueelle.



Osa III: Pesu ja huuhtelu

Pesu ja huuhtelu pitää suorittaa pumpun valmistelemiseksi ensi käyttöä varten ja hiekan pesemiseksi.

HUOMAUTUS: ÄLÄ KUIVAKÄYTÄ HIEKKASUODATINTA

1. Paina säätöventtiilin vipu alas ja kierrä se Pese-asentoon.
2. Aseta pistoke vikavirtasuojaan, kytke sen jälkeen hiekkasuodatin päälle ja anna hiekkasuodattimen käydä 3–5 minuuttia, tai kunnes vesi on kirkasta.
3. Irrota hiekkasuodatin pistorasiasta ja aseta säätöventtiili Huuhtele-asentoon.
4. Kytke pistoke ja käytä hiekkasuodattinta 1minuutin ajan. Tämä kierrättää vettä taaksepäin hiekkasuodattimen läpi ja poistaa veden liitännästä D.
5. Irrota hiekkasuodattimen pistoke pistorasiasta. Aseta säätöventtiili Suljettu-asentoon.
6. Täytä allas vedellä.

TÄRKEÄÄ: Tämä toimenpide poistaa altaasta vettä, joka on korvattava uudella vedellä. Irrota hiekkasuodattimen pistoke välittömästi, jos altaan veden pinta lähestyy tulo- ja lähtöventtiiliä.
ÄLÄ KUIVAKÄYTÄ HIEKKASUODATINTA.

Osa IV: Hiekkasuodattimen asennuksen päättäminen

Liitä toinen letku

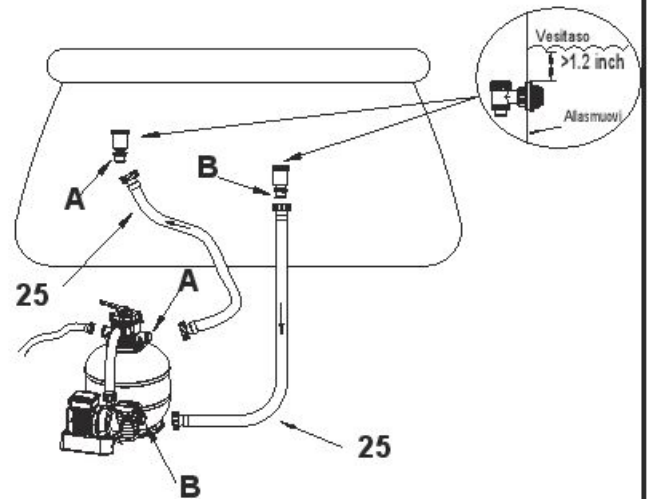
MUISTUTUS: On tarkastettava, että hydrauliliittimet eivät tukkeudu.

MUISTUTUS: Varmista, että säätöventtiili on Suljettu-asennossa.

Asennus

1. Irrota letku (25) liitännästä D.
2. Liitä letku(25) säätöventtiilin liitäntään A. Ruuvaa kierteinen lukkorengas paikalleen.
3. Liitä letkun(25) toinen pää altaan lähtöön A.
4. Avaa liitäntäventtiili.

MUISTUTUS: Voit katsoa altaan käyttöoppaasta liitännän arvon ja asennusohjeet.



Osa V:

Hiekkasuodattimen käyttö

1. Hiekkasuodatin on nyt valmis käytettäväksi. Aseta säätöventtiili Suodata-asentoon.

MUISTUTUS: Sähköiskun vaaran välttämiseksi kuivaa ylimääräinen vesi itsestäsi ja hiekkasuodattimesta.

TÄRKEÄÄ: Tarkista ennen käyttämistä, että tankki on tukevasti paikallaan pohjan päällä ja liitetty oikein pumppuun.

2. Kytke päälle hiekkasuodatin sen käyttämiseksi.

MUISTUTUS: Hiekkasuodatin on nyt käynnistännyt suodatusjakson. Tarkista, että vesi palaa altaaseen ja huomioi suodattimen paine painemittarista. Yleisesti suositeltu hiekkasuodattimen paine on alle 0.56Bar (8.0PSI) sen ollessa käynnissä.



Hiekkasuodattimen huolto

HUOMAUTUS: Varmista aina, että hiekkasuodatin on kytketty pois päältä ja pistoke on irrotettu ennen huollon aloittamista välttääksesi vammoihin tai kuolemaan johtava vaaratilanne.

Lian kerääntyessä hiekkasuodattimeen, painemittarin lukema kasvaa. Kun painemittarin lukema on 0.56Bar (8.0PSI) tai suurempi, tai veden virtaus altaaseen on liian vähäistä, on aika puhdistaa hiekka.

Puhdista hiekka noudattamalla kaikkia edellisessä **osan II; osan III kohdassa Pesu ja huuhtelu annettuja ohjeita.**



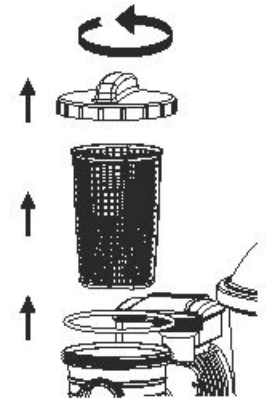
MUISTUTUS:

1. Painemittari on vain huoltoa varten, ja painemittarin arvo on vain viitteellinen, sitä ei tule käyttää täsmäväliseenä.
2. Suosittelemme, että puhdistat hiekkakerroksen kerran kuukaudessa tai harvemmin riippuen siitä, kuinka usein allasta käytetään. Älä puhdista hiekkaa liian usein.

Siivilän puhdistus

1. Irrota hiekkasuodatin pistorasiasta ja aseta säätöventtiili suljettu-asentoon.
2. Aseta jätenäyttöjen tilalle tulpat estääksesi vettä karkaamasta.
3. Poista sihdin suojus ruuvaamalla se irti.
4. Irrota siivilä ja poista kaikki roskat.
5. Aseta siivilä takaisin paikalleen. Varmista, että siivilän reikä on kohdistettu oikein.
6. Varmista, että tiivisterengas on paikallaan. Ruuvaa sihdin suojus takaisin.
7. Poista tulpat ja aseta jätenäytöt.

MUISTUTUS: Siivilä on tyhjennettävä ja puhdistettava säännöllisesti. Likainen tai tukkeutunut siivilä heikentää hiekkasuodattimen toimintaa.



Altaan veden laskeminen tai tyhjentäminen

1. Irrota hiekkasuodatin pistorasiasta ja aseta säätöventtiili Tyhjennä-asentoon.
2. Irrota letku altaan tulosta A ja hiekkasuodattimen liitännästä A ja liitä liitäntään D.
3. Kytke hiekkasuodatin päälle altaan tyhjentämiseksi vedestä.

VAROITUS: ÄLÄ KUIVAKÄYTÄ HIEKKASUODATINTA.

Talvisäilytys ja pitkäaikainen säilytys

Alueilla, joissa lämpötila laskee pakkasen puolelle, allaslaitteet on käsiteltävä talvea varten, jotta ne eivät vahingoitu. Jos vesi päästetään jäätymään, se vahingoittaa hiekkasuodatinta ja mitätöi takuun.

1. Pese hiekkasuodatin, kuten edellä kuvataan.
2. Tyhjennä allas noudattaen altaan omistajan oppaan ohjeita.
3. Avaa tyhjennysmutteri säiliön pohjalla ja poista jäljelle jäänyt vesi.
4. Irrota molemmat letkut altaasta ja hiekkasuodattimesta.
5. Tyhjennä hiekka täysin säiliöstä ja kuivaa kaikki osat.
6. Säilytä hiekkasuodatinta erikseen kuivassa paikassa sisätiloissa lasten ulottumattomissa.

VIANMÄÄRITYS

Ongelmat	Mahdolliset syyt	Ratkaisut
Hiekkaa valuu altaaseen	<ul style="list-style-type: none">- Hiekka on liian hienoa- Säätöventtiiliä on siirretty vastavirtahuuhtelusta suodatintoihin pysäyttämättä hiekkasuodatinta- Hiekan pinta on liian korkealla- Reikäkauha on rikkoutunut	<ul style="list-style-type: none">- Suosittelemme 0,45-0,85 mm:n #20-kvartsihiekkää- Pysäytä hiekkasuodatin joka kerta, kun säädät säätöventtiiliä- Tarkista, onko hiekan pinta navan "MAX"- ja "MIN"-merkintöjen välissä- Vaihda reikäkauha
Vesi ei virtaa	<ul style="list-style-type: none">- Sulkutulppia ei ole poistettu- Säätöventtiili on kiinni-asennossa- Suodatin on tukossa- Hiekkasuodatin rikki	<ul style="list-style-type: none">- Poista sulkutulpat, ja aseta rokkasuodattimet paikoilleen.- Valitse suodatintoihin- Puhdista suodatin- Soita huoltoon
Liian suuri paine suodattimessa	<ul style="list-style-type: none">- Likainen suodatin- Kalkkeutunut hiekkakerros- Riittämätön vastavirtahuuhtelu- Painemittari rikki	<ul style="list-style-type: none">- Tee vastavirtahuuhtelu- Tarkista hiekka ja vaihda tarvittaessa- Jatka vastavirtahuuhtelua, kunnes ulos virtaava vesi on kirkasta- Vaihda painemittari
Säätöventtiili vuotaa portista D	<ul style="list-style-type: none">- Säätöventtiili on asetettu kahden toiminnon välille- Tiiviste on rikkoutunut	<ul style="list-style-type: none">- Valitse yksi toiminto- Vaihda tiiviste
Liittimet vuotavat	<ul style="list-style-type: none">- Liitinten tiivistysrenkas ei paikallaan- Liitinten tiivistysrenkas rikki- Letkuja irrallaan	<ul style="list-style-type: none">- Aseta tiivistysrenkas paikalleen- Vaihda tiivistysrenkas- Kiristä ne

Rajoitettu BESTWAY® Valmistajan takuu

Ostamallasi tuotteella on rajoitettu takuu. Bestway® seisoo laatutakuunsa takana ja vakuuttaa vaihtotakuulla, että tuotteessasi ei ole vuotoja aiheuttavia valmistusvirheitä.

Seuraava säännös on voimassa vain Euroopan unionin jäsenvaltioissa: tämä BESTWAYN rajoitettu takuu ei vaikuta direktiivin 1999/44/EY säännöksiin.

Rajoitettu takuu on voimassa: 1 vuoden takuu lämmittimelle ostopäivästä lukien.

Tee takuuvaade täyttämällä tämä lomake ja toimittamalla ostokuitin kopio paikalliseen Bestwayn jälkimyyntikeskukseen. Ota yhteyttä paikalliseen Bestwayn jälkimyyntikeskukseen, ennen kuin lähetät mitään asiakirjoja. He antavat täydelliset ohjeet vaadettasi varten. Bestway® ei korvaa tuotteita, jotka katsotaan huonosti hoidetuiksi tai omistajan käyttöoppaan ohjeiden vastaisesti käytetyiksi.

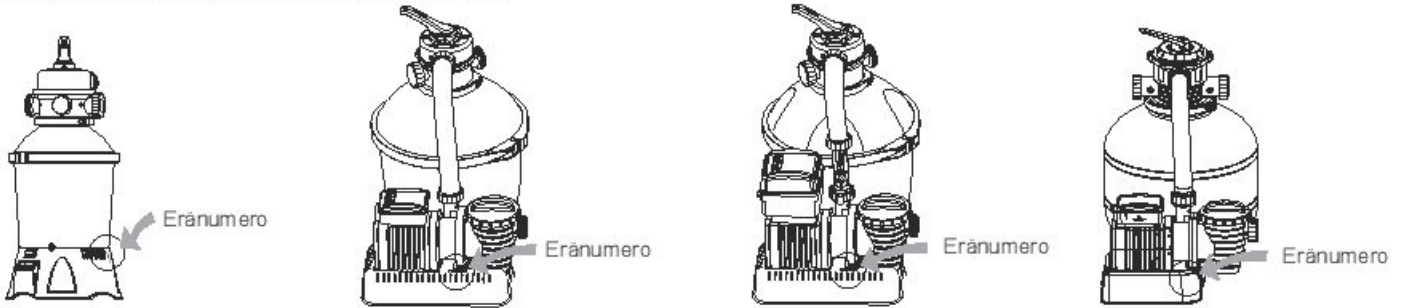
Bestway takuu kattaa valmistusvirheet, jotka on havaittu purettaessa tuotetta pakkauksesta tai käytettäessä tuotetta käyttöoppaan suosittelemalla tavalla.

Tämä takuu soveltuu vain tuotteisiin, joita mikään kolmas osapuoli ei ole muokannut. Tuotetta on säilytettävä ja käsiteltävä teknisten suositusten mukaisesti.

Takuu ei kata vaurioita, jotka ovat aiheutuneet virheellisestä käytöstä tai väärinkäytöstä, laiminlyönnistä mukaan lukien mutta niihin rajoittumatta törmäys, tulipalo, virheellisen jännitteen käyttö, liiallinen lämpöaltistus, virheellinen asennus, virheellinen johdotus tai testaus, virheellinen säilytys.

Tuotteiden vaihdot ja korjaukset eivät pidennä takuuaikaa. Rajoitettu takuu on voimassa yllä ilmaistun ajanjakson ja takuun alkamispäiväksi katsotaan ainoastaan alkuperäisessä kuitissa/ostolaskussa näkyvä päivämäärä.

Kopioi hiekkasuodattimen rungossa oleva eränumero.



Eränumero: _____ Ostokuitin päiväys: _____

VASTAANOTTAJA: BESTWAY® -HUOLTO-OSASTO PVM.: _____ Asiakkaan koodinnumero: _____

FAKSI/S-POSTI/PUH.: Katso oman maasi tiedot takakannesta tai sivustoltamme löytyvien tietojen mukaisesti: www.bestway-service.com.

Anna täydelliset osoitetietosi. Huomaa: Epätäydelliset osoitetiedot viivästyttävät lähetyksiä.

Bestway varaa oikeuden veloittaa toimittamattomien pakettien uudelleentoimituksesta, jos vika on vastaanottajan.

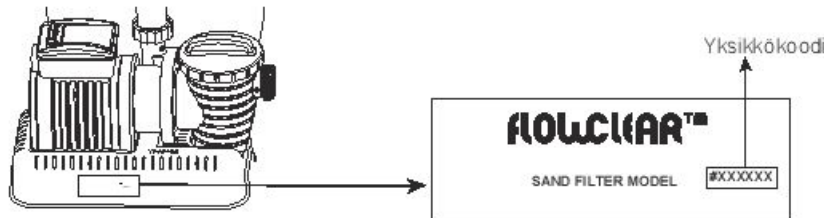
VAADITUT TIEDOT -- KIRJOITA TOIMITUSOSOITE

Nimi: _____ Osoite: _____ Postinumero: _____

Maa: _____ Postitoimipaikka: _____ Matkapuhelinnumero: _____

Puhelinnumero: _____ Faksi: _____ S-POSTI: _____

Jälleenmyyjä: _____ Kirjoita selvästi tuotekoodisi: _____



Kaikki kuvat ovat vain havainnollistamistarkoitukseen. Eivät ole mittakaavassa.

Ongelman kuvaus

- Vesi vuotaa
- Ei toimi enää
- Tuote ei ole kokonainen. Mitä osia puuttuu - laita käyttöoppaasta löytyvä koodi _____
- Muu, mikä _____

TÄRKEÄÄ: VAIN VAURIOITUNEET OSAT VAIHDETAAN, EI KOKO PAKETTIA.

Bestway varaa oikeuden pyytää valokuvatoisteita viallisista osista tai pyytää tuotteen lähettämistä lisätestejä varten.

Voidaksemme auttaa sinua parhaalla mahdollisella tavalla edellytämme, että täytät kaikki tiedot.

INTERNET-SIVUSTOSTA WWW.BESTWAY-SERVICE.COM LÖYTYY USEIN KYSYTTYJÄ KYSYMYKSIÄ JA NIIDEN VASTUUKSIA, KÄYTTÖOPPAITA, VIDEOITA JA Tietoja vara osista. VIDEOITA ON MYÖS NÄHTÄVISSÄ BESTWAY-KANAVALLAMME YOUTUBESSA: <http://youtube.com/user/BestwayService>.

Bestway

Bestway.

#58366

Hmax 1.5m Hmin 0.19m IPX5

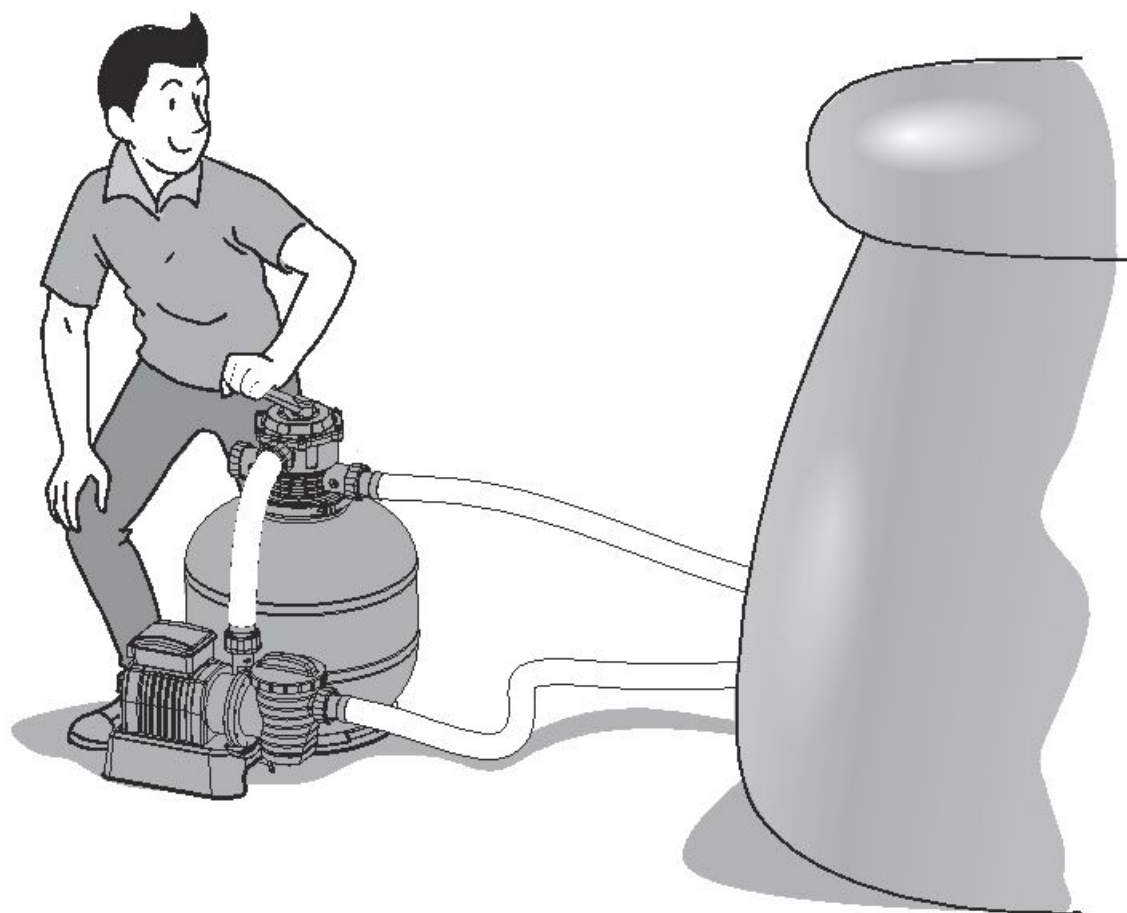
NIET RETOURNEREN



NAAR DE WINKEL

**VRAGEN? PROBLEMEN?
ONTBREKENDE DELEN?**

Voor FAQ, Handleidingen, Video's of
Reserveonderdelen, ga naar
www.bestway-service.com



FLOWCLEAR™ ZANDFILTER GEBRUIKSAANWIJZINGEN

www.bestway-global.com
www.bestway-service.com



WAARSCHUWING

BELANGRIJKE VEILIGHEIDSINSTRUCTIES LEES ALLE VEILIGHEIDSINSTRUCTIES EN VOLG ZE OP.

Bij het installeren en gebruiken van deze elektrische apparatuur, moeten de basisvoorzorgsmaatregelen voor de veiligheid altijd worden opgevolgd:

- De pomp moet gevoed worden door een scheidingstransformator of via een aardlekschakelaar (RCD) met een aardlekstroom van maximaal 30 mA.
- De voedingsbron moet meer dan 4 meter van het zwembad verwijderd zijn en op een hoogte van tenminste 1.2 m.
- Het apparaat moet voorzien zijn van een geaarde voedingsbron.
- **GEVAAR VOOR ELEKTRISCHE SCHOKKEN** - De pomp kan niet worden gebruikt wanneer er zich mensen in het zwembad bevinden. Laat niemand in het zwembad gaan als het zandfilter beschadigd is.
- **GRAAF HET SNOER NIET IN.** Zorg ervoor dat het snoer niet kan worden beschadigd door grasmaaiers, heggenscharen of andere machines.
- Vervang beschadigde snoeren onmiddellijk, om het gevaar voor elektrische schokken te beperken.
- Als het elektriciteitssnoer beschadigd is, dient het te worden vervangen door de fabrikant of diens onderhoudstechnicus of een dergelijk deskundig persoon, om alle gevaar te voorkomen.
- Verlengsnoeren mogen niet worden gebruikt.
- Gevaar voor elektrische schokken. Het gebruik van het zandfilter met een niet-bijpassende stroombron is gevaarlijk en brengt het zandfilter onherstelbare schade toe.
- Verwijder nooit de aarde-pin en verander niets aan de stekker. Gebruik geen verloopstekkers. Raadpleeg een bevoegde elektricien voor al uw vragen met betrekking tot de aarding van de stekker.
- Voorzichtig, het zandfilter is breekbaar. Sleep en draag het zandfilter niet aan het snoer. Trek nooit de stekker aan het snoer uit het stopcontact. Zorg ervoor dat het snoer niet beschadigt. Het zandfilter mag niet in aanraking komen met scherpe voorwerpen, olie, bewegende delen en hitte.
- Haal altijd de stekker van dit product uit het stopcontact voordat u het product verwijdert, schoonmaakt, repareert of er wijzigingen aan aanbrengt.
- Steek de stekker nooit in het stopcontact of haal de stekker nooit uit het stopcontact met een natte hand
- Haal de stekker altijd uit het apparaat:
 - Op regenachtige dagen
 - Voorafgaand aan reiniging of ander onderhoud
 - Indien onbeheerd tijdens vakanties
- Wanneer het apparaat langdurig niet gebruikt wordt, zoals in de winter, dan moet de zwembadset gedemonteerd worden en binnen worden opgeslagen.
- **Let op:** Lees de instructies alvorens het apparaat te gebruiken en voor elke installatie/hermontage.
- Goed bewaren van de instructies. Iedere keer wanneer u het zwembad opzet, dient u de instructies te raadplegen
- Als u de instructies kwijt bent, neem dan contact op met Bestway of zoek het op, op website: www.bestway-service.com
- Elektrische installaties moeten de nationale bedradingsregelgevingen volgen. Raadpleeg een gekwalificeerd elektricien indien u vragen hebt.

VOORZICHTIG: Dit zandfilter mag uitsluitend worden gebruikt voor zwembaden die opgeslagen kunnen worden. Gebruik het filter niet voor blijvend geïnstalleerde zwembaden. Een zwembad dat opgeslagen kan worden, is zo gebouwd dat het snel kan worden ontmanteld voor opslag en ook weer snel kan worden opgebouwd. Een blijvend geïnstalleerd zwembad staat zodanig in of op de grond of in een structuur dat het niet snel kan worden ontmanteld voor opslag.

- Dit apparaat kan worden gebruikt door kinderen vanaf 8 jaar en personen met beperkte fysieke, sensorische of mentale capaciteiten, of gebrek aan ervaring en kennis, indien zij onder supervisie staan of instructies hebben gekregen over het gebruik van het apparaat op een veilige manier en de gevaren ervan begrijpen. Kinderen mogen niet met het apparaat spelen. Reinigen en gebruiksonderhoud mag niet door kinderen worden verricht zonder supervisie. (Voor EU-markt)
- Dit apparaat is niet bedoeld voor gebruik door personen (met inbegrip van kinderen) met verminderde fysieke, zintuiglijke of mentale vermogens, of gebrek aan ervaring en kennis, tenzij zij toezicht hebben of geïnstueerd zijn over het gebruik van het apparaat door een persoon die verantwoordelijk is voor hun veiligheid. Er moet toezicht worden gehouden op kinderen, zodat ze niet

met het apparaat kunnen spelen. (Voor markt anders dan EU)

- Reiniging en onderhoud moeten uitgevoerd worden door een volwassene die ouder is dan 18 jaar en die bekend is met het risico van elektrische schokken.

OPMERKING:

- Plaats het zandfilter op een stevige en vlakke ondergrond. Zorg ervoor dat het zandfilter ten minste 2meter van het zwembad af staat. Houd de afstand zo groot mogelijk.
- Zorg ervoor dat het zwembad en het filter zo zijn opgesteld dat er voldoende ventilatie, afvoer en mogelijkheid tot schoonmaken zijn. Plaats het zandfilter nooit op een plek waar zich water kan verzamelen of in een drukke looproute.
- De stekker moet ook toegankelijk blijven nadat het bad is geïnstalleerd. De stekker van het zandfilter moet ten minste 3.50meter van het zwembad verwijderd zijn.
- De weersomstandigheden kunnen de werking en de levensduur van het zandfilter negatief beïnvloeden; neem maatregelen om het zandfilter te beschermen tegen onnodige slijtage die kan optreden tijdens perioden van koud of heet weer en/of blootstelling aan de zon.
- Controleer voor gebruik of alle onderdelen van het zandfilter aanwezig zijn. Meld beschadigingen of missende onderdelen bij aankoop aan de klantenservice van Bestway (de gegevens staan in deze handleiding).
- Alle versleten onderdelen moeten zo snel mogelijk worden vervangen. Gebruik uitsluitend de onderdelen die door de fabrikant zijn goedgekeurd.
- Sta niet toe dat kinderen of volwassenen op het apparaat leunen of zitten.
- Doe geen chemicaliën in het zandfilter.
- Bij het gebruik van chemicaliën voor het schoonmaken van het water in het zwembad, is het aan te raden om een minimale filtertijd aan te houden voor de gezondheid van de zwemmers die afhankelijk is van het voldoen aan de gezondheidsvoorschriften.
- Alleen de bijgeleverde media of deze aangegeven door de fabrikant mogen bij de installatie van het product gebruikt worden.
- Het is essentieel te controleren dat de zuigopeningen niet geblokkeerd zijn.
- Het is raadzaam de filtratie te stoppen tijdens onderhoudswerkzaamheden aan het filtersysteem.
- Controleer regelmatig het verstoppingsniveau van de filter.
- Een wekelijkse controle is aanbevolen voor terugspoelen of reinigen. Een minimum dagelijkse filterbedrijfstijd van 8 uur is aanbevolen om te zorgen voor helder zwembadwater.
- Het is essentieel om elk beschadigd element of set van elementen zo snel mogelijk te vervangen. Gebruik alleen onderdelen goedgekeurd door de persoon verantwoordelijk voor de introductie van het product op de markt.
- Alle filters en filtermedia zullen regelmatig geïnspecteerd worden om ervoor te zorgen dat er geen opeenhoping van vuil is wat een goede filtratie verhindert. Het verwijderen van gebruikte filtermedia moet gebeuren volgens de toepasselijke regelgevingen/wetgeving.
- Volg alle veiligheidseisen en aanbevelingen beschreven in de handleiding. In het geval van twijfel over de pomp of circulatie-apparaten, neem contact op met een bevoegde installateur, of de fabrikant/importeur/distributeur. De watercirculatieinstallatie moet voldoen aan de Europese maar ook aan nationale/lokale regelgevingen, vooral voor wat betreft elektrische kwesties. Elke wijziging van de kleppositie, pomp grootte, roostermaat kan een wijziging van de stroming veroorzaken en de zuigsnelheid kan verhogen.
- Dit product is niet bestemd voor een commercieel gebruik.

Lees de handleiding zorgvuldig en bewaar ze voor toekomstige referentie.

BEWAAR DEZE INSTRUCTIES

AFVOEREN ALS AFVAL

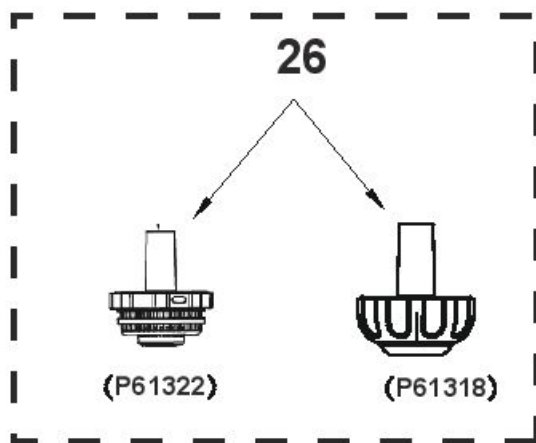
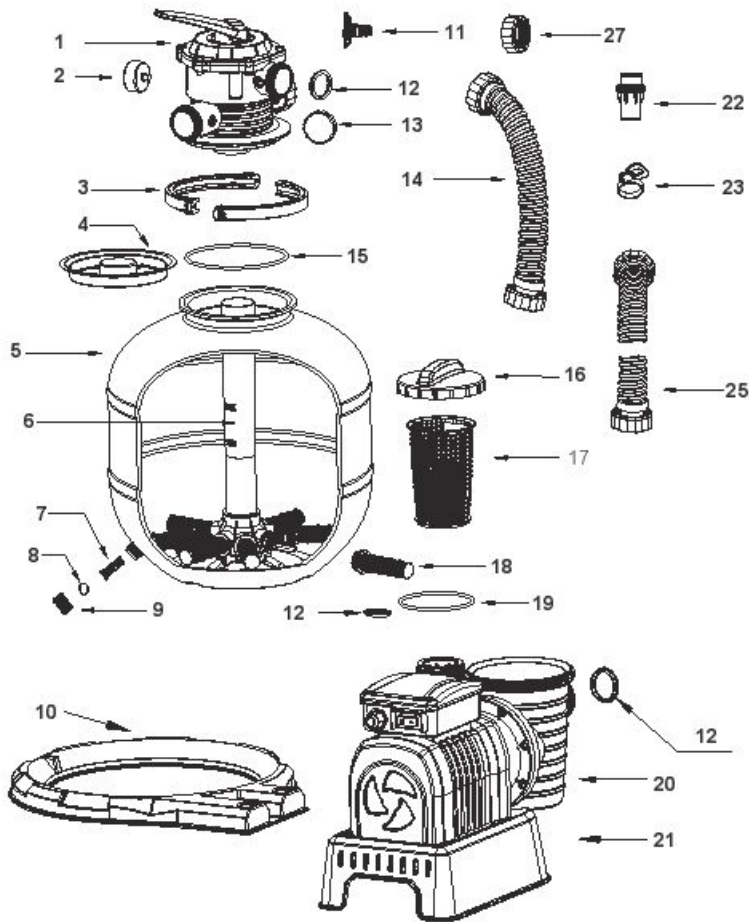
-  **Betekenis van de doorkruiste vuilnisbak op wielen:**
- Elektrische apparatuur dient niet afgedankt te worden samen met het gewoon huishoudelijk afval.
- Contacteer uw plaatselijke overheid om meer informatie te krijgen over de beschikbare manieren van afvalophaling.

Wanneer elektrische apparatuur gedumpt wordt in de natuur, kunnen gevaarlijke stoffen in het grondwater sijpelen en in de voedselketen terechtkomen, wat schadelijk is voor uw gezondheid en welzijn.

Wanneer u uw oude apparatuur wilt vervangen door nieuwe, is de verkoper wettelijk verplicht uw oude apparatuur gratis terug te nemen voor afdanking.

OVERZICHT VAN DE ONDERDELEN

Neem een paar minuten de tijd om alle onderdelen te leren kennen voordat u het zandfilter in elkaar zet.

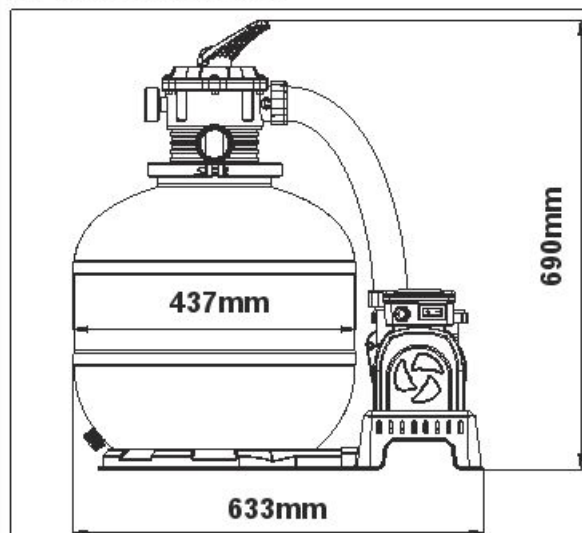


REF NR.	BESCHRIJVING	AANTAL	NR. WISSELOND.
1	Regelklep	1	P61204
2	Manometer	1	P61138
3	Flenskleem	2	P61205
4	Hubafdekking	1	P61209
5	Tank	1	P61213
6	Hub	1	P61206
7	Vervuiling cassette	1	P61211
8	Ring	1	P6581
9	Afvoerklapdop	1	P6580
10	Tankbasis	1	P61212
11	Tuinslangadapter	1	P6614
12	Ring	5	P6029
13	Poort D Dop	1	P6540
14	Buis	1	P6560
15	O-ring	1	P61214
16	Zeefafdekking	1	P6561
17	Zeef	1	P6562
18	Filtercassette	8	P61210
19	Dichtring	1	P6563
20	Pomp	1	P61207
21	Pomp (Alleen voor UK)	1	P61207GB
22	Adapter	2	P6916
23	Slangklemmen	2	P6124
27	Adaptermoer	1	P6615

Optionele onderdelen

25	Slang (Φ38mm 3M)	2	P6028
26	Vuilscherm	1	P61322
	Vuilscherm	1	P61318

SPECIFICATIES



Diameter van het filter:	437mm
Effectief filtergebied:	0.150m ² (1.61ft ²)
Max. bedrijfsdruk:	1.58Bar (23PSI)
Zandfilterdruk in bedrijf:	<0.56Bar (8PSI)
Max. watertemperatuur:	35°C
Zand:	Niet inbegrepen
Formaat zand:	#20 silicazand, 0.45-0.85mm
Inhoud zand:	Ongeveer 35 kg

OVERZICHT VAN DE REGELKLEP

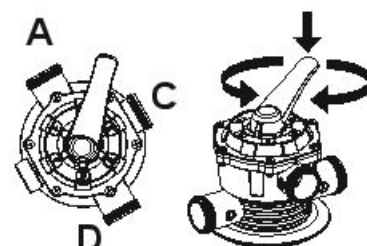
WAARSCHUWING: Haal de stekker van de zandfilterpomp altijd uit het stopcontact voordat u de functie van de regelklep verandert om schade aan de apparatuur en verwondingen te voorkomen. Het wijzigen van de klepposities terwijl de pomp werkt kan de regelklep beschadigen, hetgeen verwondingen aan personen of schade aan voorwerpen kan veroorzaken.



De regelklep gebruiken

Duw de hendel van de regelklep omlaag en draai de hendel op de gewenste functie.

FUNCTIES VAN DE REGELKLEP

De regelklep wordt gebruikt om 6 verschillende filterfuncties te selecteren: filteren, spoelen, circuleren, zand reinigen, gesloten en afvoeren.

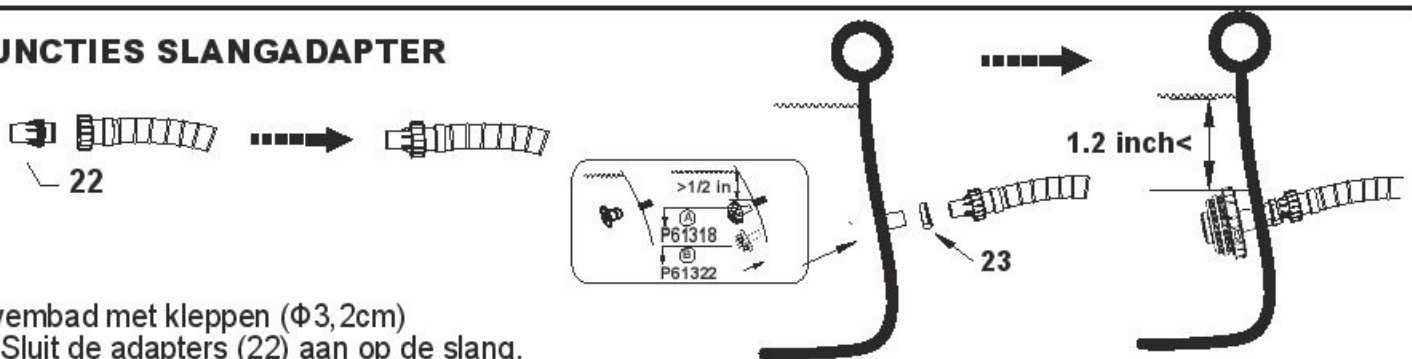


-  **Filteren:** Deze functie wordt gebruikt om zwembadwater te filteren; de regelklep moet 99% van de tijd op deze functie staan. Er wordt water door het zandfilter gepompt. In het zandfilter wordt het water schoongemaakt, waarna het weer terug naar het zwembad gaat.
-  **Circuleren:** Deze functie laat het zwembadwater circuleren zonder het door het zandfilter te laten komen; gebruik deze functie als het filter kapot is om vuil te verzamelen in de vuilopvangschermen.
-  **Zand reinigen:** Deze functie wordt gebruikt om het zandbed te reinigen; er wordt water omlaag gepompt door de aansluiting, omhoog door het zandbed en afgevoerd door poort D.
-  **Afvoeren:** Deze functie voert water af uit het zwembad; ook bij deze functie gaat het water niet door het filter: het water wordt door poort C afgevoerd in plaats van terug te gaan naar het zwembad.
-  **Spoelen:** Deze functie is voor de eerste maal dat de pomp wordt gestart, het schoonmaken van het zand en het nivelleren van het zandbed na het reinigen van het zand; er wordt water naar beneden door het zand gepompt, omhoog door de aansluiting en dan wordt het afgevoerd door poort D.
-  **Gesloten:** Deze functie zorgt ervoor dat er geen water meer stroomt tussen het zandfilter en het zwembad.

OPMERKING:

- Zorg ervoor dat alle maatregelen voor het afvoerwater voldoen aan de van toepassing zijnde plaatselijke, regionale of nationale wetten. Voer water niet af op plaatsen waar het overstromingen of schade veroorzaakt.
- Als de regelklep op de positie Zand reinigen, Spoelen of Afvoeren wordt gezet, wordt er water afgevoerd via poort D op de regelklep.
- Steek de stekker van het zandfilter niet in het stopcontact en zet het filter niet aan terwijl de regelklep op de functie Gesloten staat, anders wordt het zandfilter ernstig beschadigd.
- Zet de regelklep niet tussen twee functies in, anders zal er lekkage optreden.
- Om waterlekken te voorkomen, schroef de Dop van Ingang D op de Ingang D van de Regelklep alvorens de zandfilter in werking te stellen.

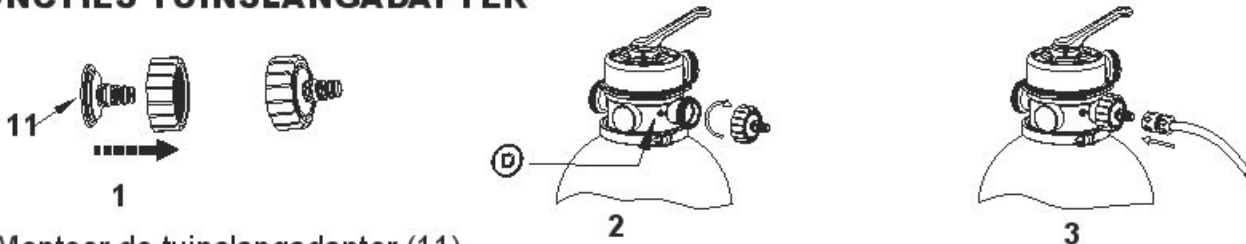
FUNCTIES SLANGADAPTER



Zwembad met kleppen ($\Phi 3,2\text{cm}$)

- 1) Sluit de adapters (22) aan op de slang.
- 2) Bevestig de slangen op de overeenkomstige letters op het zwembad.
- 3) Bevestig de slangen op de zandfilter door de slangfitting op de pomppoort te drukken. Schroef de borgingen met schroefdraad in positie en zorg ervoor dat de overeenkomstige letters op het zwembad en de zandfilter overeenkomen (A bij A, B bij B).
- 4) Verwijder de stoppen uit de invoer- en afvoerkleppen van het zwembad en plaats de vuilschermen (26).
- 5) Met de slangen en vuilschermen (26) in positie, draai de slangklemmen (23) vast.

FUNCTIES TUINSLANGADAPTER



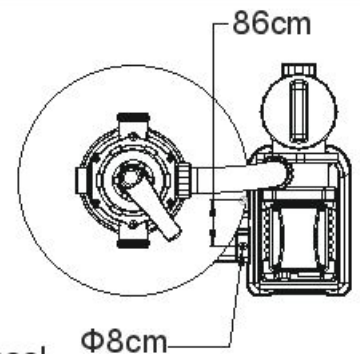
1. Monteer de tuinslangadapter (11).
2. Schroef de tuinslangadapter (11) op poort D van de zandfilter.
3. Bevestig de tuinslang op de tuinslangadapter (11).

OPMERKING:

1. De tuinslangadapter (11) kan alleen voor afvoer gebruikt worden en kan enkel op poort D van de zandfilter gemonteerd worden.
2. Koppel de zandfilter altijd los van de stroomtoevoer vooraleer u de tuinslangadapter (11) monteert en stel de regelklep in op de gesloten positie.
3. Zorg ervoor dat de ring in positie is voor u de tuinslangadapter (11) monteert.

Deel I: Monteren (U hebt een kruiskopschroevendraaier nodig.)

1. Verwijder alle onderdelen voorzichtig uit de verpakking en controleer of er niets is beschadigd. Als de apparatuur is beschadigd, meld dat dan onmiddellijk aan de verkoper bij wie u de apparatuur hebt gekocht.
2. Het zandfilter moet op een stevige, vlakke ondergrond worden gezet, bij voorkeur een betonnen plaat. Plaats het zandfilter zodanig dat de poorten en de regelklep toegankelijk zijn voor bediening, onderhoud en klaarmaken voor de winter.
3. De EN60335-2-41 TEST-norm vereist dat de zandfilter vóór gebruik verticaal bevestigd moet worden op de grond of op een voetstuk van hout of beton, zodat hij niet accidenteel kan vallen. De volledig geassembleerde zandfilter weegt meer dan 18kg. De montagegaten moeten een diameter hebben van 8mm en moeten een onderlinge afstand van 86mm hebben. Gebruik twee bouten en moeren met een maximale diameter van 8mm om de zandfilter op het voetstuk te bevestigen.

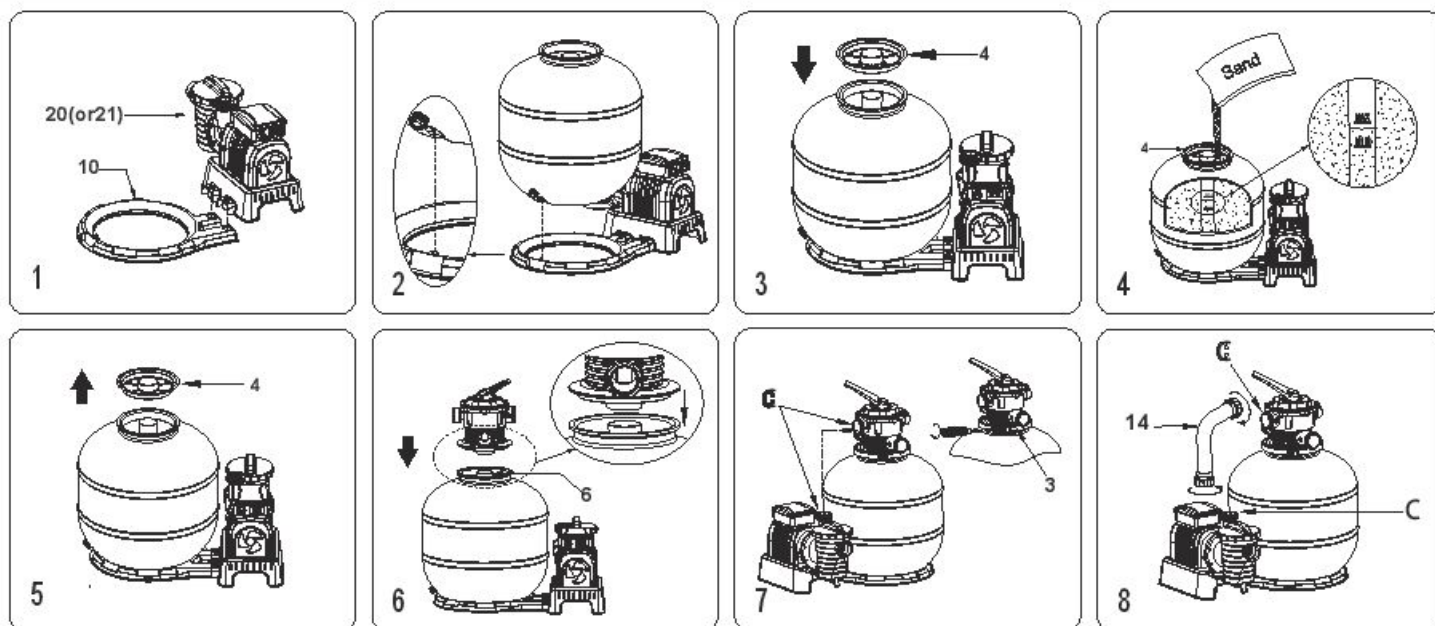


Vul met filterzand dat geschikt is voor zwembaden.

OPMERKING: Gebruik alleen speciaal filterzand voor zwembaden, zonder kalk of klei. #20 Silicazand 0.45 – 0.85mm, een zak van 35kg moet ongeveer voldoende zijn. Als u de geadviseerde grootte van het filterzand niet aanhoudt, dan wordt de filterprestatie beperkt en het zandfilter kan beschadigen, waarbij ook de garantie vervalt.

OPMERKING: Om te voorkomen dat de skimmer beschadigt bij het toevoegen van het zand, giet u wat water in de ondertank zodat de skimmer op de verzamelaar onder water staat.

OPMERKING: ZAND NIET BIJGELEVERD.



1. Plaats de tankbasis op de juiste plaats en laat overeenkomen met het positiegat.
2. Plaats de tank op de juiste plaats op de tankbasis.
3. Plaats de filterafdekking (4).
4. Voeg traag het zand toe zodat het gewicht van het zand de skimmer op de hub niet beschadigt, tot het een niveau tussen de gemarkeerde MAX en MIN bereikt. #20 Kiezelzand 0,45-0,85mm, ongeveer 35 kg.
5. Verwijder de filterafdekking (4).
6. Laat de regelklep traag over de tank zakken en zorg ervoor dat de by-pass buis die uitsteekt onder de regelklep stevig in de hub (6) past.
7. Zorg ervoor dat poort C op de regelklep gealigneerd is met poort C op de pomp. Bevestig de bovenste flensklem(3) en schroef ze in positie.
8. Bevestig de buis(14) pomp poort C en op de regelklep poort C, schroef de borging met schroefdraad in zijn positie. Zorg ervoor dat de sluitring in de goede positie zit op de beide uiteinden van de buis(14).

Deel II: Opstelling van de slangen voor de functies Zand reinigen en Spoelen

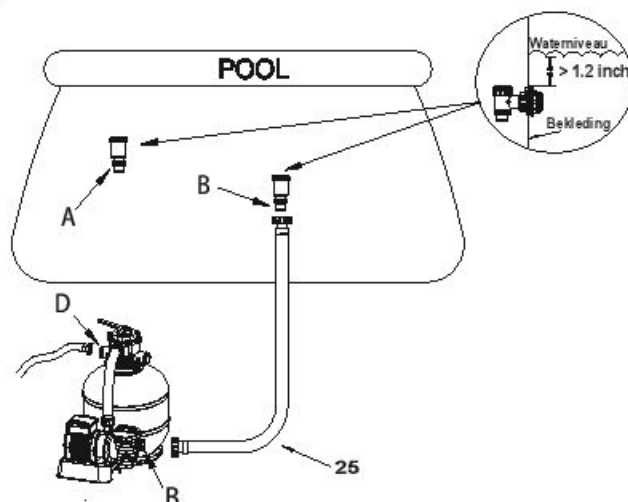
OPMERKING: Controleer of de regelklep op de functie Gesloten staat.

Het zwembad moet gevuld zijn met water, zorg ervoor dat beide vuilschermen van het zwembad volledig onder water zitten.

1. Bevestig één uiteinde van de slang (25) op poort B van de zandfilter; schroef de borging met schroefdraad in positie.
2. Bevestig het andere uiteinde van de slang (25) aan de Poort B aansluitingsklep; schroef de borging met schroefdraad in positie.
3. Open de aansluitingsklep.

OPMERKING: Raadpleeg de handleiding van het zwembad om te weten hoe de aansluitklep te installeren.

4. Schroef de andere slang op Poort D en plaats het tegenovergestelde uiteinde in de afvoerzone.



Deel III: Zand reinigen en Spoelen

Was en spoel de pomp vóór het eerste gebruik en om het zand te verwijderen.

VOORZICHTIG: LAAT HET ZANDFILTER NIET DROOG WERKEN

1. Duw de hendel van de regelklep omlaag en draai de hendel op de functie Filter reinigen.
2. Plaats de plug in een differentieelschakelaar en schakel de zandfilter in en laat deze gedurende 3-5 minuten werken tot het water helder is.
3. Haal de stekker van het zandfilter uit het stopcontact en zet de regelklep op de functie Spoelen.
4. Steek de stekker in het stopcontact en laat het zandfilter 1 minuut lopen. Daardoor wordt er water terug door het zandfilter geleid en wordt het water afgevoerd door poort D.
5. Haal de stekker van het zandfilter uit het stopcontact. Zet de regelklep op de functie Gesloten.
6. Vul het zwembadwater bij.

BELANGRIJK: Deze procedure haalt water uit het zwembad; dat moet u weer aanvullen. Haal de stekker van het zandfilter onmiddellijk uit het stopcontact als het water bij de aanvoer- en afvoertentien in de buurt komt.

LAAT HET ZANDFILTER NIET DROOG WERKEN

Deel IV: Complete installatie van het zandfilter

Sluit de tweede slang aan

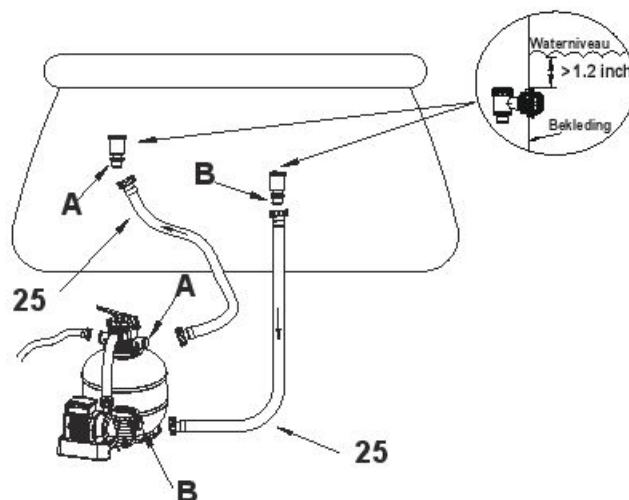
OPMERKING: Controleer of de hydraulische aansluitingen niet verstopt zijn.

OPMERKING: Controleer of de regelklep op de functie Gesloten staat.

Montage

1. Maak de slang (25) los van poort D.
2. Bevestig de slang (25) op poort A van de regelklep, schroef de sluitring op zijn plaats.
3. Sluit het andere uiteinde van de slang (25) op aanvoer A van het zwembad.
4. Open de aansluitklep.

OPMERKING: Raadpleeg de handleiding van het zwembad om te weten hoe de aansluitklep te installeren.



Deel V:

Het zandfilter gebruiken

1. Nu is het zandfilter klaar voor gebruik. Zet de regelklep op de functie Filteren.

OPMERKING: Maak eerst uzelf en het zandfilter droog om elektrische schokken te voorkomen.

BELANGRIJK: Vóór de werking, zorg ervoor dat de tank stevig op zijn basis staat en correct is aangesloten op de pomp.

2. Schakel de zandfilter in.

OPMERKING: Het zandfilter is nu begonnen met zijn filtercyclus. Controleer of het water terugloopt in het zwembad en controleer de filterdruk op de drukmeter.

Gewoonlijk is de aanbevolen zandfilterdruk lager dan 0.56Bar (8.0PSI) als het zandfilter loopt.



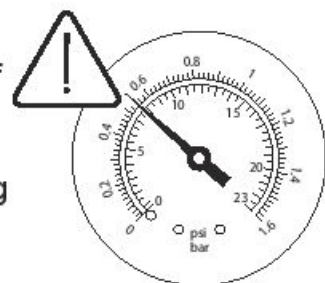
Onderhoud van het zandfilter

VOORZICHTIG: Zorg ervoor dat de zandfilter uitgeschakeld en losgekoppeld is vooraleer onderhoud te plegen, om ernstige verwondingen of zelfs de dood te voorkomen.

Naarmate er vuil ophoopt in het zandfilter, wordt de druk op de drukmeter hoger. Als de drukmeter op 0.56Bar (8.0PSI) of hoger staat, of als er te weinig water naar het zwembad stroomt, is het tijd om het zand schoon te maken.

Volg alle instructies uit **Deel II; Deel III** om het zandbed schoon te maken:

Zand reinigen en Spoelen



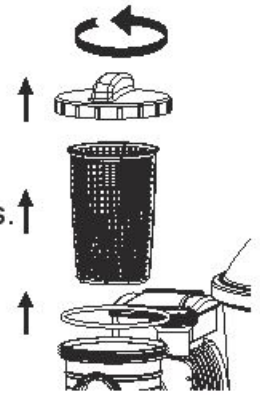
OPMERKING:

1. De manometer dient enkel voor onderhoudsdoeleinden en de waarde van de manometer dient enkel ter referentie, het is geen precisietoestel.
2. We bevelen aan dat u het zandbed eenmaal per maand reinigt of minder vaak afhankelijk van hoe het zwembad gebruikt wordt. Reinig het zand niet te vaak.

De pompkorf reinigen

1. Koppel de zandfilter los en zet de stuurklep in de stand Gesloten.
2. Plaats de afvalschermen met stoppen terug omte voorkomen dat het water wegloopt.
3. Verwijder de afdekking van de pompkorf door die los te schroeven.
4. Verwijder de pompkorf en elimineer eventueel vuil.
5. Plaats de pompkorf terug. Zorg ervoor dat de opening in de pompkorf uitgelijnd is.
6. Zorg ervoor dat de afdichtingsring op zijn plaats zit. Schroef de afdekking van de pompkorf weer op zijn plaats.
7. Verwijder de stoppen en plaats de afvalschermen.

OPMERKING: De pompkorf moet periodiek geleidigd en gereinigd worden. Een vuile of vastgeslibde pompkorf zal de prestaties van de zandfilter verminderen.



Het zwembadwater gedeeltelijk of helemaal weg laten lopen

1. Haal de stekker van het zandfilter uit het stopcontact en zet de regelklep op de functie Afvoeren.
2. Maak de slang los van aanvoer A van het zwembad en poort A van het zandfilter en maak de slang vast op poort D.
3. Schakel de zandfilter in om het zwembadwater te verwijderen.

WAARSCHUWING: LAAT HET ZANDFILTER NIET DROOG WERKEN.

Klaarmaken voor de winter en langdurige opberging

In gebieden waar het vriest in de winter, moet de zwembaduitrusting winterklaar worden gemaakt als bescherming tegen schade. Als u het water laat bevriezen, beschadigt het zandfilter en wordt de garantie ongeldig.

1. Maak het zand van het filter schoon zoals eerder is beschreven.
2. Laat het bad leeglopen volgens de instructies in de relatieve handleiding.
3. Open de afvoeropening onder aan de tank en laat het resterende water wegvloeien.
4. Koppel de twee slangen los van het zwembad en de zandfilter.
5. Haal alle zand uit de tank en droog de onderdelen af.
6. Verwijder de zandfilter uit het zwembadgebied en bewaar de zandfilter op een droge plaats binnenshuis buiten het bereik van kinderen.

PROBLEMEN OPLOSSEN

Problemen	Mogelijke Oorzaken	Oplossingen
Er loopt zand uit het zwembad	<ul style="list-style-type: none">- Zand is te fijn- Verplaats het regelventiel van de spoel- naar de filterfunctie zonder het zandfilter te stoppen- Het zandniveau is te hoog- De skimmer is gebroken	<ul style="list-style-type: none">- 0.45mm tot 0.85mm #20 silicaat zand wordt aangeraden- Stop het zandfilter elke keer als het regelventiel wordt ingesteld- Controleer of het zandniveau tussen de aangegeven "MAX" en "MIN" op de opslaghub zit- Vervang de skimmer
Geen watertoevoer	<ul style="list-style-type: none">- De stoppen zijn niet verwijderd- Het regelventiel is ingesteld op Dicht- De zeef zit verstopt- Het zandfilter is kapot	<ul style="list-style-type: none">- Verwijder de stoppen en monteer het puinscherm- Stel in op de filterfunctie- Maak de zeef schoon- Bel voor hulp
Te hoge filterdruk	<ul style="list-style-type: none">- Vuil filter- Verkalkte zandbodem- Onvoldoende spoeling- Het drukventiel is kapot	<ul style="list-style-type: none">- Spoelen- Controleer het zand en vervang zo nodig- Spoelen tot de uitstroom goed loopt- Vervang het drukventiel
Het Regelventiel lekt vanuit ingang D	<ul style="list-style-type: none">- Het Regelventiel is ingesteld tussen twee functies in- De afdichting is kapot	<ul style="list-style-type: none">- Stel in op één functie- Vervang de afdichting
De aansluitingen lekken	<ul style="list-style-type: none">- De borgring van de aansluitingen zit niet op de juiste plaats- De borgring van de aansluitingen is kapot- Losse Slangen	<ul style="list-style-type: none">- Zet de borgring op de juiste plaats- Vervang de borgring- Draai ze aan

Beperkte BESTWAY® Fabrieksgarantie

Het product dat u hebt aangekocht heeft een beperkte garantie. Bestway® steunt onze kwaliteitsgarantie en verzekert, via een vervangingsgarantie, dat uw product vrij zal zijn van fabricagefouten die resulteren in lekken.

De volgende bepaling is uitsluitend geldig binnen de lidstaten van de Europese Unie: De wettelijke regeling van richtlijn 1999/44/EG wordt niet aangetast door deze beperkte garantie van BESTWAY.

De beperkte garantie is geldig: 1 jaar garantie voor de zandfilter vanaf de datum van aankoop.

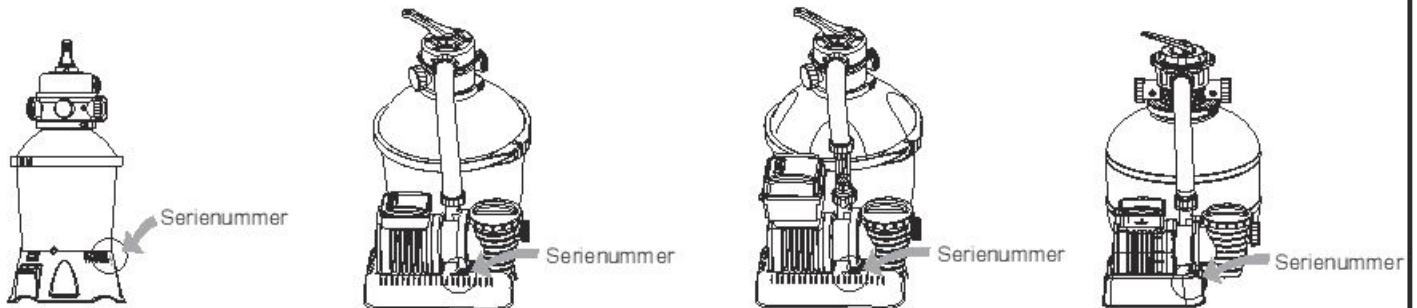
Om een garantieclaim te bepalen, moet dit formulier ingevuld worden en samen met een kopie van uw aankoopbewijs bezorgd worden aan uw lokale Bestway Dienst Naverkoop. Neem contact op met uw lokale Bestway Dienst Naverkoop vooraleer u enige documenten zendt - ze zullen u volledige instructies bezorgen m.b.t. wat nodig is voor uw claim. Bestway® zal geen producten vervangen die geacht worden verwaarloosd te zijn of die gebruikt werden buiten de richtlijnen in de gebruikershandleiding.

De garantie van Bestway dekt fabricagedefecten die ontdekt wordt tijdens het uitpakken van het product of tijdens het gebruik zoals aanbevolen in de gebruikershandleiding, deze garantie is enkel van toepassing op het product dat niet gewijzigd mag zijn door enige derde. Het product moet opgeborgen en gehanteerd worden overeenkomstig de technische aanbevelingen.

Deze garantie dekt geen schade veroorzaakt door verkeerd gebruik, misbruik, verzuim, inclusief maar niet beperkt tot botsing, brand, gebruik van incorrecte spanning, buitensporige blootstelling aan hitte, incorrecte installatie, incorrecte bedrading of testen, incorrecte opberging.

Vervangingen en reparaties verlengen de duur van de garantie niet. De beperkte garantie is geldig vanaf de periode die hierboven is aangegeven en de datum die beschouwd wordt als de start van de garantie is de enige die getoond wordt in het originele ontvangstbewijs/aankoopfactuur.

Kopieer a.u.b. het batchnummer dat op de behuizing van de zandfilter staat.



Serienummer: _____ Datum van aankoopbewijs: _____

AAN: BESTWAY® SERVICE-AFDELING DATUM: _____ Klantencodenummer: _____

FAX/E-MAIL/TEL: Raadpleeg uw land volgens de informatie op de achteromslag of op onze website: www.bestway-service.com

Geef uw volledig adres op. Opmerking: Onvolledige adressen resulteren in vertraagde verzendingen

Bestway behoudt zich het recht voor om onafgeleverde pakketten terug te leveren wanneer de ontvanger in fout is.

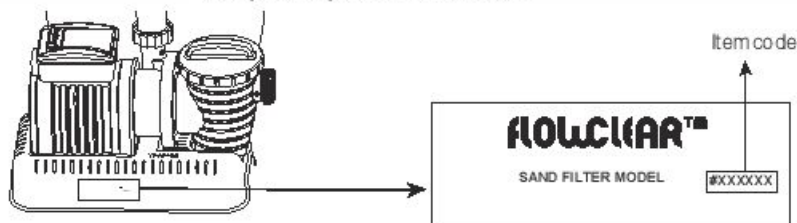
VEREISTE INFORMATIE - NOTEER HET LEVERINGSADRES

Naam: _____ Adres: _____ Postcode: _____

Land: _____ Stad: _____ GSM: _____

Telefoon: _____ Fax: _____ E-MAIL: _____

Detailhandelaar: _____ Schrijf duidelijk uw itemcode neer: _____



Tekeningen enkel voor illustratiedoeleinden. Niet op schaal.

Beschrijving van het probleem

- Waterlek
- Werking gestopt
- Item is onvolledig, welk onderdeel ontbreekt - Noteer de code die u aantreft in de instructiehandleiding _____
- Andere, omschrijven aub _____

BELANGRIJK: ALLEEN HET BESCHADIGDE ONDERDEEL ZAL VERVANGEN WORDEN, NIET DE VOLLEDIGE SET.

Bestway behoudt zich het recht voor om fotografische bewijzen van defecte onderdelen te vragen of om het item te verzenden voor extra testen. Om u het beste te kunnen helpen vragen we u om complete informatie te bezorgen.

VOOR FAQ, HANDLEIDINGEN, VIDEO'S OF RESERVEONDERDELEN, GA NAAR ONZE WEBSITE WWW.BESTWAY-SERVICE.COM.

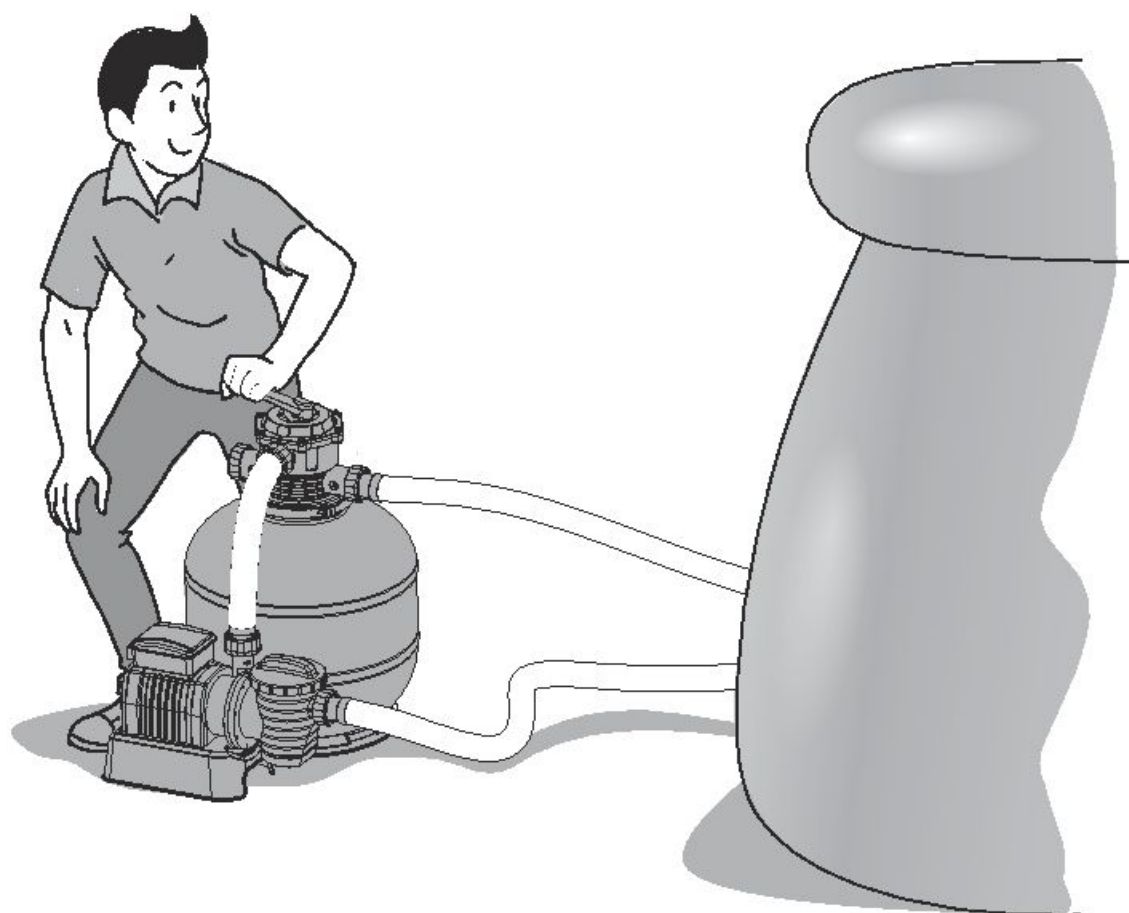
VIDEO'S ZIJN OOK BESCHIKBAAR OP ONS BESTWAY-KANAAL OP YOUTUBE:

<http://youtube.com/user/BestwayService>.

Bestway.

#58366

Hmax 1.5m Hmin 0.19m IPX5



FILTRO A SABBIA FLOWCLEAR™ MANUALE D'USO

www.bestway-global.com

www.bestway-service.com



AVVERTENZA**ISTRUZIONI DI SICUREZZA IMPORTANTI LEGGERE ATTENTAMENTE E SEGUIRE TUTTE LE ISTRUZIONI DI SICUREZZA**

Durante l'installazione e l'utilizzo di questa apparecchiatura elettrica, è fondamentale rispettare le precauzioni di sicurezza basilari, tra cui:

- la pompa deve essere alimentata da un trasformatore di isolamento o tramite un interruttore differenziale con corrente residua nominale non superiore a 30 mA.
- L'alimentatore sulla parete dell'edificio deve essere mantenuto ad una distanza superiore a 4 m dalla piscina e ad un'altezza minima di 1,2 m.
- L'apparecchio deve essere alimentato da un alimentatore provvisto di messa a terra
- **RISCHIO DI SCOSSA ELETTRICA** - Non adoperare la pompa quando le persone si trovano nella piscina. Vietare l'accesso alla piscine in caso di danni al filtro per sabbia.
- **NON SOTTERRARE I CAVI.** I cavi devono essere posizionati in luoghi dove non sia poi necessario utilizzare tagliaerba, taglia siepi o altre attrezzature.
- Per ridurre il rischio di scossa elettrica, sostituire immediatamente i cavi danneggiati.
- Per evitare il verificarsi di situazioni pericolose, se il cavo di alimentazione è danneggiato, deve essere sostituito dal produttore, dal tecnico della manutenzione o da una persona qualificata.
- Non è possibile utilizzare prolunghe.
- Rischio di scossa elettrica. L'utilizzo del filtro a sabbia con un'alimentazione elettrica non adeguata è pericoloso e può danneggiare in modo permanente il filtro stesso.
- Non rimuovere la presa di messa a terra o modificare in alcun modo la spina. Non utilizzare adattatori di corrente. Rivolgersi ad un elettricista qualificato per informazioni sulla validità della proprie prese o della messa a terra.
- Maneggiare con cura il filtro a sabbia. Non trascinare o spostare il filtro a sabbia utilizzando il cavo di alimentazione. Estrarre la spina dalla presa senza tirare bruscamente il cavo di alimentazione. Evitare la formazione di abrasioni sul cavo di alimentazione. Tenere il filtro a sabbia lontano da oggetti appuntiti, olio combustibile, parti mobili o fonti di calore.
- Scollegare sempre il prodotto dalla presa di corrente prima di rimuovere, pulire, eseguire la manutenzione o regolare il prodotto.
- Non collegare o scollegare l'apparecchio con le mani bagnate
- Scollegare sempre l'apparecchio:
 - Nei giorni di pioggia
 - Prima di eseguire operazioni di pulizia o manutenzione
 - Se lasciata incustodita durante le vacanze
- Se il prodotto non viene utilizzato per lunghi periodi, ad esempio in inverno, la piscina deve essere smontata e conservata al chiuso.
- **Attenzione:** leggere sempre le istruzioni prima di utilizzare l'apparecchiatura e prima di procedere con l'installazione e le operazioni di montaggio/smottaggio.
- Custodire le istruzioni. Per riassemblare il set piscina, consultare le istruzioni.
- Se le istruzioni sono andate perse, contattare Bestway o consultare il sito Internet: www.bestway-service.com
- Gli impianti elettrici devono rispettare le norme nazionali di cablaggio. Per informazioni rivolgersi a un elettricista qualificato.

AVVERTENZA: Questo filtro a sabbia può essere utilizzato solo con piscine smontabili. Non utilizzare con piscine installate in modo permanente. Una piscina smontabile è costruita in modo tale da essere rapidamente smontata per la conservazione e riassembleata nuovamente, mantenendo l'integrità iniziale. Essendo interrata o montata in superficie, una piscina installata in modo permanente non consente il rapido smottaggio per la conservazione.

- Questa apparecchiatura non è destinata all'uso da parte di persone (bambini di età inferiore a 8 anni inclusi) con capacità fisiche, mentali e sensoriali ridotte o mancanza di esperienza e conoscenze adeguate, a meno che non siano supervisionate e istruite ad un uso sicuro dell'apparecchio e se sono stati compresi i rischi connessi. I bambini devono sempre essere controllati per evitare che giochino con il prodotto. La pulizia e la manutenzione non devono essere eseguite dai bambini senza la supervisione di un adulto. (Per il mercato UE)
- Questa apparecchiatura non è progettata per essere utilizzata da persone (bambini inclusi) con ridotte funzionalità fisiche, sensoriali o mentali o da persone inesperte, a meno che non vengano controllate o che una persona responsabile della loro sicurezza non abbia spiegato loro il funzionamento dell'apparecchiatura. I bambini devono essere controllati per evitare che giochino con l'apparecchiatura.

(Per un mercato diverso da UE)

- La pulizia e manutenzione devono essere eseguite da un adulto maggiorenne e totalmente consapevole del pericolo di scosse elettriche.


NOTA:

- Posizionare il filtro a sabbia su una superficie piana e uniforme. Assicurarsi che sia posizionato ad almeno 2 metri di distanza dalla piscina. Mantenere la massima distanza possibile.
- Nel posizionare la piscina e il filtro a sabbia, assicurarsi sempre che ci sia una ventilazione adeguata, nonché possibilità di scolo e accesso per la manutenzione. Non posizionare mai il filtro a sabbia in aree che favoriscono l'accumulo dell'acqua o nei punti di passaggio.
- Dopo l'installazione della piscina, è necessario che nelle vicinanze sia presente una presa. La presa del filtro a sabbia deve essere situata ad almeno 3,5 m di distanza dalla piscina
- Le condizioni atmosferiche possono incidere sulle prestazioni e sulla durata del filtro a sabbia; cercare quindi di proteggere il filtro a sabbia da freddo, calore o esposizione al sole eccessivi che possono causare il deterioramento del prodotto.
- Verificare la presenza di tutti i componenti del filtro a sabbia prima dell'utilizzo. Contattare Bestway all'indirizzo del servizio clienti riportato nel presente manuale per comunicare la mancanza di componenti o la presenza di parti danneggiate al momento dell'acquisto.
- È importante e necessario sostituire al più presto tutte le parti deteriorate. Utilizzare solo parti approvate dal costruttore.
- Non consentire a bambini e adulti di appoggiarsi o sedersi sul dispositivo.
- Non aggiungere prodotti chimici al filtro a sabbia.
- In caso di utilizzo di prodotti chimici per la pulizia dell'acqua della piscina, si raccomanda di aspettare che sia trascorso del tempo per l'esecuzione del filtraggio per salvaguardare la salute dei nuotatori che dipende al rispetto delle norme in materia di salute.
- Solo il supporto fornito o specificato dal produttore deve essere utilizzato con l'installazione del prodotto.
- È obbligatorio accertarsi che le aperture per l'aspirazione non siano ostruite.
- È consigliabile interrompere il filtraggio durante le operazioni di manutenzione sul sistema di filtraggio.
- Monitorare regolarmente il livello di ostruzione del filtro.
- Si raccomanda un controllo settimanale per il lavaggio in controcorrente o la pulizia. Per garantire la pulizia dell'acqua della piscina si consiglia un tempo minimo giornaliero di funzionamento del sistema di filtraggio di 8 ore.
- È fondamentale sostituire i componenti danneggiati il prima possibile. Utilizzare esclusivamente componenti approvati dal responsabile dell'immissione del prodotto sul mercato.
- Tutti i filtri e dispositivi di filtraggio devono essere ispezionati regolarmente per evitare che un accumulo di detriti impedisca un buon filtraggio. Lo smaltimento dei dispositivi di filtraggio deve avvenire nel rispetto delle normative vigenti.
- Prestare attenzione ai requisiti di sicurezza e alle raccomandazioni descritte nel manuale. In caso di dubbio sulla pompa o su qualsiasi dispositivo di circolazione, contattare un installatore qualificato, o il produttore/importatore/distributore. L'impianto di circolazione dell'acqua deve essere conforme alle normative europee, nazionali e locali, soprattutto per quanto concerne i problemi elettrici. Qualsiasi cambiamento nella posizione della valvola, nelle dimensioni della pompa o nelle dimensioni della griglia può causare una variazione del flusso e la velocità di aspirazione può essere aumentata.
- Questo prodotto non è destinato all'uso commerciale.

Leggere attentamente il manuale di istruzioni e conservarlo per futuri riferimenti.

CONSERVARE QUESTE ISTRUZIONI

SMALTIMENTO

-  **Significato del bidone a rotelle con una croce sopra:**
Non smaltire le apparecchiature elettriche con i normali rifiuti solidi urbani, ma raccoglierti separatamente.

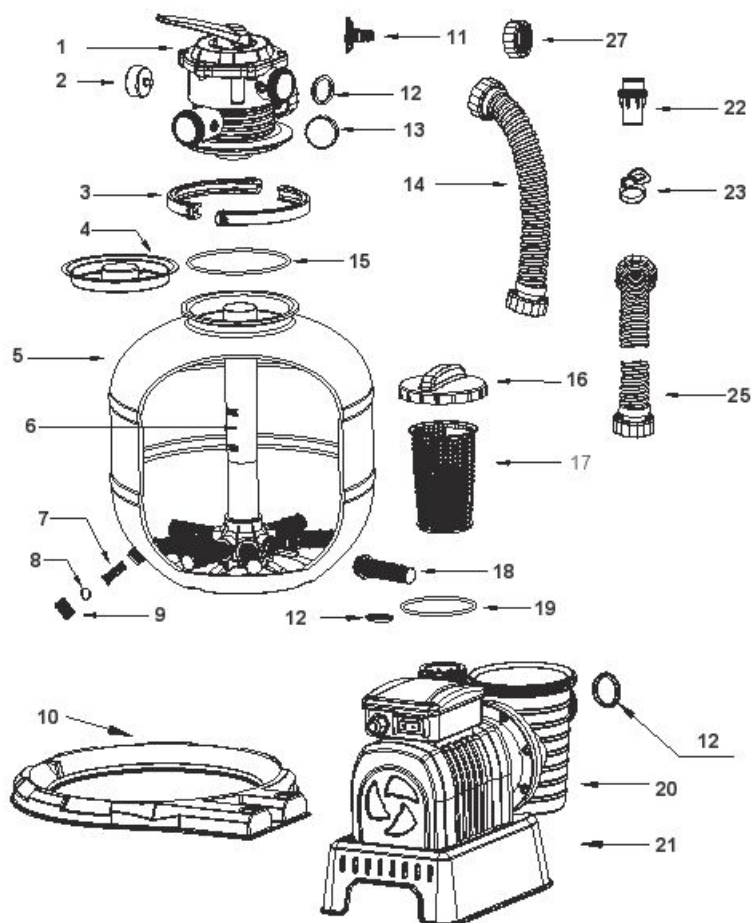
Per informazioni sui sistemi di raccolta disponibili, contattare le autorità locali.

In caso di smaltimento delle apparecchiature elettriche in discariche, eventuali perdite di sostanze pericolose potrebbero inquinare la falda acquifera ed entrare nella catena alimentare, danneggiando così la salute e il benessere delle persone.

Come previsto dalla legge, in caso di sostituzione delle apparecchiature il venditore è obbligato a ritirare il vecchio dispositivo per il suo smaltimento gratuito.

VISTA D'INSIEME DEI COMPONENTI

Comprendere l'utilizzo di tutti i componenti prima di procedere al montaggio del filtro a sabbia.

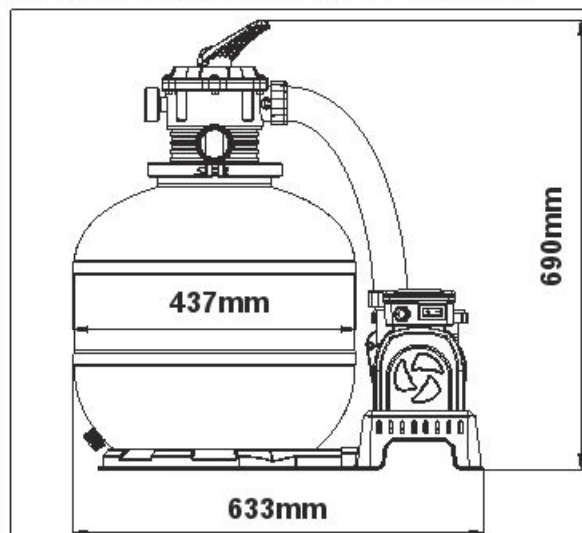


N. RIF.	DESCRIZIONE	Q. TÀ	N. PARTE DI RICAMBIO
1	Valvola di controllo	1	P61204
2	Manometro	1	P61138
3	Morsetto flangia	2	P61205
4	Coperchio mozzo	1	P61209
5	Serbatoio	1	P61213
6	Mozzo	1	P61206
7	Cartuccia inquinamento	1	P61211
8	Guarnizione scarico	1	P6581
9	Tappo valvola di scarico	1	P6580
10	Base serbatoio	1	P61212
11	Adattatore per manichetta da giardino	1	P6614
12	Rondella	5	P6029
13	Tappo foro D	1	P6540
14	Tubo	1	P6560
15	Guarnizione toroidale	1	P61214
16	Coperchio filtro	1	P6561
17	Filtro	1	P6562
18	Cartuccia filtrante	8	P61210
19	Guarnizione ad anello	1	P6563
20	Pompa	1	P61207
21	Pompa (solo per UK)	1	P61207GB
22	Adattatore	2	P6916
23	Fascette per tubo	2	P6124
27	Dado adattatore	1	P6615

Componenti opzionali

25	Tubo (Φ38mm 3M)	2	P6028
26	Filtro detriti	1	P61322
	Filtro detriti	1	P61318

CARATTERISTICHE TECNICHE



Diametro del filtro:	437mm
Area del filtro effettiva:	0.150m ² (1.61ft ²)
Pressione d'esercizio max:	1.58Bar (23PSI)
Pressione di funzionamento del filtro a sabbia:	<0.56Bar (8PSI)
Temperatura max. dell'acqua:	35°C
Sabbia:	Non inclusa
Dimensione sabbia:	Sabbia di silice n. 20, 0,45-0,85mm
Capacità di sabbia:	Circa 35kg

PANORAMICA SULLA VALVOLA DI CONTROLLO

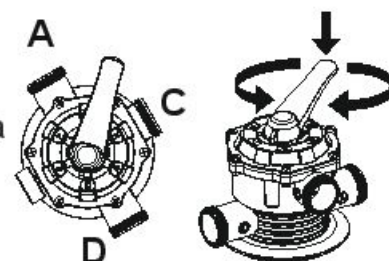
ATTENZIONE: Per evitare danni al dispositivo o possibili lesioni, scollegare sempre la pompa con filtro a sabbia prima di cambiare la funzione della valvola di controllo. La modifica delle posizioni della valvola di controllo mentre la pompa è in uso può causare lesioni alle persone o danni al prodotto.

Come utilizzare la valvola di controllo

Spingere verso il basso la maniglia della valvola di controllo e ruotare sulla funzione desiderata.

FUNZIONI DELLA VALVOLA DI CONTROLLO

La valvola di controllo viene utilizzata per selezionare le 6 diverse funzioni del filtro: filtro, risciacquo, circolazione, lavaggio a controcorrente, chiusura e scolo.



▶ **Filtraggio:** Questa funzione è utilizzata per il filtraggio dell'acqua della piscina; è la posizione maggiormente utilizzata. L'acqua viene pompata attraverso il filtro a sabbia, dove viene pulita e inviata nuovamente alla piscina.

Ⓞ **Circolazione:** Questa funzione consente la circolazione dell'acqua della piscina senza l'impiego del filtro a sabbia; può essere utilizzata quando il filtro è rotto per raccogliere i rifiuti negli appositi schermi.

⏪ **Lavaggio a controcorrente:** Questa funzione è utilizzata per pulire il letto di sabbia; l'acqua viene pompata verso il basso attraverso la bussola del connettore, spinta verso l'alto attraverso il letto di sabbia e, infine, depositata all'esterno della porta D.

⏩ **Scolo:** Questa funzione consente il deflusso dell'acqua dalla piscina senza l'impiego del filtro; l'acqua viene infatti pompata e depositata all'esterno della porta C anziché inviata nuovamente alla piscina.

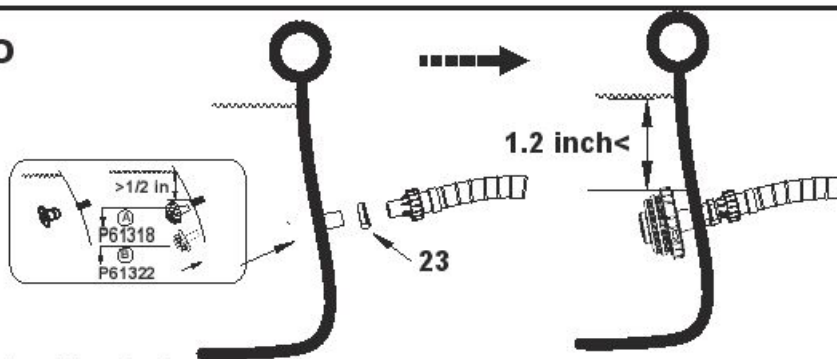
💧 **Risciacquo:** Questa funzione è utilizzata per l'avvio iniziale, la pulizia e il livellamento del letto di sabbia dopo il lavaggio a controcorrente; l'acqua viene pompata verso il basso attraverso il letto di sabbia, spinta verso l'alto attraverso la bussola del connettore e depositata all'esterno della porta D della valvola.

✕ **Chiusura:** Questa funzione interrompe il flusso dell'acqua tra il filtro a sabbia e la piscina.

NOTA:

- Assicurarsi che tutte le modalità di smaltimento delle acque di scarto soddisfino le normative locali, regionali o statali. Non scaricare l'acqua nei punti in cui può causare inondazioni o danni.
- Quando la valvola di controllo è impostata sulle posizioni di lavaggio a controcorrente, risciacquo o scolo, l'acqua viene scaricata dalla porta D sulla valvola stessa.
- Non collegare o azionare il filtro a sabbia quando la valvola di controllo è impostata sulla funzione di chiusura o altrimenti la pompa si danneggerà in modo irreparabile.
- Non impostare mai la valvola di controllo tra due funzioni in quanto potrebbero verificarsi delle perdite.
- Per evitare perdite d'acqua, avvitare il tappo della porta D sulla porta D della valvola di controllo prima di azionare il filtro a sabbia.

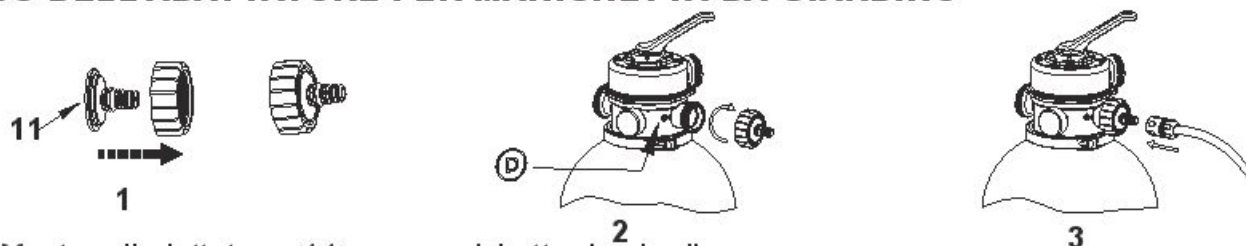
USO DELL'ADATTATORE PER TUBO



Piscina con valvole (\varnothing 3,2 cm)

- 1) Collegare gli adattatori (22) al tubo.
- 2) Collegare i tubi alle lettere corrispondenti sulla piscina.
- 3) Collegare i tubi al filtro a sabbia premendo il raccordo del tubo sul foro della pompa. Avvitare gli anelli di blocco filettati e accertarsi che le lettere sulla piscina e sul filtro a sabbia corrispondano (A con A, B con B).
- 4) Rimuovere gli spinotti di arresto dalle valvole di ingresso e uscita della piscina e inserire i filtri per detriti (26).
- 5) Dopo aver applicato i tubi e i filtri per detriti (26), stringere le fascette per i tubi (23).

USO DELL'ADATTATORE PER MANICHETTA DA GIARDINO



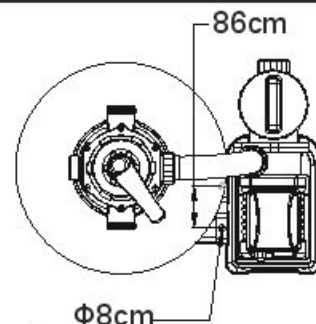
1. Montare l'adattatore (11) per manichetta da giardino.
2. Avvitare l'adattatore (11) per manichetta da giardino sul foro D del filtro a sabbia.
3. Fissare la manichetta da giardino al relativo adattatore.

NOTA:

1. L'adattatore (11) per manichetta da giardino può essere adoperato solo per lo scarico e può essere applicato solo al foro D del filtro a sabbia.
2. Spegner e scollegare il filtro a sabbia prima di montare l'adattatore (11) per manichetta da giardino e collocare la valvola di controllo in posizione di chiusura.
3. Accertarsi che la rondella sia in posizione prima di montare l'adattatore (11) per manichetta da giardino.

Sezione I: Montaggio (È necessario un cacciavite Phillips)

1. Rimuovere con cura tutti i componenti dalla confezione e verificare che non ci sia nulla di danneggiato. Se il dispositivo presenta dei danni, rivolgersi immediatamente al rivenditore presso il quale è stato effettuato l'acquisto.
2. Il filtro a sabbia deve essere posizionato su una superficie piana e uniforme, preferibilmente in cemento. Posizionare il filtro a sabbia in modo da rendere possibile l'azionamento, la manutenzione e la conservazione delle porte e della valvola di controllo.
3. In base allo standard EN60335-2-41 TEST, il filtro a sabbia deve essere fissato verticalmente a terra o ad un basamento in legno o cemento prima dell'utilizzo al fine di impedire eventuali cadute accidentali. Il peso del filtro a sabbia montato supera i 18kg. I fori di montaggio devono avere un diametro di 8 mm ed essere distanziati tra loro di 86mm. Utilizzare due bulloni e dadi con un diametro di massimo 8 mm per fissare il filtro a sabbia al basamento.

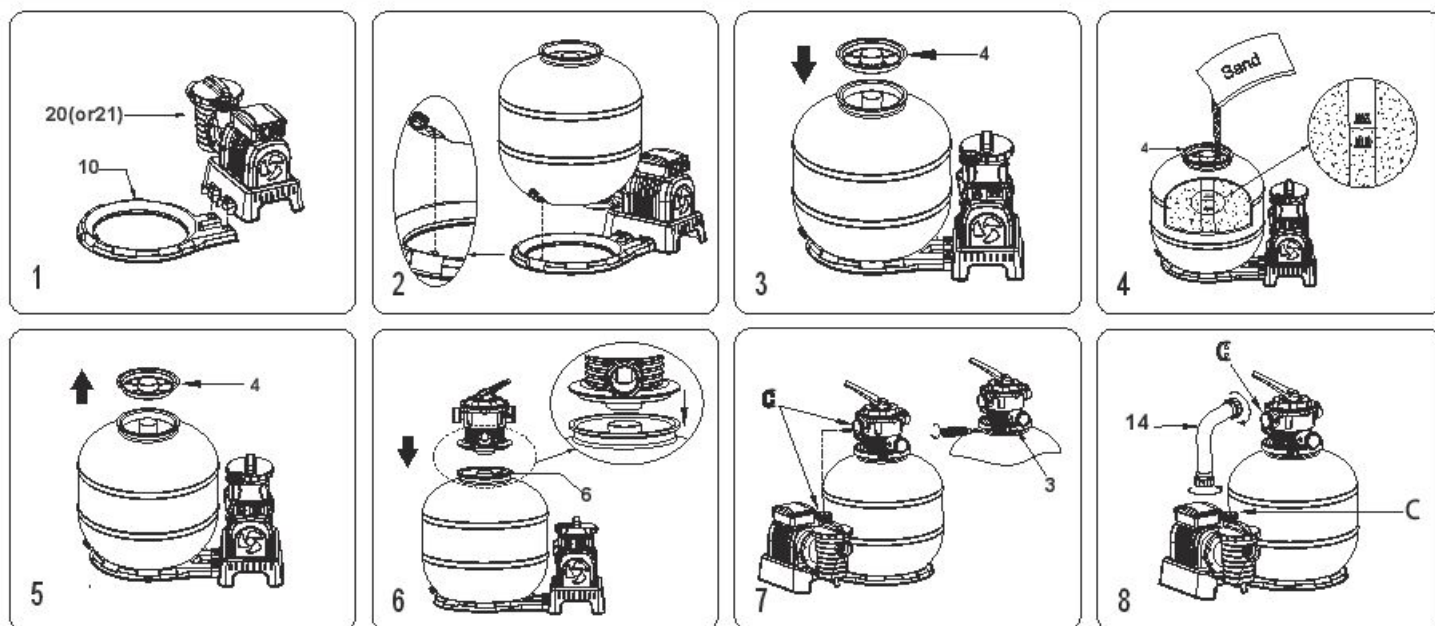


Caricare pool-grado filtro a sabbia

NOTA: Utilizzare solo sabbia per filtri adatta a piscine, priva di calcare o argilla. Dovrebbe essere sufficiente una confezione da 35kg di sabbia di silice n. 20 da 0,45-0,85mm. L'uso di una sabbia non adeguata può compromettere il risultato dell'operazione di filtraggio e danneggiare il filtro a sabbia, rendendo nulla la garanzia.

NOTA: Per non danneggiare lo skimmer quando si aggiunge la sabbia, versare dell'acqua nel serbatoio inferiore in modo da sommergere lo skimmer sulla bussola del collettore.

NOTA: SABBIA NON INCLUSA.



1. Collocare la base del serbatoio in posizione, allineando il foro di posizione.
2. Posizionare correttamente il serbatoio sulla sua base.
3. Collocare il tappo del filtro (4).
4. Aggiungere lentamente la sabbia in modo che il suo peso non danneggi lo skimmer sul mozzo, fino a che il livello non sia compreso tra le indicazioni "MAX" e "MIN". #20 Sabbia di silice 0,45-0,85 mm, circa 35 kg.
5. Estrarre il tappo del filtro (4).
6. Abbassare lentamente la valvola di controllo sul serbatoio e assicurarsi che il tubo di bypass che sporge al di sotto della valvola stessa sia fissato saldamente nel mozzo (6).
7. Accertarsi che il foro C sulla valvola di controllo sia allineato con il foro C sulla pompa. Collegare il morsetto della flangia(3) superiore e avvitarlo in posizione.
8. Fissare il tubo(14) al foro C della pompa e al foro C della valvola di controllo, avvitare gli anelli di blocco filettati in posizione. Accertarsi che la rondella sia in posizione corretta su entrambe le estremità del tubo(14).

Sezione II: Configurazione del tubo flessibile per il lavaggio a controcorrente e il risciacquo

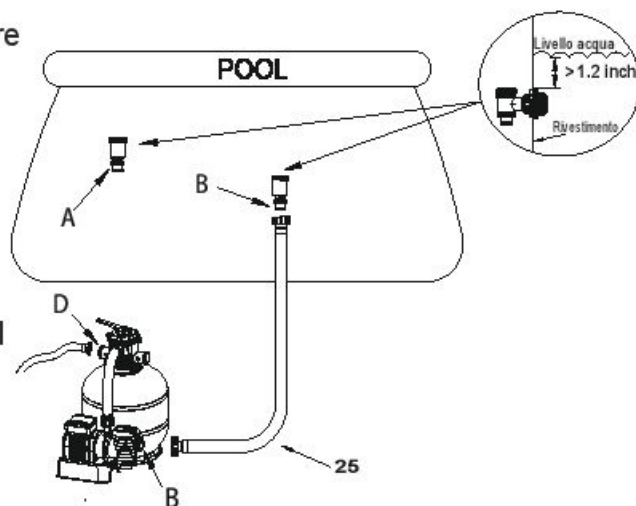
NOTA: Assicurarsi che la valvola di controllo sia impostata sulla funzione di chiusura.

La piscina deve essere riempita con acqua, assicurarsi che gli schermi protettivi per i detriti della piscina siano completamente sommersi dall'acqua.

1. Fissare un tubo (25) al foro B del filtro a sabbia; avvitare l'anello di blocco filettato in posizione.
2. Avvitare l'altra estremità del tubo (25) alla valvola di collegamento del foro B; avvitare l'anello di blocco filettato in posizione.
3. Aprire la valvola di collegamento

NOTA: Per l'installazione della valvola di connessione è anche possibile fare riferimento alle istruzioni riportate sul manuale della piscina.

4. Collegare l'altro flessibile alla porta D e posizionare l'estremità opposta nell'area di drenaggio.



Sezione III: Lavaggio a controcorrente e risciacquo

Il lavaggio a controcorrente e il risciacquo sono operazioni da eseguire per preparare la pompa al primo utilizzo e lavare la sabbia.

ATTENZIONE: NON UTILIZZARE IL FILTRO A SABBIA SENZ'ACQUA

1. Spingere verso il basso la maniglia della valvola di controllo e ruotare sulla funzione di lavaggio a controcorrente.
2. Inserire la spina in un interruttore differenziale, accendere il filtro a sabbia e tenerlo acceso per 3-5 minuti o fino a quando l'acqua diventa pulita.
3. Togliere la spina del filtro a sabbia e impostare la valvola di controllo sulla funzione di risciacquo.
4. Inserire la spina e azionare il filtro a sabbia per un minuto. In questo modo l'acqua circola all'indietro attraverso il filtro a sabbia e viene fatta defluire dalla porta D.
5. Scollegare il filtro a sabbia. Impostare la valvola di controllo sulla funzione di chiusura.
6. Riempire d'acqua.

IMPORTANTE: Questa procedura elimina l'acqua della piscina che deve essere sostituita.

Scollegare immediatamente il filtro a sabbia se l'acqua è quasi a livello delle valvole di entrata e uscita della piscina.

NON UTILIZZARE IL FILTRO A SABBIA SENZ'ACQUA.

Sezione IV: Completamento dell'installazione del filtro a sabbia

Collegare il secondo tubo flessibile

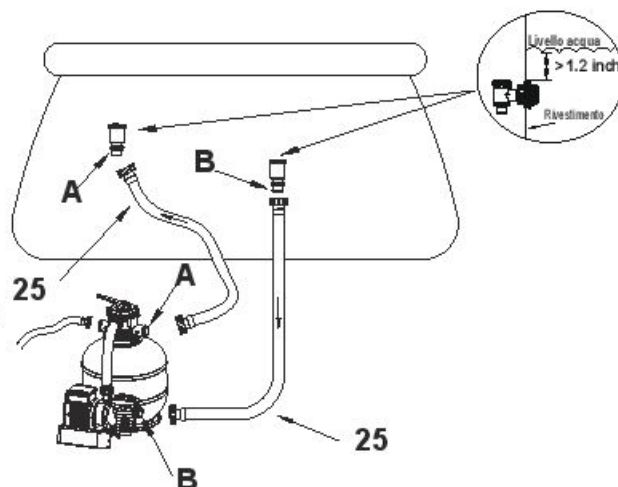
NOTA: È importante e necessario controllare che i collegamenti idraulici non siano ostruiti.

NOTA: Assicurarsi che la valvola di controllo sia impostata sulla funzione di chiusura.

Montaggio

1. Scollegare il tubo (25) flessibile dalla porta D.
2. Collegare il tubo (25) flessibile alla porta A della valvola di controllo e avvitare l'anello di bloccaggio filettato in posizione.
3. Collegare l'altra estremità del tubo (25) flessibile all'uscita A della piscina.
4. Aprire la valvola di connessione.

NOTA: Per l'installazione della valvola di connessione è anche possibile fare riferimento alle istruzioni riportate sul manuale della piscina.



Sezione V: Funzionamento del filtro a sabbia

1. Ora il filtro a sabbia è pronto per essere utilizzato. Impostare la valvola di controllo sulla funzione di filtraggio.

NOTA: Per evitare il rischio di scossa elettrica, asciugarsi con cura ed eliminare l'acqua in eccesso dal filtro a sabbia.

IMPORTANTE: Prima di procedere, assicurarsi che il serbatoio sia posizionato in modo stabile sulla sua base e correttamente collegato alla pompa.

2. Per azionare il filtro a sabbia, accenderlo.

NOTA: A questo punto il filtro a sabbia inizia il suo ciclo di filtraggio. Verificare che l'acqua ritorni alla piscina e prendere nota della pressione del filtro indicata sul manometro. In genere la pressione del filtro a sabbia consigliata è inferiore a 0.56Bar (8.0PSI) durante il funzionamento.

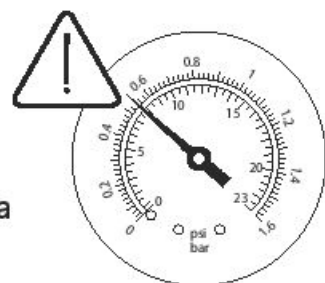


Manutenzione del filtro a sabbia

ATTENZIONE: Assicurarsi che il filtro a sabbia sia spento e scollegato prima di eseguire qualsiasi operazione di manutenzione. In questo modo si evita il rischio di lesioni o morte.

Quando si forma della sporcizia nel filtro a sabbia, la pressione indicata sul manometro aumenta. Quando il manometro indica 0.56Bar (8.0PSI) o un valore superiore oppure il flusso dell'acqua alla piscina è troppo lento, è necessario pulire la sabbia. Per pulire il letto di sabbia, seguire le istruzioni riportate in precedenza nella

Sezione II; Sezione III: Lavaggio a controcorrente e risciacquo.



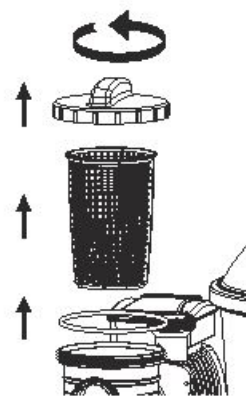
NOTA:

1. il manometro serve solo a scopo di manutenzione e il valore indicato è solo di riferimento, per cui il manometro non essere utilizzato come strumento di precisione.
2. si raccomanda di pulire il letto di sabbia una volta al mese o con una frequenza minore, a seconda di quanto viene utilizzata la piscina. Non pulire la sabbia con una frequenza eccessiva.

Pulizia del filtro

1. Scollegare il filtro a sabbia e impostare la valvola di controllo sulla funzione di chiusura.
2. Sostituire gli schermi per detriti con spinotti di arresto per impedire all'acqua di fuoriuscire.
3. Svitare il coperchio del filtro per rimuoverlo.
4. Estrarre e pulire il filtro.
5. Riposizionare il filtro, assicurandosi che i fori siano allineati.
6. Verificare che l'anello di tenuta sia in posizione. Riavvitare il coperchio del filtro.
7. Rimuovere gli spinotti di arresto e inserire i filtri per detriti

NOTA: Il filtro deve essere svuotato e pulito regolarmente. Un filtro sporco o bloccato riduce notevolmente le prestazioni del filtro a sabbia.



Abbassamento o scolo dell'acqua della piscina

1. Togliere la spina del filtro a sabbia e impostare la valvola di controllo sulla funzione di scolo.
2. Scollegare il tubo flessibile dall'ingresso A della piscina e dalla porta A del filtro a sabbia per collegare la porta D.
3. Accendere il filtro a sabbia per rimuovere l'acqua della piscina.

ATTENZIONE: NON UTILIZZARE IL FILTRO A SABBIA SENZ'ACQUA.

Preparazione per l'inverno e stoccaggio a lungo termine

In zone con temperature invernali al di sotto dello zero, questa apparecchiatura per piscina deve essere conservata adeguatamente per evitare eventuali danneggiamenti. Il congelamento dell'acqua rovina il filtro a sabbia, danno non coperto dalla garanzia.

1. Eseguire il lavaggio a controcorrente del filtro a sabbia secondo quanto riportato in precedenza.
2. Far defluire l'acqua dalla piscina rispettando le istruzioni riportate nel manuale d'uso.
3. Aprire il tappo di scolo sul fondo del serbatoio e lasciar defluire l'acqua residua.
4. Scollegare i due tubi flessibili dalla piscina e dal filtro a sabbia.
5. Svuotare completamente il serbatoio dalla sabbia e asciugare tutti i componenti.
6. Spostare il filtro a sabbia lontano dalla piscina e conservarlo al coperto in un luogo asciutto fuori dalla portata dei bambini.

RISOLUZIONE DEI PROBLEMI

Problemi	Cause probabili	Soluzioni
Entra sabbia nella piscina	<ul style="list-style-type: none">- La sabbia è troppo sottile- Passare la valvola di controllo dalla funzione riflusso alla funzione filtro senza arrestare il filtro a sabbia- Il livello della sabbia è eccessivo- Lo skimmer è rotto	<ul style="list-style-type: none">- Si consiglia di utilizzare sabbia di silice n. 20 (0,45-0,85 mm)- Arrestare il filtro a sabbia ogni volta che si imposta la valvola di controllo- Controllare che il livello della sabbia sia compreso tra le indicazioni "MAX" e "MIN" riportate sul mozzo- Sostituire lo skimmer
Assenza di flusso d'acqua	<ul style="list-style-type: none">- Gli spinotti di arresto non sono stati rimossi- La valvola di controllo è in posizione di chiusura- Il filtro è bloccato- Il filtro a sabbia è rotto	<ul style="list-style-type: none">- Rimuovere gli spinotti di arresto e inserire i filtri per detriti- Impostare la funzione filtro- Pulire il filtro- Rivolgersi all'assistenza
Eccessiva pressione del filtro	<ul style="list-style-type: none">- Il filtro è sporco- Il letto di sabbia si è calcificato- Il riflusso non è sufficiente- Il manometro è rotto	<ul style="list-style-type: none">- Lavare in controflusso- Esaminare la sabbia e sostituirla, se necessario- Lavare in controflusso fino a quando l'acqua di scarico esce pulita- Sostituire il manometro
La valvola di controllo perde dall'apertura D	<ul style="list-style-type: none">- La valvola di controllo è stata impostata tra le due funzioni- La guarnizione è rotta	<ul style="list-style-type: none">- Impostare una sola funzione- Sostituire la guarnizione
I connettori perdono	<ul style="list-style-type: none">- La guarnizione dei connettori è fuori posto- La guarnizione dei connettori è rotta- I manicotti sono allentati	<ul style="list-style-type: none">- Ricollocare la guarnizione nella giusta posizione- Sostituire la guarnizione- Stringere i connettori

Garanzia limitata del produttore BESTWAY®

Il prodotto acquistato è coperto da una garanzia limitata. Bestway® garantisce che il prodotto è privo di difetti di fabbrica che possono causare perdite; in caso di difetti, il prodotto verrà sostituito.

La seguente disposizione è valida solo all'interno degli Stati membri dell'Unione europea: la garanzia limitata BESTWAY non avrà alcun effetto sulle disposizioni di legge della Direttiva 1999/44/CE.

La garanzia limitata è valida: 1 anno per il filtro a sabbia dalla data di acquisto.

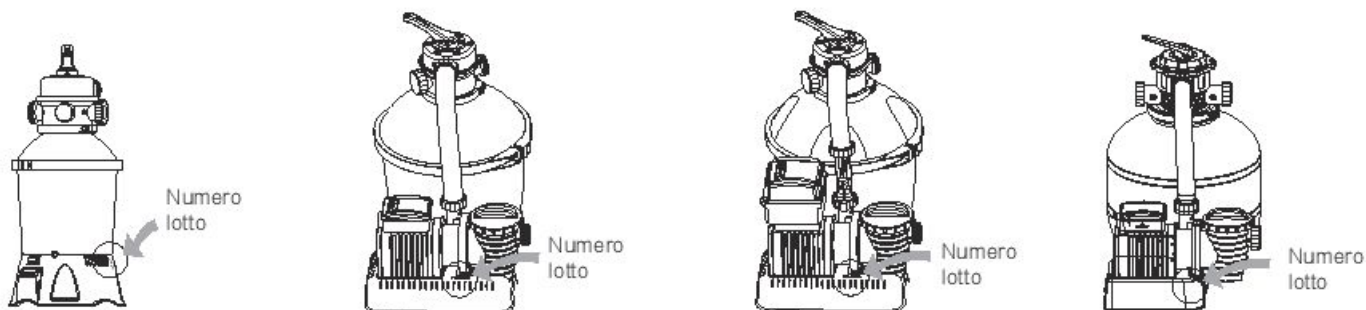
Per utilizzare la garanzia, compilare questo modulo e inviarlo assieme a una copia della ricevuta d'acquisto al centro post-vendita Bestway locale. Prima di inviare i documenti, rivolgersi al centro post-vendita Bestway per ricevere le istruzioni dettagliate sugli elementi da fornire per l'applicazione della garanzia. Bestway® non sostituisce i prodotti se ritiene che siano stati utilizzati in maniera non corretta o non conforme alle istruzioni riportate nel manuale d'uso.

La garanzia Bestway copre eventuali difetti di fabbricazione rilevati in fase di disimballaggio del prodotto o durante l'uso in conformità alle istruzioni fornite nel manuale dell'utente. La garanzia è valida solo se il prodotto non è stato modificato. Conservare e utilizzare il prodotto secondo in conformità alle raccomandazioni tecniche.

La garanzia non copre danni causati da errato/cattivo utilizzo o negligenza, inclusi, ad esempio, urti, incendi, tensioni errate, esposizione a calore eccessivo, installazione non corretta, errori di cablaggio o di controllo, e stoccaggio inadeguato.

Le riparazioni e le sostituzioni non implicano un prolungamento della durata della garanzia. La garanzia limitata è valida a partire dal periodo indicato sopra e la data da considerare come inizio è quella riportata sulla fattura o sulla ricevuta di acquisto originale.

Copiare il numero di lotto indicato sull'involucro del filtro a sabbia.



Numero lotto: _____ Data della ricevuta di acquisto: _____

A: ASSISTENZA BESTWAY® DATA: _____ Codice cliente: _____

FAX/EMAIL/TEL.: fare riferimento ai dati relativi al proprio paese, riportati sul retrocopertina o reperibili sul sito Web Bestway: www.bestway-service.com

Fornire il proprio indirizzo completo. Nota: se si fornisce un indirizzo incompleto, la spedizione potrebbe subire ritardi.

Bestway si riserva il diritto di addebitare i costi di riconsegna di merce non recapitata per cause imputabili al destinatario.

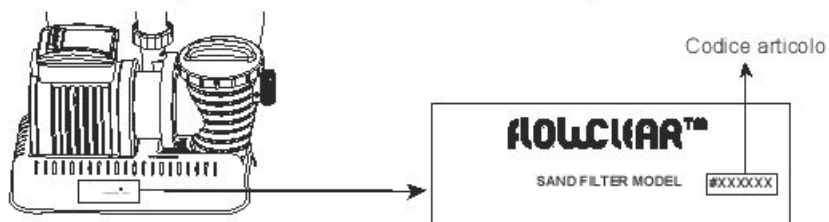
INFORMAZIONI INDISPENSABILI – INDICARE L'INDIRIZZO DI CONSEGNA

Nome: _____ Indirizzo: _____ Codice postale: _____

Paese: _____ Città: _____ Numero telefonico (cellulare): _____

Numero telefonico (fisso): _____ Fax: _____ EMAIL: _____

Rivenditore: _____ Scrivere chiaramente il codice dell'articolo: _____



I disegni sono riportati solo a scopo illustrativo. I disegni non sono in scala.

Descrizione del problema

- Perde acqua
- Non funziona più
- Prodotto incompleto, indicare la parte mancante – Inserire il codice indicato nel manuale di istruzioni _____
- Altro (specificare) _____

IMPORTANTE: VERRANNO SOSTITUITI SOLO I COMPONENTI DANNEGGIATI, NON TUTTO IL PRODOTTO.

Bestway si riserva il diritto di richiedere prove fotografiche o l'invio dei componenti difettosi per ulteriori verifiche.

Per ottenere la migliore assistenza possibile, occorre fornire tutte le informazioni.

PER CONSULTARE LE DOMANDE FREQUENTI, SCARICARE I MANUALI, VISUALIZZARE I VIDEO O REPERIRE RICAMBI, VISITATE IL NOSTRO SITO WEB WWW.BESTWAY-SERVICE.COM.

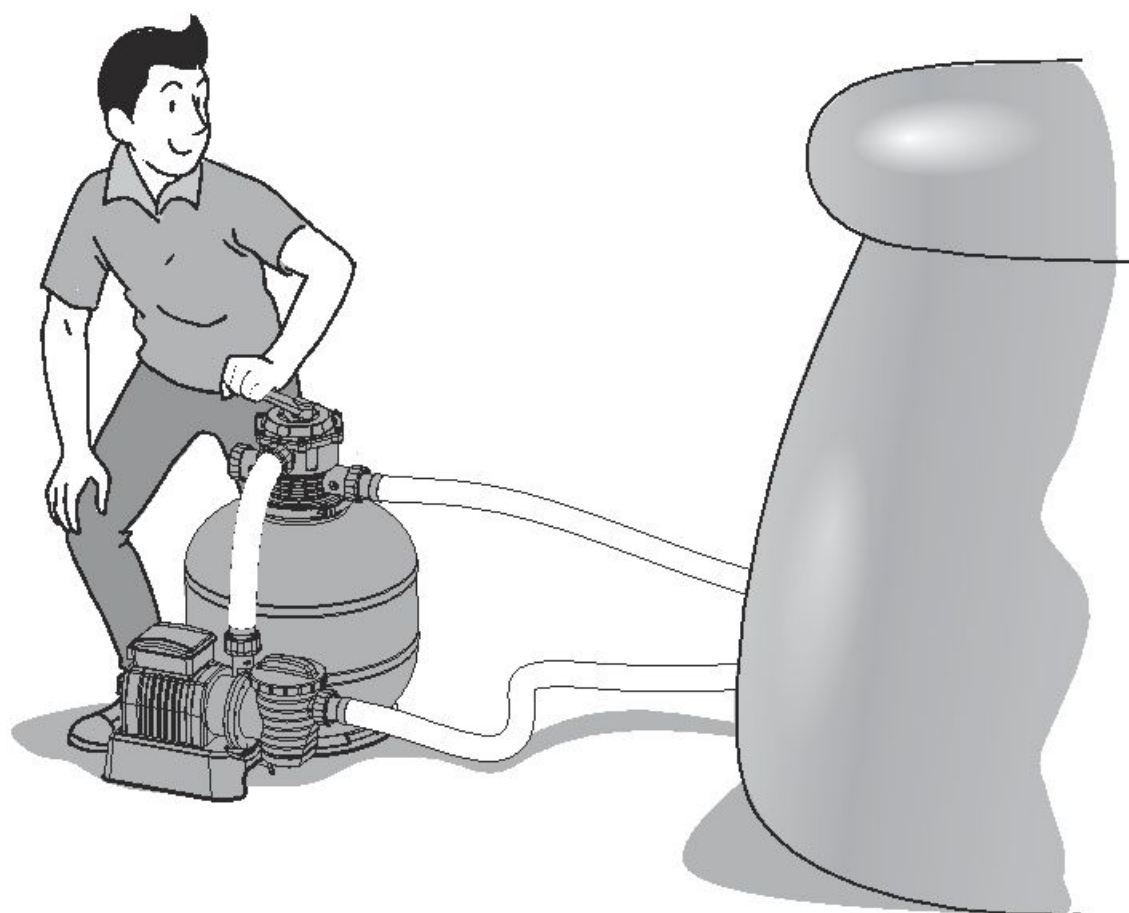
I VIDEO SONO DISPONIBILI ANCHE SUL NOSTRO CANALE BESTWAY SU YOUTUBE:

<http://youtube.com/user/BestwayService>.

Bestway.

#58366

Hmax 1.5m Hmin 0.19m IPX5



FILTRE A SABLE FLOWCLEAR™ MANUEL DE L'UTILISATEUR

www.bestway-global.com
www.bestway-service.com



ATTENTION**IMPORTANTES CONSIGNES DE SÉCURITÉ LISEZ ET RESPECTEZ TOUTES CES INSTRUCTIONS DE SÉCURITÉ. À LIRE ATTENTIVEMENT ET À CONSERVER POUR UNE CONSULTATION ULTÉRIEURE.**

Vous devez toujours respecter les précautions de sécurité de base concernant l'installation et l'utilisation de cet équipement électrique qui comprennent :

- La pompe doit être munie d'un transformateur de séparation ou d'un dispositif à courant résiduel (RCD) qui répond avec une intensité de courant ne dépassant pas 30 mA.
- La source d'alimentation sur la paroi du bâtiment devrait rester à plus de 4 m de la piscine et à une hauteur d'au moins 1,2 m.
- L'appareil doit être alimenté par une source électrique mise à la terre.
- **RISQUE D'ÉLECTROCUTION** - Il est interdit d'utiliser la pompe quand des gens se trouvent à l'intérieur de la piscine. Interdire l'accès au bassin en cas de détérioration du ou des système(s) de filtration.
- **NE PAS ENTERRER LE CORDON.** Placer le cordon de manière à minimiser les risques encourus par le passage de tondeuses, tronçonneuses et autres équipements.
- Pour réduire les risques d'électrocution, remplacer immédiatement tout cordon endommagé.
- Si le câble d'alimentation est endommagé, il doit être remplacé par le fabricant, son service après vente ou des personnes de qualification similaire afin d'éviter un danger.
- Il est impossible d'utiliser des rallonges.
- Risque d'électrocution. L'utilisation du filtre à sable avec une alimentation électrique non correspondante est dangereuse et peut endommager de manière permanente le filtre à sable.
- N'enlevez pas la broche de mise à terre et ne modifiez d'aucune manière la fiche. N'utilisez pas de fiches d'adaptation. Consultez un électricien qualifié pour toutes les questions concernant la validité de vos fiches ou de la mise à terre.
- Manipulez le filtre à sable avec soin. Ne tirez pas ou ne transportez pas le filtre à sable par son cordon d'alimentation. Ne débranchez jamais une fiche de la prise en tirant sur le cordon d'alimentation. Le cordon doit être sans abrasions. N'exposez jamais le filtre à sable à des objets pointus, de l'huile, des pièces en mouvement et de la chaleur.
- Débranchez toujours l'appareil de la prise électrique avant d'enlever, de nettoyer, de réparer toute pièce et d'effectuer tout réglage sur l'appareil.
- Ne pas brancher ou débrancher l'appareil avec les mains humides.
- Toujours débrancher l'appareil.
 - Les jours de pluie
 - Avant le nettoyage ou une autre opération de maintenance
 - Si vous partez en vacances
- Si l'appareil ne doit pas être utilisé pendant une période prolongée comme en hiver, le kit de piscine doit être démonté et stocké à l'intérieur.
- **Attention:** Lire les instructions avant chaque utilisation et installation/assemblage de l'appareil.
- Conservez les instructions. Pour la reconstruction de la piscine, à tout moment, consultez également les instructions.
- Si les instructions sont manquantes, contactez Bestway ou recherchez sur le site web: www.bestway-service.com
- Les installations électriques doivent suivre les règles nationales de câblage. Consultez un électricien qualifié pour toutes les questions.

AVERTISSEMENT: Ce filtre à sable doit être utilisé uniquement dans des piscines démontables. Il ne doit pas être utilisé dans des piscines fixes. Une piscine démontable est conçue pour pouvoir être facilement démontée pour son stockage et remontée dans son intégrité d'origine. Une piscine fixe est construite sur ou dans le sol ou dans un bâtiment et elle ne peut pas être facilement démontée pour le stockage.

- Cet appareil peut être utilisé par des enfants à partir de 8 ans et plus et par des personnes avec des capacités physiques, sensorielles ou mentales réduites ou un manque d'expérience et de connaissances s'ils sont surveillés ou ont reçu des instructions concernant l'utilisation de l'appareil d'une manière sûre et s'ils comprennent les risques impliqués. Les enfants ne doivent pas jouer avec l'appareil. Le nettoyage et la maintenance ne doivent pas être effectués par un enfant sans surveillance. (Pour le marché européen)
- Cet appareil n'est pas conçu pour être utilisé par des personnes à capacités physiques, sensorielles ou intellectuelles réduites ou sans expérience et connaissances, s'ils sont sous surveillance ou bien s'ils ont été informés quant à l'utilisation de l'appareil par une personne responsable de leur sécurité. Surveiller les

enfants pour s'assurer qu'ils ne jouent pas avec l'appareil (pour le marché hors Union Européenne).

- Le nettoyage et la maintenance doivent être effectués par un personnel adulte de plus de 18 ans qui est consciente du risque de choc électrique.

REMARQUE:

- Placez le filtre à sable sur un sol solide et à niveau. Assurez-vous que le filtre à sable soit à au moins 2 mètres du bord de la piscine. La distance doit être la plus grande possible.
- Faites attention de placer la piscine et le filtre à sable de manière telle qu'une bonne ventilation, un bon écoulement et l'accès pour l'entretien soient disponibles. Ne placez jamais le filtre à sable dans une zone où de l'eau pourrait s'accumuler ou bien sur un sentier où beaucoup de personnes passent.
- La prise doit être accessible une fois la piscine installée. La prise du filtre à sable devra être à au moins 3,5 mètres de la piscine.
- Les conditions atmosphériques peuvent affecter les performances et la durée de vie du filtre à sable; prenez les précautions appropriées pour protéger le filtre à sable contre une usure non nécessaire qui pourrait se produire pendant des périodes de temps chaud ou froid et/ou après l'exposition au soleil.
- Contrôlez et vérifiez SVP que tous les composants du filtre à sable sont présents avant l'utilisation. Informez Bestway à l'adresse du service clientèle répertoriée dans ce manuel en cas de dommage ou de pièces manquantes au moment de l'achat.
- Il est impératif de changer dans les délais les plus brefs tout élément ou ensemble d'éléments détériorés. N'utiliser que des pièces agréées par le responsable de la mise sur le marché.
- Ne permettez pas à des enfants ou à des adultes de s'appuyer ou de s'asseoir sur l'appareil.
- N'ajoutez pas de produits chimiques dans le filtre à sable.
- Lorsque des produits chimiques ont été utilisés pour traiter l'eau du bassin, il est recommandé de respecter un temps minimum de filtration pour préserver la santé des baigneurs qui dépend du respect des règles sanitaires.
- Seuls les agents fournis ou spécifiés par le fabricant doivent être utilisés avec l'installation du produit.
- Il est essentiel de contrôler que les ouvertures d'aspiration ne sont pas obstruées.
- Il est conseillé d'interrompre la filtration durant les opérations d'entretien sur le système de filtration.
- Supervisez régulièrement le niveau d'obstruction du filtre.
- Il est recommandé de contrôler une fois par semaine le lavage à contre-courant ou le nettoyage. Le temps de fonctionnement minimal de la filtration quotidienne de 8 heures est recommandé pour garantir une eau de piscine limpide.
- Il est essentiel de modifier tout élément ou groupe d'éléments endommagé dès que possible. N'utilisez que des pièces agréées par la personne responsable de la mise sur le marché du produit.
- Tous les filtres et les agents de filtration doivent être inspectés régulièrement pour garantir que les débris ne s'accumulent pas car cela empêcherait une bonne filtration. L'élimination de tout agent de filtration utilisé doit être effectuée conformément aux règlements/lois applicables.
- Respectez toutes les recommandations et consignes de sécurité figurant dans la notice. En cas de doute sur la pompe ou tout dispositif de circulation, veuillez contacter un installateur qualifié ou bien le fabricant/l'importateur/le distributeur. L'installation de la circulation de l'eau doit être conforme aux directives européennes ainsi qu'aux règlements nationaux/locaux, en particulier en ce qui concerne les problèmes électriques. Tout changement de position d'une vanne, taille de pompe, taille de grille peut provoquer un changement de débit et la vitesse d'aspiration peut donc augmenter.
- Ce produit n'est pas destiné pour utilisation commerciale.

Veillez lire attentivement la notice d'instructions et conservez-la pour pouvoir la consulter en cas de besoin.

CONSERVEZ CES INSTRUCTIONS

MISE AU REBUT

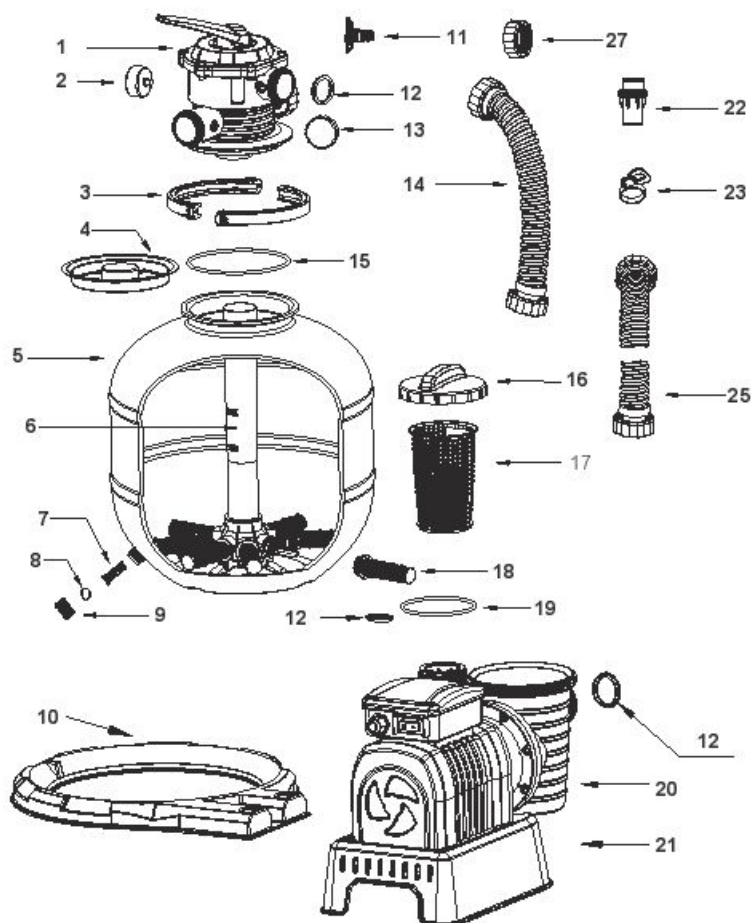
-  **Signification du symbole d'un caisson d'ordures barré:**
Ne pas éliminer les appareils électriques comme un déchet habituel, utiliser les systèmes de collecte séparés.

Contactez votre collectivité locale pour les informations concernant les systèmes de collecte disponibles. Si les appareils électriques sont éliminés dans une décharge publique, des substances dangereuses peuvent s'écouler dans la nappe phréatique et entrer dans la chaîne alimentaire et porter atteinte à votre santé et à votre bien-être.

Quand vous remplacez un ancien appareil par un nouveau, le détaillant a l'obligation légale de reprendre votre ancien appareil pour son élimination sans aucune dépense de votre part.

VUE D'ENSEMBLE DES PIÈCES

Avant de monter le filtre à sable, prenez quelques minutes pour vous familiariser avec toutes ses pièces.

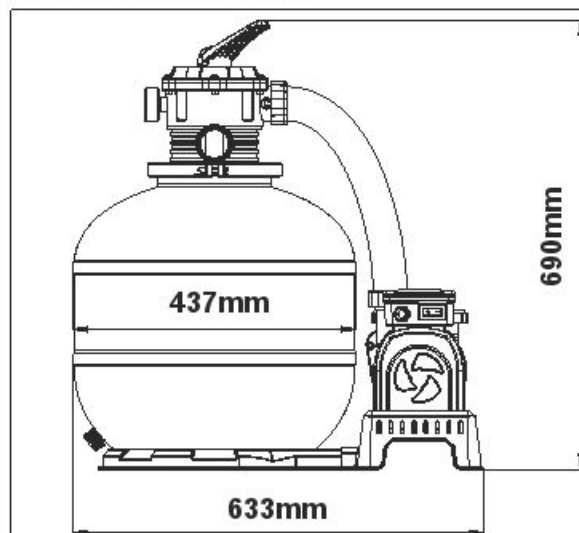


RÉF N°	DESCRIPTION	Q.TÉ	PIÈCE DE RECHANGE N°
1	Vanne de commande	1	P61204
2	Manomètre	1	P61138
3	Bride	2	P61205
4	Couverture moyeu	1	P61209
5	Réservoir	1	P61213
6	Moyeu	1	P61206
7	Cartouche pollution	1	P61211
8	Rondelle de vidange	1	P6581
9	Bouchon de la vanne de vidange	1	P6580
10	Base de réservoir	1	P61212
11	Adaptateur pour tuyau d'arrosage	1	P6614
12	Rondelle	5	P6029
13	Bouchon de l'orifice D	1	P6540
14	Tuyauterie	1	P6560
15	Joint torique	1	P61214
16	Couvercle de la crépine	1	P6561
17	Crépine	1	P6562
18	Cartouche du filtre	8	P61210
19	Joint d'étanchéité	1	P6563
20	Pompe	1	P61207
21	Pompe (uniquement pour le Royaume-Uni)	1	P61207GB
22	Adaptateur	2	P6916
23	Colliers de serrage	2	P6124
27	Écrou de l'adaptateur	1	P6615

Pièces facultatives

25	Tuyau (Φ38mm 3M)	2	P6028
26	Grille	1	P61322
	Grille	1	P61318

SPÉCIFICATIONS



Diamètre du filtre:	437mm
Surface réelle de filtration:	0.150m ² (1.61ft ²)
Pression maximale de fonctionnement:	1.58Bar (23PSI)
Pression de fonctionnement du filtre à sable:	<0.56Bar (8PSI)
Température maximale de l'eau:	35°C
Sable:	Non compris
Dimensions du sable:	#20 sable siliceux, 0,45-0,85mm
Capacité de sable:	Approximativement 35 kg

VUE D'ENSEMBLE DE LA SOUPAPE DE RÉGLAGE

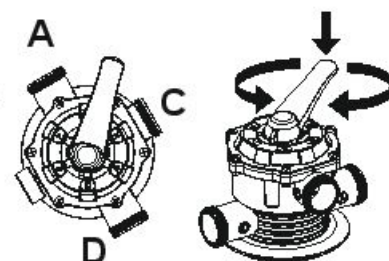
AVERTISSEMENT: Pour éviter des dommages à l'appareil et de possibles blessures, débranchez chaque fois la pompe du filtre à sable avant de changer la fonction de la soupape de réglage. Le changement de position de la soupape quand la pompe est en marche peut endommager la soupape de réglage, ce qui peut provoquer des blessures ou des dommages à l'appareil.

Comment utiliser la soupape de réglage

Appuyez sur la poignée de la soupape de réglage et tournez-la sur la fonction souhaitée.

FONCTIONS DE LA SOUPAPE DE RÉGLAGE

La soupape de réglage est utilisée pour sélectionner 6 différentes fonctions du filtre: Filtration, Rinçage, Circulation, Lavage à contre-courant, Fermeture, Drainage.



▶ Filtration: Cette fonction est utilisée pour filtrer l'eau et de la piscine et la soupape est sur ce réglage 99% des fois. L'eau est pompée à travers le filtre à sable où elle est nettoyée et puis renvoyée dans la piscine.

Ⓞ Circulation: Cette fonction fait circuler l'eau de la piscine en by-passant le filtre à sable ; utilisez cette fonction si le filtre est cassé pour recueillir les débris dans la grille de protection.

⏪ Lavage à contre-courant: Cette fonction est utilisée pour nettoyer la couche de sable ; l'eau est aspirée à travers le collet de raccord, pompée à travers la couche de sable et évacuée par l'orifice D.

Ⓜ Drainage: Cette fonction draine l'eau provenant de la piscine ; c'est un autre réglage de by-pass du filtre, l'eau est pompée et déposée en dehors de l'orifice C, au lieu de retourner dans la piscine.

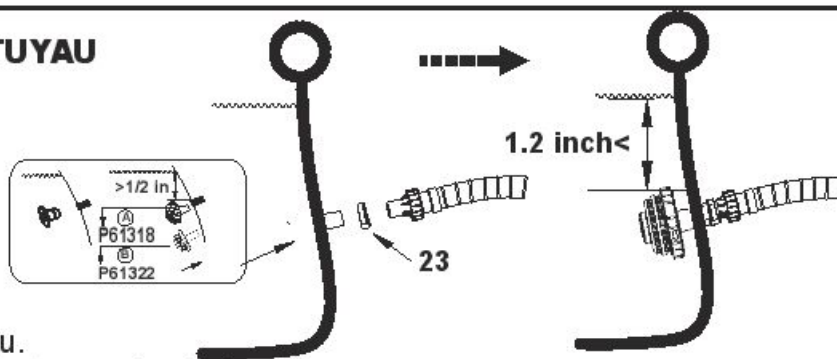
💧 Rinçage: Cette fonction est utilisée pour la mise en marche initiale, le nettoyage et la mise à niveau de la couche de sable après le lavage à contre-courant ; l'eau est aspirée à travers la couche de sable, pompée à travers le collet de raccord et évacuée par l'orifice D.

✕ Fermeture: Cette fonction arrête le passage de l'eau entre le filtre à sable et la piscine.

REMARQUE:

- Contrôlez que toutes les dispositions d'évacuation des eaux usées suivent les réglementations locales ou nationales. N'éliminez pas l'eau là où elle pourrait provoquer une inondation ou des dégâts.
- Quand la soupape de réglage est réglée sur la position Lavage à contre-courant, Rinçage ou Drainage, l'eau est évacuée par l'orifice D de la soupape de réglage.
- Ne branchez pas ou ne faites pas fonctionner le filtre à sable avec la soupape de réglage en position Fermeture car cela pourrait endommager le filtre à sable.
- Ne réglez pas la soupape de réglage entre deux fonctions car elle commencera à fuir.
- Pour éviter les fuites d'eau, vissez le bouchon de l'orifice D sur l'orifice D de la soupape de réglage avant de faire fonctionner le filtre à sable.

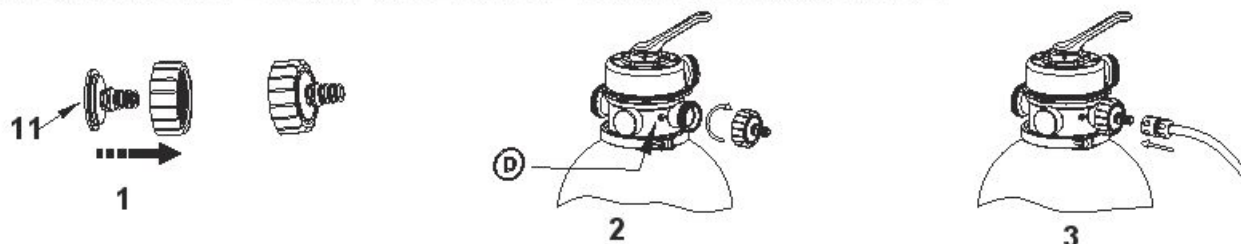
FONCTIONS DE L'ADAPTATEUR DE TUYAU



Piscine avec vannes ($\Phi 3,2$ cm)

- 1) Raccordez les adaptateurs (22) au tuyau.
- 2) Fixez les tuyaux aux lettres correspondantes sur la piscine.
- 3) Fixez les tuyaux au filtre à sable en appuyant le raccord du tuyau sur l'orifice de la pompe. Vissez les bagues de verrouillage filetées à leur emplacement ; vérifiez que les lettres correspondent bien au filtre à sable (A avec A, B avec B).
- 4) Enlevez les bouchons d'obturation des vannes d'entrée et de sortie de la piscine et placez les grilles (26).
- 5) Quand les tuyaux et les grilles (26) sont à leur place, serrez les colliers de serrage (23).

FONCTIONS DE L'ADAPTATEUR DE TUYAU D'ARROSAGE



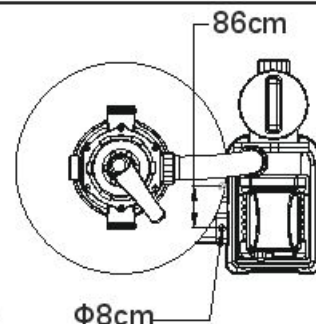
1. Montez l'adaptateur (11) de tuyau d'arrosage.
2. Vissez l'adaptateur (11) de tuyau d'arrosage sur l'orifice D du filtre à sable.
3. Fixez le tuyau d'arrosage sur l'adaptateur (11) de tuyau d'arrosage.

REMARQUE:

1. L'adaptateur (11) de tuyau d'arrosage ne peut être utilisé que pour la vidange, et ne peut être monté que sur l'orifice D du filtre à sable.
2. Éteignez et débranchez toujours le filtre à sable avant de monter l'adaptateur (11) de tuyau d'arrosage et réglez la vanne de commande sur la position Fermé.
3. Vérifiez que la rondelle soit à sa place avant de monter l'adaptateur (11) de tuyau d'arrosage.

Section I: Montage (Vous avez besoin d'un tournevis à pointe cruciforme.)

1. Enlevez tous les composants de l'emballage et contrôlez que rien ne soit endommagé. Si l'appareil est endommagé, avertissez immédiatement le revendeur chez lequel vous avez acheté l'appareil.
2. Le filtre à sable doit être placé sur un sol solide et à niveau, de préférence une dalle en béton. Placez le filtre à sable pour que les orifices et la soupape de réglage soient accessibles pour le fonctionnement, l'entretien et l'hivernage.
3. Le standard TEST EN60335-2-41 demande que le filtre à sable soit fixé en verticale sur le sol ou sur un support en bois ou en béton avant de l'utiliser, afin d'éviter qu'il ne tombe accidentellement. Le filtre à sable complètement monté dépasse les 18 kg. Les trous de montage doivent avoir 8 mm de diamètre et être espacés de 86 mm. Utilisez deux écrous avec un diamètre maximal de 8 mm pour fixer le filtre à sable sur le support.

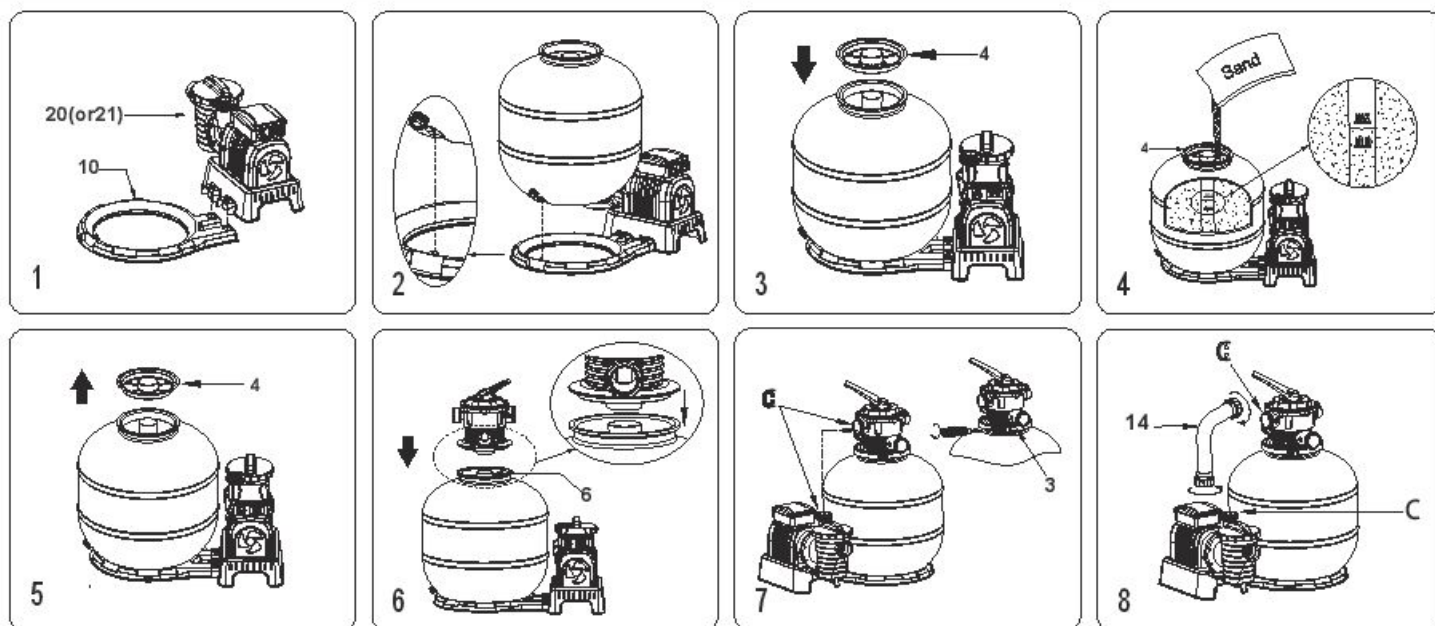


Chargez le sable pour filtre de piscine.

REMARQUE: Utilisez uniquement du sable pour filtre de piscine, sans calcaire ou argile : #20 sable siliceux 0,45-0,85mm, un sac de 35kg environ devrait suffire. Si vous n'utilisez pas la taille recommandée de sable de filtration, les performances de filtration seront réduites et le filtre à sable peut être endommagé, annulant ainsi la garantie.

REMARQUE: Pour éviter d'endommager le dépollueur quand on ajoute le sable, versez un peu d'eau dans le réservoir pour immerger le dépollueur dans le collet de raccord.

REMARQUE: LE SABLE N'EST PAS COMPRIS.



1. Placer la base de réservoir au bon endroit, en alignant le trou de position.
2. Placer le réservoir sur la bonne position de la base du réservoir.
3. Placer le couvercle du filtre (4).
4. Ajoutez lentement du sable de manière à ce que le poids du sable n'abîme pas le skimmer sur le moyeu, jusqu'à ce qu'il arrive entre "MAX" et "MIN". Sable de silice n° 20, 0,45-0,85 mm, environ 35 kg.
5. Retirer le couvercle du filtre (4).
6. Abaissez la vanne de contrôle lentement au-dessus du réservoir, et assurez-vous que la conduite de dérivation qui dépasse sous la vanne de contrôle est bien fixée dans l'emboîtement (6).
7. Assurez-vous que l'orifice C de la vanne de commande soit aligné avec l'orifice C de la pompe. Fixez la bride(3) du haut et vissez-la à son emplacement.
8. Fixez la conduite(14) à l'orifice C de la pompe et à l'orifice C de la vanne de commande, vissez la bague de verrouillage fileté à son emplacement. Vérifiez que la rondelle soit correctement positionnée sur les deux extrémités de la conduite(14).

Section II: Configuration des flexibles pour le lavage à contre-courant et pour le rinçage

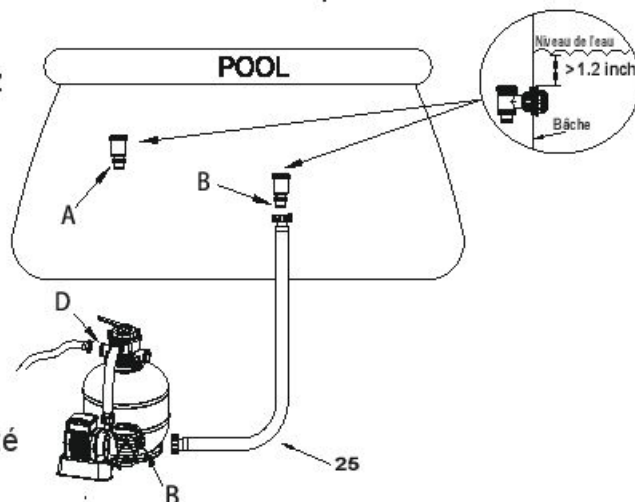
REMARQUE: Assurez-vous que la soupape de réglage soit en fonction Fermeture.

Votre piscine doit être remplie d'eau, assurez-vous que les Filtres à débris de la piscine sont totalement immergés dans l'eau.

1. Fixez un tuyau (25) à l'orifice B du filtre à sable ; vissez la bague de verrouillage fileté à son emplacement.
2. Vissez l'autre extrémité du tuyau (25) sur la vanne de communication de l'orifice B ; vissez la bague de verrouillage fileté à son emplacement.
3. Ouvrez la vanne de communication.

REMARQUE: Faites référence au manuel de la piscine pour les instructions d'installation de la soupape de connexion.

4. Vissez l'autre tuyau à l'orifice D et placez-le à l'extrémité opposée dans la zone de vidange.



Section III: Lavage à contre-courant et Rinçage

Le lavage à contre-courant et le rinçage doivent être réalisés pour préparer la pompe à sa première utilisation et pour laver le sable.

ATTENTION: NE FAITES PAS FONCTIONNER A SEC LE FILTRE A SABLE

1. Appuyez sur la poignée de la soupape de réglage et tournez-la sur la fonction Lavage à contre-courant.
2. Branchez la fiche dans un dispositif différentiel à courant résiduel puis allumez le filtre à sable et faites le fonctionner pendant 3 à 5 minutes ou jusqu'à ce que l'eau qui s'écoule soit transparente.
3. Débranchez le filtre à sable et réglez la soupape de réglage sur la fonction Rinçage.
4. Branchez la fiche et faites fonctionner le filtre à sable pendant 1 minute. Cela fait circuler l'eau vers l'arrière à travers le filtre à sable et drainer l'eau par l'orifice D.
5. Débranchez le filtre à sable. Réglez la soupape de réglage sur la fonction Fermeture.
6. Remplissez d'eau la piscine.

IMPORTANT: Cette procédure enlève l'eau de la piscine que vous devez donc remplacer. Débranchez immédiatement le filtre à sable si l'eau arrive au niveau des soupapes d'entrée et de sortie de la piscine.
NE FAITES PAS FONCTIONNER A SEC LE FILTRE A SABLE

Section IV: Compléter l'installation du filtre à sable

Branchez le deuxième flexible

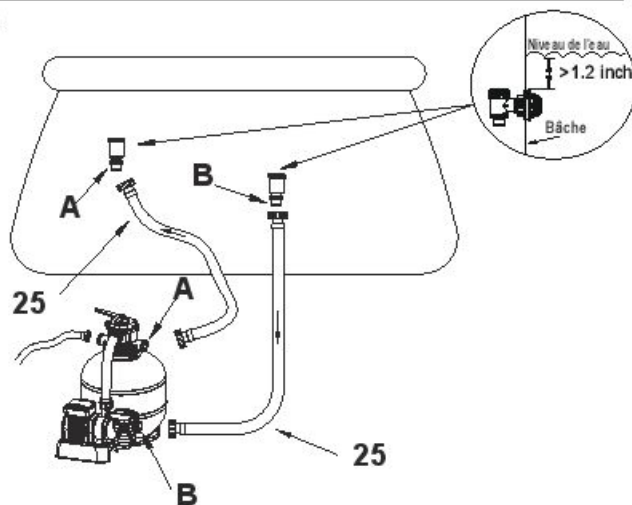
REMARQUE: Il est impératif de vérifier la non obturation des orifices d'aspiration.

REMARQUE: Assurez-vous que la soupape de réglage soit en fonction Fermeture.

Montage

1. Débranchez le tuyau (25) de l'orifice D
2. Fixez le tuyau (25) à l'orifice A de la soupape de réglage ; vissez en position la bague de fixation moletée.
3. Fixez l'autre extrémité du tuyau (25) à la sortie A de la piscine.
4. Ouvrez la soupape de connexion.

REMARQUE : Faites référence au manuel de la piscine pour les instructions d'installation de la soupape de connexion.



Section V: Fonctionnement du filtre à sable

1. Le filtre à sable est prêt pour l'utilisation. Réglez la soupape de réglage sur la fonction Filtration.

REMARQUE: Pour éviter les risques d'électrocution, séchez l'eau sur vous-même et sur le filtre à sable.

IMPORTANT: Avant l'utilisation, assurez-vous que le réservoir est placé debout sur sa base et qu'il est branché correctement sur la pompe.

2. Allumez le filtre à sable pour le faire fonctionner.

REMARQUE: Le filtre à sable commence son cycle de filtration. Contrôlez que l'eau retourne dans la piscine et prenez note de la pression sur le manomètre.

Généralement, la pression recommandée du filtre à sable est inférieure à 0.56Bar (8.0PSI) pendant le fonctionnement.



Entretien du filtre à sable

ATTENTION: Assurez-vous que le filtre à sable soit bien éteint et débranché avant de commencer tout entretien car il existe la possibilité de sérieux risques de blessure ou de mort.

Quand la saleté augmente dans le filtre à sable, la lecture de la pression sur le manomètre augmente. Quand le manomètre indique 0.56Bar (8.0PSI) ou plus, ou si l'eau qui s'écoule dans la piscine est trop faible, il est temps de nettoyer le sable. Pour nettoyer la couche de sable, suivez toutes les instructions indiquées dans la **Section II; Section III: Lavage à contre-courant et Rinçage**



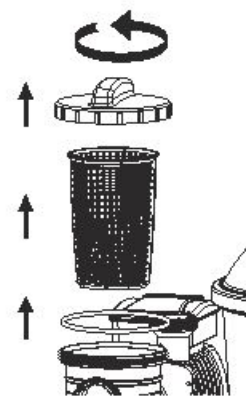
REMARQUE:

1. Le manomètre n'est prévu que pour la maintenance et la valeur du manomètre sert uniquement de référence, il ne faut pas l'utiliser comme instrument de précision.
2. Nous vous conseillons de nettoyer le lit de sable une fois par mois ou moins souvent en fonction de la fréquence d'utilisation de la piscine. Ne nettoyez pas trop souvent le sable.

Nettoyage du tamis

1. Débranchez le filtre à sable et réglez la soupape de réglage sur la fonction Fermée.
2. Remplacez les grilles par des bouchons d'obturation pour éviter que l'eau s'échappe.
3. Enlevez le couvercle du tamis en le dévissant.
4. Retirez le tamis et éliminez tous les déchets.
5. Remettez le tamis en place. Assurez-vous que le tamis soit aligné.
6. Assurez-vous que la bague d'étanchéité soit en place. Vissez le couvercle du tamis.
7. Enlevez les bouchons d'obturation et insérez les grilles.

REMARQUE: Le tamis doit être vidé et nettoyé périodiquement. Un tamis sale ou obstrué réduit les performances du filtre à sable.



Diminution ou drainage de l'eau de la piscine

1. Débranchez le filtre à sable et réglez la soupape de réglage sur la fonction Drainage.
2. Débranchez le flexible de l'entrée A de la piscine et de l'orifice A du filtre à sable, et branchez-le à l'orifice D.
3. Allumez le filtre à sable pour évacuer l'eau de la piscine.

AVERTISSEMENT: NE FAITES PAS FONCTIONNER A SEC LE FILTRE A SABLE Remisage et rangement de longue durée

Dans les zones où les températures hivernales sont très basses, les équipements de la piscine doivent être préparés pour l'hiver afin de les protéger contre des dommages. Laisser geler l'eau endommage le filtre à sable et annule la garantie.

1. Lavez à contre-courant le filtre à sable comme indiqué ci-dessus.
2. Videz la piscine en suivant le manuel de la piscine.
3. Ouvrez l'écrou d'évacuation au bas du réservoir et faites écouler l'eau restante.
4. Débranchez les deux tuyaux de la piscine et du filtre à sable.
5. Retirez complètement le sable du réservoir et séchez tous les composants.
6. Retirez le filtre à sable de la zone de la piscine, stockez le filtre à sable dans un endroit sec en intérieur hors de la portée d'enfant.

DÉPANNAGE

Problèmes	Éventuelles causes	Solutions
Le sable s'écoule dans la piscine	<ul style="list-style-type: none">- Le sable est trop petit- Déplacez la vanne de commande de la fonction contre-courant à celle de filtration sans arrêter le filtre à sable- Le niveau du sable est trop élevé- Le skimmer était cassé	<ul style="list-style-type: none">- Sable de silice n° 20 de 0,45 à 0,85 mm recommandé- Arrêtez le filtre à sable chaque fois que vous réglez la vanne de commande- Vérifiez si le niveau du sable se trouve entre les indications "MAX" et "MIN" sur l'emboîtement- Remplacez le skimmer
L'eau ne s'écoule pas	<ul style="list-style-type: none">- Les bouchons d'obturation n'ont pas été enlevés- La vanne de commande a été réglée sur Fermée- La crépine était bloquée- Le filtre à sable est cassé	<ul style="list-style-type: none">- Enlevez les bouchons d'obturation et insérez les grilles- Réglez sur la fonction de filtration- Nettoyez la crépine- Appelez le service d'assistance
Pression excessive du filtre	<ul style="list-style-type: none">- Filtre sale- Lit de sable calcifié- Contre-courant insuffisant- Le manomètre était cassé	<ul style="list-style-type: none">- Contre-courant- Inspectez le sable et changez-le si cela s'avère nécessaire- Contre-courant jusqu'à ce que l'effluent soit propre- Remplacez le manomètre
La vanne de commande fuit au niveau de l'orifice D	<ul style="list-style-type: none">- La vanne de commande a été réglée entre deux fonctions- Le joint était cassé	<ul style="list-style-type: none">- Réglez sur une fonction- Remplacez le joint
Fuites au niveau des raccords	<ul style="list-style-type: none">- La rondelle des raccords n'est pas à sa place- La rondelle des raccords est cassée- Tuyaux desserrés	<ul style="list-style-type: none">- Repositionnez la rondelle- Remplacez la rondelle- Serrez-les

Garantie limitée du fabricant BESTWAY®

Le produit que vous avez acheté est accompagné d'une garantie limitée. Bestway® défend sa garantie de qualité et assure, grâce à une garantie de remplacement, que votre produit ne présentera pas de vices de fabrication pouvant porter à des fuites.

Les dispositions suivantes sont uniquement valables au sein des pays-membres de l'Union Européenne. La réglementation juridique de la directive 1999/44/CE ne sera pas mise en application par cette garantie limitée BESTWAY.

La garantie limitée est valable : 1 an de garantie pour le filtre à sable à compter de la date d'achat.

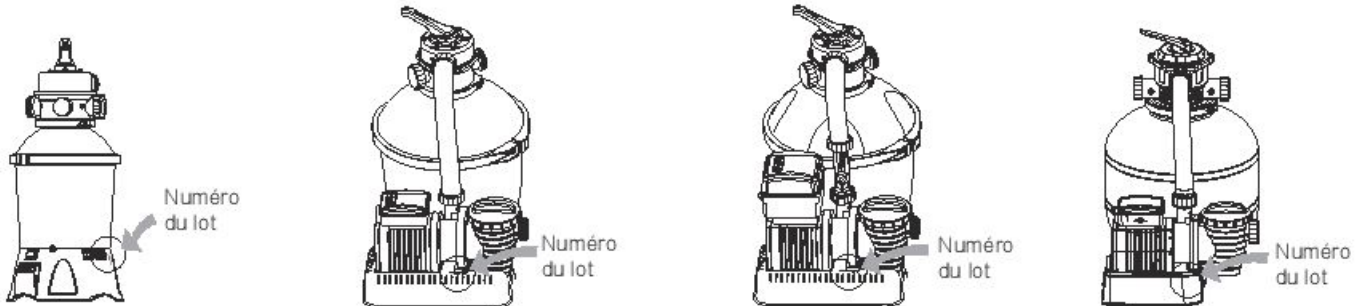
Pour rédiger une réclamation dans le cadre de la garantie, il faut remplir ce formulaire qui doit être envoyé au service après-vente Bestway® le plus proche, accompagné d'une copie de votre attestation d'achat. Veuillez contacter le service après-vente Bestway le plus proche avant d'envoyer tout document ; le personnel vous fournira toutes les instructions sur les documents nécessaires pour présenter la réclamation. Bestway® ne remplacera aucun produit jugé comme ayant été négligé ou comme ayant été utilisé sans respecter les consignes de la notice d'utilisation.

La garantie Bestway couvre tous les défauts de fabrication découverts au moment du déballage du produit ou durant son utilisation comme cela est recommandé dans la notice d'utilisation, cette garantie ne s'applique qu'aux produits qui n'ont pas été modifiés par une tierce partie. Le produit doit être stocké et manipulé dans le respect des recommandations techniques.

La garantie ne couvre pas les dégâts provoqués par l'usage inapproprié, l'altération, la négligence, y compris, sans que cette liste soit exhaustive, un choc, un incendie, l'utilisation d'une tension incorrecte, l'exposition à une chaleur excessive, une installation inappropriée, un câblage ou un test inappropriés, un stockage inapproprié.

Les remplacements et les réparations ne prolongent pas la durée de la garantie. La garantie limitée est valable à partir de la période indiquée ci-dessus et la date considérée comme étant la date de début de la garantie ne peut être que celle indiquée sur le reçu/la facture d'achat d'origine.

Veuillez copier le numéro du lot indiqué sur le corps du filtre à sable.



Numéro du lot: _____ Date de l'attestation d'achat: _____

À L'ATTENTION DE : SERVICE BESTWAY® DATE: _____ N° de code client: _____

FAX/E-MAIL/TÉL.: Veuillez vous référer à votre pays en ce qui concerne les informations que vous trouverez au dos de la couverture ou sur notre site web: www.bestway-service.com

Veuillez fournir votre adresse dans son intégralité. Remarque : les adresses incomplètes porteront à des retards d'expédition.

Bestway se réserve le droit de facturer le retour des colis non livrés quand la faute est imputable au destinataire.

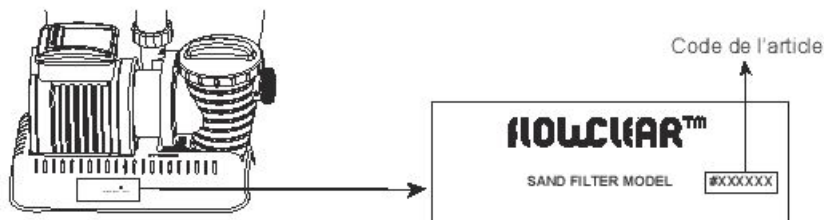
INFORMATIONS REQUISES – VEUILLEZ ÉCRIRE L'ADRESSE DE LIVRAISON

Nom: _____ Adresse: _____ Code postal: _____

Pays: _____ Ville: _____ Mobile: _____

Tél.: _____ Fax: _____ E-MAIL: _____

Distributeur: _____ Veuillez écrire clairement le code de votre article: _____



Dessins uniquement à titre d'illustration. Pas à l'échelle.

Description du problème

- Fuite d'eau
- Ne fonctionne plus
- L'article est incomplet, partie manquante – Veuillez indiquer le code que vous trouverez sur la notice d'instructions _____
- Autres, veuillez décrire _____

IMPORTANT: SEULE LA PIÈCE ENDOMMAGÉE SERA REMPLACÉE, PAS L'ENSEMBLE COMPLET.

Bestway se réserve le droit de demander des photographies attestant l'état défectueux des pièces ou de demander l'envoi de l'article pour des tests supplémentaires. Pour mieux vous aider, nous demandons à ce que toutes les informations que vous fournissez soient complètes.

POUR LES FAQ, MANUELS, VIDÉOS OU PIÈCES DÉTACHÉES, VEUILLEZ VISITER NOTRE SITE WEB WWW.BESTWAY-SERVICE.COM.

LES VIDÉOS SONT ÉGALEMENT DISPONIBLES SUR NOTRE CHAÎNE BESTWAY SUR YOUTUBE

<http://youtube.com/user/BestwayService>.

Bestway

Bestway.

#58366

Hmax 1.5m Hmin 0.19m IPX5

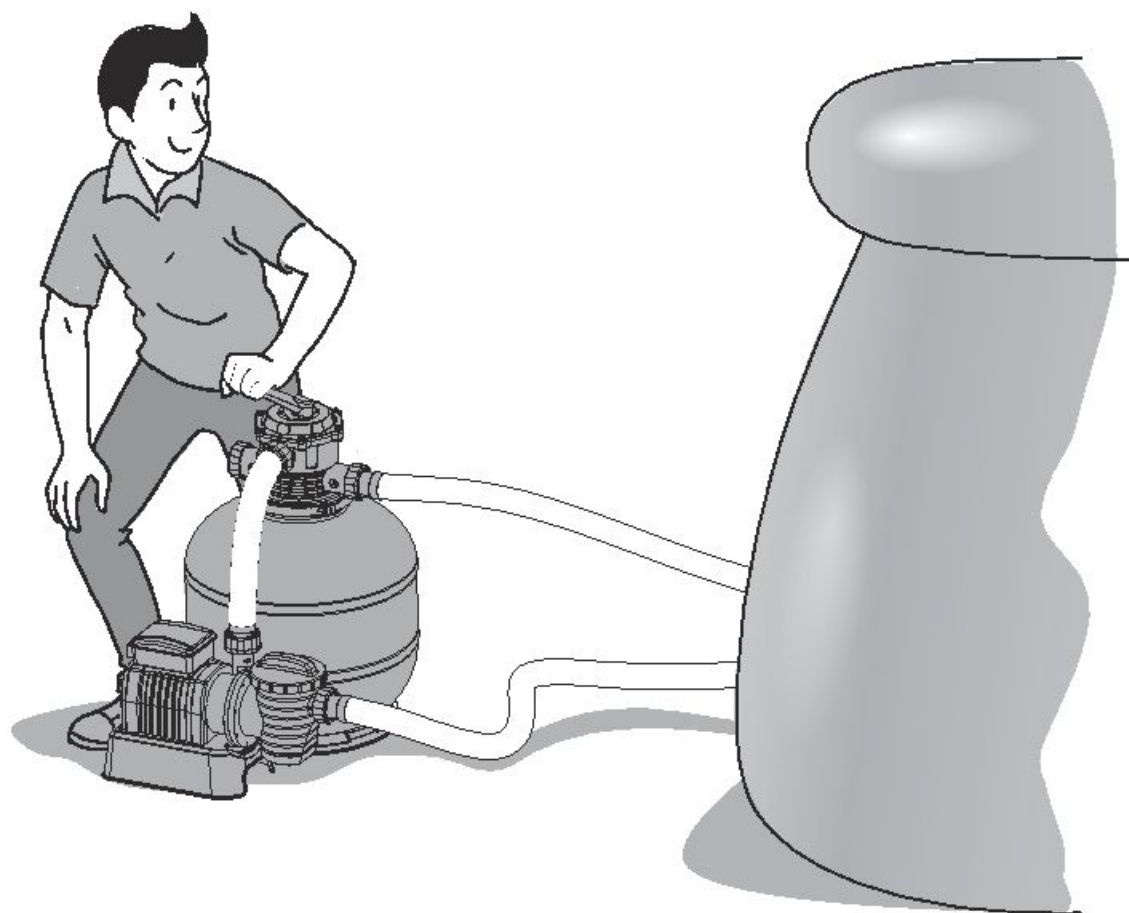
ΜΗΝ ΕΠΙΣΤΡΕΦΕΤΕ



ΣΤΟ ΚΑΤΑΣΤΗΜΑ

**ΕΡΩΤΗΣΕΙΣ; ΠΡΟΒΛΗΜΑΤΑ;
ΕΞΑΡΤΗΜΑΤΑ ΠΟΥ ΛΕΙΠΟΥΝ;**

ΓΙΑ ΣΥΧΝΕΣ ΕΡΩΤΗΣΕΙΣ, ΕΓΧΕΙΡΙΔΙΑ, ΒΙΝΤΕΟ
Η ΑΝΤΑΛΛΑΚΤΙΚΑ, ΠΑΡΑΚΑΛΟΥΜΕ ΕΠΙΣΚΕΦΤΕ ΤΗΝ
www.bestway-service.com



ΦΙΛΤΡΟ ΑΜΜΟΥ

FLOWCLEAR™

ΕΓΧΕΙΡΙΔΙΟ ΙΔΙΟΚΤΗΤΗ

www.bestway-global.com

www.bestway-service.com



ΠΡΟΕΙΔΟΠΟΙΗΣΗ**ΣΗΜΑΝΤΙΚΕΣ ΟΔΗΓΙΕΣ ΑΣΦΑΛΕΙΑΣ ΔΙΑΒΑΣΤΕ ΚΑΙ ΤΗΡΗΣΤΕ ΟΛΕΣ ΤΙΣ ΟΔΗΓΙΕΣ ΑΣΦΑΛΕΙΑΣ.**

- ΚΑΤΑ ΤΗΝ ΕΓΚΑΤΑΣΤΑΣΗ ΚΑΙ ΧΡΗΣΗ ΑΥΤΟΥ ΤΟΥ ΗΛΕΚΤΡΙΚΟΥ ΕΞΟΠΛΙΣΜΟΥ ΘΑ ΠΡΕΠΕΙ ΠΑΝΤΑ ΝΑ ΤΗΡΟΥΝΤΑΙ ΒΑΣΙΚΕΣ ΠΡΟΦΥΛΑΞΕΙΣ, ΣΥΜΠΕΡΙΛΑΜΒΑΝΟΜΕΝΩΝ ΤΩΝ ΑΚΟΛΟΥΘΩΝ:
- Η ΑΝΤΛΙΑ ΠΡΕΠΕΙ ΝΑ ΤΡΟΦΟΔΟΤΕΙΤΑΙ ΑΠΟ ΕΝΑ ΜΕΤΑΣΧΗΜΑΤΙΣΤΗ ΑΠΟΜΟΝΩΣΗΣ Η ΝΑ ΤΡΟΦΟΔΟΤΕΙΤΑΙ ΜΕΣΩ ΕΝΟΣ ΑΥΤΟΜΑΤΟΥ ΔΙΑΚΟΠΤΗ ΔΙΑΡΡΟΗΣ (RCD) ΜΕ ΟΝΟΜΑΣΤΙΚΟ ΡΕΥΜΑ ΔΙΑΡΡΟΗΣ ΠΟΥ ΔΕΝ ΥΠΕΡΒΑΙΝΕΙ ΤΑ 30 ma.
 - Η ΠΗΓΗ ΤΡΟΦΟΔΟΣΙΑΣ ΣΤΟΝ ΤΟΙΧΟ ΤΟΥ ΚΤΗΡΙΟΥ ΘΑ ΠΡΕΠΕΙ ΝΑ ΔΙΑΤΗΡΕΙΤΑΙ ΣΕ ΑΠΟΣΤΑΣΗ ΜΕΓΑΛΥΤΕΡΗ ΤΩΝ 4 μ. ΑΠΟ ΤΗΝ ΠΙΣΙΝΑ ΚΑΙ ΣΕ ΕΝΑ ΎΨΟΣ ΤΟ ΥΛΑΧΙΣΤΟΝ 1,2 μ.
 - Η ΣΥΣΚΕΥΗ ΠΡΕΠΕΙ ΝΑ ΤΡΟΦΟΔΟΤΕΙΤΑΙ ΑΠΟ ΜΙΑ ΓΕΙΩΜΕΝΗ ΠΗΓΗ ΤΡΟΦΟΔΟΣΙΑΣ
 - **ΠΡΟΣΟΧΗ – ΚΙΝΔΥΝΟΣ ΗΛΕΚΤΡΟΠΛΗΞΙΑΣ** - Η ΑΝΤΛΙΑ ΔΕΝ ΜΠΟΡΕΙ ΝΑ ΧΡΗΣΙΜΟΠΟΙΗΘΕΙ, ΕΝΩ ΥΠΑΡΧΟΥΝ ΑΝΘΡΩΠΟΙ ΜΕΣΑ ΣΤΗΝ ΠΙΣΙΝΑ. ΜΗΝ ΕΠΙΤΡΕΠΕΤΕ ΠΡΟΣΒΑΣΗ ΣΤΗΝ ΠΙΣΙΝΑ ΣΕ ΠΕΡΙΠΤΩΣΗ ΒΛΑΒΗΣ ΤΟΥ ΦΙΛΤΡΟΥ ΑΜΜΟΥ.
 - **ΜΗΝ ΚΡΥΒΕΤΕ ΤΟ ΚΑΛΩΔΙΟ.** ΤΟΠΟΘΕΤΗΣΤΕ ΤΟ ΚΑΛΩΔΙΟ ΕΤΣΙ ΠΟΥ ΝΑ ΕΛΑΧΙΣΤΟΠΟΙΕΤΑΙ ΤΥΧΟΝ ΒΛΑΒΗ ΑΠΟ ΜΗΧΑΝΗ ΚΟΥΡΕΜΑΤΟΣ ΓΚΑΖΟΝ, ΠΕΡΙΚΟΠΗ ΦΡΑΧΤΗ ΚΑΙ ΑΛΛΟ ΕΞΟΠΛΙΣΜΟ.
 - ΓΙΑ ΤΗΝ ΜΕΙΩΣΗ ΤΟΥ ΚΙΝΔΥΝΟΥ ΗΛΕΚΤΡΟΠΛΗΞΙΑΣ, ΑΝΤΙΚΑΤΑΣΤΗΣΤΕ ΑΜΕΣΩΣ ΤΟ ΚΑΛΩΔΙΟ ΑΝ ΥΠΟΣΤΕΙ ΖΗΜΙΑ.
 - ΕΑΝ ΕΧΕΙ ΒΛΑΒΗ ΤΟ ΚΑΛΩΔΙΟ ΡΕΥΜΑΤΟΔΟΤΗΣΗΣ, Ο ΚΑΤΑΣΚΕΥΑΣΤΗΣ Η Ο ΑΝΤΙΠΡΟΣΩΠΟΣ Η ΕΝΑ ΟΜΟΙΩΣ ΕΜΠΕΙΡΟ ΑΤΟΜΟ ΘΑ ΠΡΕΠΕΙ ΝΑ ΑΝΤΙΚΑΤΑΣΤΗΣΕΙ ΤΟ ΚΑΛΩΔΙΟ ΓΙΑ ΤΗΝ ΑΠΟΦΥΓΗ ΚΙΝΔΥΝΩΝ.
 - ΔΕΝ ΕΠΙΤΡΕΠΕΤΑΙ Η ΧΡΗΣΗ ΚΑΛΩΔΙΩΝ ΕΠΕΚΤΑΣΗΣ.
 - ΚΙΝΔΥΝΟΣ ΗΛΕΚΤΡΟΠΛΗΞΙΑΣ Η ΧΡΗΣΗ ΤΟΥ ΦΙΛΤΡΟΥ ΑΜΜΟΥ ΜΕ ΜΗ ΑΝΤΙΣΤΟΙΧΗ ΤΡΟΦΟΔΟΣΙΑ ΡΕΥΜΑΤΟΣ ΕΙΝΑΙ ΕΠΙΚΙΝΔΥΝΗ ΚΑΙ ΘΑ ΠΡΟΚΑΛΕΣΕΙ ΜΟΝΙΜΗ ΒΛΑΒΗ ΣΤΟ ΦΙΛΤΡΟ ΑΜΜΟΥ.
 - ΜΗΝ ΑΦΑΙΡΕΤΕ ΤΗ ΓΕΙΩΣΗ Η ΤΡΟΠΟΠΟΙΕΙΤΕ ΤΟ ΒΥΣΜΑ ΚΑΤΑ ΟΠΟΙΟΝΔΗΠΟΤΕ ΤΡΟΠΟ. ΜΗΝ ΧΡΗΣΙΜΟΠΟΙΕΙΤΕ ΒΥΣΜΑΤΑ ΠΡΟΣΑΡΜΟΓΕΑ. ΣΥΜΒΟΥΛΕΥΤΕΤΕ ΕΝΑΝ ΕΜΠΕΙΡΟ ΗΛΕΚΤΡΟΛΟΓΟ ΓΙΑ ΟΠΟΙΟΔΗΠΟΤΕ ΕΡΩΤΗΣΗ ΣΧΕΤΙΚΑ ΜΕ ΤΗΝ ΕΓΚΥΡΟΤΗΤΑ ΤΩΝ ΒΥΣΜΑΤΩΝ Ω ΤΗΣ ΓΕΙΩΣΗΣ ΣΑΣ.
 - ΧΕΙΡΙΣΤΕΤΕ ΤΟ ΦΙΛΤΡΟ ΑΜΜΟΥ ΜΕ ΠΡΟΣΟΧΗ. ΜΗΝ ΤΡΑΒΑΤΕ Η ΜΕΤΑΦΕΡΕΤΕ ΤΟ ΦΙΛΤΡΟ ΑΜΜΟΥ ΑΠΟ ΤΟ ΚΑΛΩΔΙΟ ΤΟΥ ΡΕΥΜΑΤΟΣ ΜΗΝ ΤΡΑΒΑΤΕ ΠΟΤΕ ΕΝΑ ΒΥΣΜΑ ΑΠΟ ΤΗΝ ΠΡΙΖΑ ΚΡΑΤΩΝΤΑΣ ΤΟ ΚΑΛΩΔΙΟ ΤΟΥ ΡΕΥΜΑΤΟΣ. ΑΠΟΦΥΓΕΤΕ ΤΙΣ ΑΜΥΧΕΣ ΣΤΟ ΚΑΛΩΔΙΟ. ΤΟ ΦΙΛΤΡΟ ΑΜΜΟΥ ΔΕΝ ΠΡΕΠΕΙ ΠΟΤΕ ΝΑ ΕΚΤΙΘΕΤΑΙ ΣΕ ΑΙΧΜΗΡΑ ΑΝΤΙΚΕΙΜΕΝΑ, ΛΑΔΙ, ΚΙΝΗΤΑ ΜΕΡΗ ΚΑΙ ΘΕΡΜΑΝΣΗ.
 - ΑΠΟΣΥΝΔΕΕΤΕ ΠΑΝΤΟΤΕ ΑΥΤΟ ΤΟ ΠΡΟΪΟΝ ΑΠΟ ΤΗΝ ΗΛΕΚΤΡΙΚΗ ΠΡΙΖΑ ΠΡΙΝ ΑΠΟ ΤΗΝ ΑΦΑΙΡΕΣΗ, ΤΟΝ ΚΑΘΑΡΙΣΜΟ, ΤΗ ΣΥΝΤΗΡΗΣΗ Η ΟΡΟΙΑΔΗΡΟΤΕ ΡΥΘΜΙΣΗ ΩΤΟΥ ΠΡΟΪΟΝΤΟΣ.
 - ΜΗ ΣΥΝΔΕΕΤΕ Ή ΑΠΟΣΥΝΔΕΑΤΕ ΤΗ ΣΥΣΚΕΥΗ ΜΕ ΒΡΕΓΜΕΝΑ ΧΕΡΙΑ
 - ΠΑΝΤΟΤΕ ΑΠΟΣΥΝΔΕΕΤΕ ΤΗ ΣΥΣΚΕΥΗ:
 - ΣΕ ΒΡΟΧΕΡΕΣ ΗΜΕΡΕΣ
 - ΠΡΙΝ ΤΟΝ ΚΑΘΑΡΙΣΜΟ Ή ΑΠΟ ΆΛΛΗ ΣΥΝΤΗΡΗΣΗ
 - ΕΑΝ ΤΗΝ ΑΦΗΣΤΕ ΧΩΡΙΣ ΕΠΙΒΛΕΨΗ ΚΑΤΑ ΤΗ ΔΙΑΡΚΕΙΑ ΤΩΝ ΔΙΑΚΟΠΩΝ
 - ΟΤΑΝ Η ΣΥΣΚΕΥΗ ΔΕΝ ΠΡΟΚΕΙΤΑΙ ΝΑ ΧΡΗΣΙΜΟΠΟΙΗΘΕΙ ΓΙΑ ΜΕΓΑΛΟ ΧΡΟΝΙΚΟ ΔΙΑΣΤΗΜΑ, ΟΠΩΣ ΤΟΝ ΧΕΙΜΩΝΑ, ΤΟ ΣΕΤ ΠΙΣΙΝΑΣ ΘΑ ΠΡΕΠΕΙ ΝΑ ΑΠΟΣΥΝΑΡΜΟΛΟΓΗΘΕΙ ΚΑΙ ΝΑ ΑΠΟΘΗΚΕΥΤΕΙ ΣΕ ΕΣΩΤΕΡΙΚΟ ΧΩΡΟ.
 - **ΠΡΟΣΟΧΗ:** ΔΙΑΒΑΣΤΕ ΤΙΣ ΟΔΗΓΙΕΣ ΠΡΙΝ ΧΡΗΣΙΜΟΠΟΙΗΣΕΤΕ ΤΗ ΣΥΣΚΕΥΗ ΚΑΙ ΚΑΘΕ ΦΟΡΑ ΠΡΙΝ ΤΗΝ ΕΓΚΑΤΑΣΤΑΣΗ / ΕΠΑΝΑΣΥΝΑΡΜΟΛΟΓΗΣΗ.
 - ΑΣΦΑΛΗΣ ΦΥΛΑΞΗ ΤΩΝ ΟΔΗΓΙΩΝ. ΓΙΑ ΤΗΝ ΑΝΑΚΑΤΑΣΚΕΥΗ ΤΟΥ ΣΕΤ ΤΗΣ ΠΙΣΙΝΑΣ ΚΑΘΕ ΦΟΡΑ, ΠΑΡΑΚΑΛΟΥΜΕ ΝΑ ΑΝΑΤΡΕΧΕΤΕ ΠΑΝΤΟΤΕ ΣΤΙΣ ΟΔΗΓΙΕΣ.
 - ΕΑΝ ΧΑΣΕΤΕ ΤΙΣ ΟΔΗΓΙΕΣ, ΠΑΡΑΚΑΛΟΥΜΕ ΕΠΙΚΟΙΝΩΝΗΣΤΕ ΜΕ ΤΗΝ BESTWAY Ή ΑΝΑΖΗΤΗΣΤΕ ΤΙΣ ΣΤΗΝ ΙΣΤΟΣΕΛΙΔΑ: WWW.BESTWAY-SERVICE.COM
 - ΟΙ ΗΛΕΚΤΡΙΚΕΣ ΕΓΚΑΤΑΣΤΑΣΕΙΣ ΘΑ ΠΡΕΠΕΙ ΝΑ ΑΚΟΛΟΥΘΟΥΝ ΤΟΥΣ ΚΑΝΟΝΙΣΜΟΥΣ ΚΑΛΩΔΙΩΣΗΣ. ΣΥΜΒΟΥΛΕΥΤΕΤΕ ΕΝΑΝ ΕΜΠΕΙΡΟ ΗΛΕΚΤΡΟΛΟΓΟ ΓΙΑ ΟΠΟΙΕΣΔΗΠΟΤΕ ΕΡΩΤΗΣΕΙΣ.

- ΠΡΟΣΟΧΗ:** ΑΥΤΟ ΤΟ ΦΙΛΤΡΟ ΑΜΜΟΥ ΠΡΕΠΕΙ ΝΑ ΧΡΗΣΙΜΟΠΟΙΕΙΤΑΙ ΜΟΝΟ ΜΕ ΑΠΟΘΗΚΕΥΣΙΜΕΣ ΠΙΣΙΝΕΣ. ΜΗΝ ΧΡΗΣΙΜΟΠΟΙΕΙΤΕ ΜΕ ΜΟΝΙΜΑ ΕΓΚΑΤΕΣΤΗΜΕΝΕΣ ΠΙΣΙΝΕΣ. ΜΙΑ ΑΠΟΘΗΚΕΥΣΙΜΗ ΠΙΣΙΝΑ ΕΙΝΑΙ ΚΑΤΑΣΚΕΥΑΣΜΕΝΗ ΕΤΣΙ ΠΟΥ ΝΑ ΜΠΟΡΕΙ ΕΥΚΟΛΑ ΝΑ ΑΠΟΣΥΝΑΡΜΟΛΟΓΗΘΕΙ ΓΙΑ ΑΠΟΘΗΚΕΥΣΗ ΚΑΙ ΝΑ ΕΠΑΝΑΣΥΝΑΡΜΟΛΟΓΗΘΕΙ ΣΤΗΝ ΑΡΧΙΚΗ ΤΗΣ ΚΑΤΑΣΤΑΣΗ. ΜΙΑ ΜΟΝΙΜΑ ΕΓΚΑΤΕΣΤΗΜΕΝΗ ΠΙΣΙΝΑ ΕΙΝΑΙ ΚΑΤΑΣΚΕΥΑΣΜΕΝΗ ΜΕΣΑ Η ΠΑΝΩ ΣΤΟ ΕΔΑΦΟΣ Ω ΣΕ ΕΝΑ ΚΤΙΡΙΟ ΕΤΣΙ ΠΟΥ ΝΑ ΜΗΝ ΜΠΟΡΕΙ ΕΥΚΟΛΑ ΝΑ ΑΠΟΣΥΝΑΡΜΟΛΟΓΗΘΕΙ ΓΙΑ ΦΥΛΑΞΗ.
- Η ΣΥΣΚΕΥΗ ΑΥΤΗ ΜΠΟΡΕΙ ΝΑ ΧΡΗΣΙΜΟΠΟΙΗΘΕΙ ΑΠΟ ΠΑΙΔΙΑ ΗΛΙΚΙΑΣ 8 ΕΤΩΝ ΚΑΙ ΑΝΩ ΚΑΙ ΑΠΟ ΑΤΟΜΑ ΜΕ ΜΕΙΩΜΕΝΕΣ ΣΩΜΑΤΙΚΕΣ, ΑΙΣΘΗΤΙΚΕΣ Η ΝΟΗΤΙΚΕΣ ΙΚΑΝΟΤΗΤΕΣ Η ΕΛΛΕΙΨΗ ΕΜΠΕΙΡΙΑΣ ΚΑΙ ΓΝΩΣΗΣ ΕΑΝ ΤΟΥΣ ΕΧΕΙ ΠΑΡΑΣΧΕΘΕΙ ΕΠΙΤΗΡΗΣΗ Η ΚΑΘΟΔΗΓΗΣΗ ΣΧΕΤΙΚΑ ΜΕ ΤΗ ΧΡΗΣΗ ΤΗΣ ΣΥΣΚΕΥΗΣ ΜΕ ΑΣΦΑΛΗ ΤΡΟΠΟ ΩΣΤΕ ΝΑ ΚΑΤΑΝΟΟΥΝ ΤΟΥΣ ΚΙΝΔΥΝΟΥΣ ΠΟΥ ΥΠΑΡΧΟΥΝ. ΤΑ ΠΑΙΔΙΑ ΔΕΝ ΠΡΕΠΕΙ ΝΑ ΠΑΙΖΟΥΝ ΜΕ ΤΗ ΣΥΣΚΕΥΗ. Ο ΚΑΘΑΡΙΣΜΟΣ ΚΑΙ Η ΣΥΝΤΗΡΗΣΗ ΔΕΝ ΠΡΕΠΕΙ ΝΑ ΠΡΑΓΜΑΤΟΠΟΙΕΙΤΑΙ ΑΠΟ ΠΑΙΔΙΑ ΧΩΡΙΣ ΕΠΙΤΗΡΗΣΗ. (ΓΙΑ ΤΗΝ ΑΓΟΡΑ ΤΗΣ ΕΕ)
 - Η ΣΥΣΚΕΥΗ ΑΥΤΗ ΔΕΝ ΠΡΟΟΡΙΖΕΤΑΙ ΓΙΑ ΧΡΗΣΗ ΑΠΟ ΑΤΟΜΑ (ΣΥΜΠΕΡΙΛΑΜΒΑΝΟΜΕΝΩΝ ΚΑΙ ΠΑΙΔΙΩΝ) ΜΕ ΜΕΙΩΜΕΝΕΣ ΣΩΜΑΤΙΚΕΣ, ΑΙΣΘΗΤΙΚΕΣ Η ΝΟΗΤΙΚΕΣ ΙΚΑΝΟΤΗΤΕΣ Η ΕΛΛΕΙΨΗ ΕΜΠΕΙΡΙΑΣ ΚΑΙ ΓΝΩΣΗΣ ΕΑΝ ΤΟΥΣ ΕΧΕΙ ΠΑΡΑΣΧΕΘΕΙ ΕΠΙΤΗΡΗΣΗ Η ΚΑΘΟΔΗΓΗΣΗ ΣΧΕΤΙΚΑ ΜΕ ΤΗ ΧΡΗΣΗ ΤΗΣ ΣΥΣΚΕΥΗΣ ΑΠΟ ΑΤΟΜΟ ΥΠΕΥΘΥΝΟ ΓΙΑ ΤΗΝ ΑΣΦΑΛΕΙΑ ΤΟΥΣ. ΤΑ ΠΑΙΔΙΑ ΘΑ ΠΡΕΠΕΙ ΝΑ ΕΠΙΤΗΡΟΥΝΤΑΙ ΩΣΤΕ ΝΑ ΕΞΑΣΦΑΛΙΣΤΕΙ ΟΤΙ ΔΕΝ ΠΑΙΖΟΥΝ ΜΕ ΑΥΤΗ ΤΗ ΣΥΣΚΕΥΗ. (ΓΙΑ ΤΗΝ ΑΓΟΡΑ ΕΚΤΟΣ ΤΗΣ ΕΕ)
 - Ο ΚΑΘΑΡΙΣΜΟΣ ΚΑΙ Η ΣΥΝΤΗΡΗΣΗ ΠΡΕΠΕΙ ΝΑ ΓΙΝΕΤΑΙ ΑΠΟ ΕΝΑΝ ΕΝΗΛΙΚΑ ΗΛΙΚΙΑΣ ΑΝΩ ΤΩΝ 18 ΕΤΩΝ, Ο

ΟΠΟΙΟΣ ΓΝΩΡΙΖΕΙ ΤΟΝ ΚΙΝΔΥΝΟ ΤΗΣ ΗΛΕΚΤΡΟΠΛΗΞΙΑΣ

ΣΗΜΕΙΩΣΗ:

- ΤΟΠΟΘΕΤΗΣΤΕ ΤΟ ΦΙΛΤΡΟ ΑΜΜΟΥ ΣΕ ΣΤΕΡΕΟ, ΕΠΙΠΕΔΟ ΕΔΑΦΟΣ. ΔΙΑΣΦΑΛΙΣΤΕ ΟΤΙ ΤΟ ΦΙΛΤΡΟ ΑΜΜΟΥ ΒΡΙΣΚΕΤΑΙ ΣΕ ΤΟΥΛΑΧΙΣΤΟΝ 2 ΜΕΤΡΟ ΑΠΟΣΤΑΣΗ ΑΠΟ ΤΗΝ ΑΚΡΗ ΤΗΣ ΠΙΣΙΝΑΣ. ΔΙΑΤΗΡΗΣΤΕ ΟΣΟ ΜΕΓΑΛΥΤΕΡΗ ΑΠΟΣΤΑΣΗ ΓΙΝΕΤΑΙ.
- ΦΡΟΝΤΙΣΤΕ ΝΑ ΤΟΠΟΘΕΤΗΣΤΕ ΤΗΝ ΠΙΣΙΝΑ ΚΑΙ ΤΟ ΦΙΛΤΡΟ ΑΜΜΟΥ ΕΤΣΙ ΠΟΥ ΝΑ ΥΠΑΡΧΕΙ ΔΙΑΘΕΣΙΜΟΣ ΑΕΡΙΣΜΟΣ, ΠΑΡΟΧΕΤΕΥΣΗ ΚΑΙ ΠΡΟΣΒΑΣΗ ΓΙΑ ΣΥΝΤΗΡΗΣΗ. ΜΗΝ ΕΓΚΑΤΑΣΤΗΣΤΕ ΠΟΤΕ ΤΟ ΦΙΛΤΡΟ ΑΜΜΟΥ ΣΕ ΜΙΑ ΠΕΡΙΟΧΗ ΟΠΟΥ ΕΝΔΕΧΕΤΑΙ ΝΑ ΥΠΑΡΞΕΙ ΣΥΣΣΩΡΕΥΣΗ ΝΕΡΟΥ Η ΣΕ ΕΝΑ ΠΟΛΥΣΥΧΝΑΣΤΟ ΧΩΡΟ ΔΙΑΒΑΣΗΣ.
- ΕΙΝΑΙ ΑΠΑΡΑΙΤΗΤΟ ΝΑ ΥΠΑΡΧΕΙ ΠΡΟΣΒΑΣΗ ΣΤΟ ΒΥΣΜΑ ΜΕΤΑ ΤΗΝ ΕΓΚΑΤΑΣΤΑΣΗ ΤΗΣ ΠΙΣΙΝΑΣ. ΤΟ ΒΥΣΜΑ ΤΟΥ ΦΙΛΤΡΟΥ ΑΜΜΟΥ ΠΡΕΠΕΙ ΝΑ ΒΡΙΣΚΕΤΑΙ ΣΕ ΤΟΥΛΑΧΙΣΤΟΝ 3,5μ. ΜΕΤΡΑ ΑΠΟΣΤΑΣΗ ΑΠΟ ΤΗΝ ΠΙΣΙΝΑ.
- ΟΙ ΑΤΜΟΣΦΑΙΡΙΚΕΣ ΣΥΝΘΗΚΕΣ ΕΝΔΕΧΕΤΑΙ ΝΑ ΕΠΗΡΕΑΣΟΥΝ ΤΗΝ ΑΠΟΔΟΣΗ ΚΑΙ ΤΗ ΔΙΑΡΚΕΙΑ ΖΩΗΣ ΤΟΥ ΦΙΛΤΡΟΥ ΑΜΜΟΥ. ΛΑΒΕΤΕ ΚΑΤΑΛΛΗΛΕΣ ΠΡΟΦΥΛΑΞΕΙΣ ΓΙΑ ΝΑ ΠΡΟΣΤΑΤΕΥΣΕΤΕ ΤΟ ΦΙΛΤΡΟ ΑΜΜΟΥ ΑΠΟ ΦΘΟΡΑ ΠΟΥ ΜΠΟΡΕΙ ΝΑ ΣΥΜΒΕΙ ΣΕ ΠΕΡΙΟΔΟΥΣ ΨΥΧΡΟΥ Η ΖΕΣΤΟΥ ΚΑΙΡΟΥ ΩΚΑΙ ΕΚΘΕΣΗ ΣΤΟΝ ΗΛΙΟ.
- ΠΑΡΑΚΑΛΟΥΜΕ ΕΞΕΤΑΣΤΕ ΚΑΙ ΕΠΑΛΗΘΕΥΣΤΕ ΟΤΙ ΥΠΑΡΧΟΥΝ ΟΛΑ ΤΑ ΜΕΡΗ ΤΟΥ ΦΙΛΤΡΟΥ ΑΜΜΟΥ ΠΡΙΝ ΤΗ ΧΡΗΣΗ. ΕΙΔΟΠΟΙΗΣΤΕ ΤΗΝ Bestway ΣΤΗΝ ΔΙΕΥΘΥΝΣΗ ΥΠΗΡΕΣΙΑΣ ΠΕΛΑΤΩΝ ΠΟΥ ΑΝΑΓΡΑΦΕΤΑΙ ΣΕ ΑΥΤΟ ΤΟ ΕΓΧΕΙΡΙΔΙΟ ΓΙΑ ΤΥΧΟΝ ΜΕΡΗ ΠΟΥ ΕΧΟΥΝ ΥΠΟΣΤΕΙ ΖΗΜΙΑ Η ΠΟΥ ΛΕΙΠΟΥΝ ΚΑΤΑ ΤΗΝ ΣΤΙΓΜΗ ΤΗΣ ΑΓΟΡΑΣ.
- ΕΙΝΑΙ ΕΠΙΠΑΚΤΙΚΗ ΑΝΑΓΚΗ ΝΑ ΑΛΛΑΞΕΤΕ ΟΣΟ ΤΟ ΔΥΝΑΤΟ ΣΥΝΤΟΜΟΤΕΡΑ ΟΛΑ ΤΑ ΤΜΗΜΑΤΑ ΠΟΥ ΕΧΟΥΝ ΠΑΘΕΙ ΒΛΑΒΗ. ΝΑ ΧΡΗΣΙΜΟΠΟΙΕΙΤΕ ΜΟΝΟ ΕΞΑΡΤΗΜΑΤΑ ΤΑ ΟΠΟΙΑ ΕΙΝΑΙ ΕΓΚΕΚΡΙΜΕΝΑ ΑΠΟ ΤΟΝ ΚΑΤΑΣΚΕΥΑΣΤΗ.
- ΜΗΝ ΕΠΙΤΡΕΠΕΤΕ ΣΕ ΠΑΙΔΙΑ Η ΕΝΗΛΙΚΕΣ ΝΑ ΣΤΗΡΙΖΟΝΤΑΙ Η ΝΑ ΚΑΘΟΝΤΑΙ ΣΤΗ ΣΥΣΚΕΥΗ.
- ΜΗΝ ΠΡΟΣΘΕΤΕΤΕ ΧΗΜΙΚΑ ΣΤΟ ΦΙΛΤΡΟ ΑΜΜΟΥ.
- ΟΤΑΝ ΓΙΑ ΤΟΝ ΚΑΘΑΡΙΣΜΟ ΤΟΥ ΝΕΡΟΥ ΤΗΣ ΠΙΣΙΝΑΣ ΧΡΗΣΙΜΟΠΟΙΟΥΝΤΑΙ ΧΗΜΙΚΑ, ΣΥΝΙΣΤΑΤΑΙ ΝΑ ΤΗΡΕΙΤΕ ΤΟΝ ΕΛΑΧΙΣΤΟ ΧΡΟΝΟ ΦΙΛΤΡΑΡΙΣΜΑΤΟΣ ΓΙΑ ΝΑ ΠΡΟΣΤΑΤΕΥΣΕΤΕ ΤΗΝ ΥΓΕΙΑ ΤΩΝ ΚΟΛΥΜΒΗΤΩΝ Η ΟΠΟΙΑ ΕΞΑΡΤΑΤΑΙ ΑΠΟ ΤΗΝ ΤΗΡΗΣΗ ΤΩΝ ΥΓΕΙΟΝΟΜΙΚΩΝ ΚΑΝΟΝΙΣΜΩΝ.
- ΜΟΝΟ ΤΑ ΜΕΣΑ ΠΟΥ ΠΑΡΕΧΟΝΤΑΙ Η ΠΟΥ ΚΑΘΟΡΙΖΟΝΤΑΙ ΑΠΟ ΤΟΝ ΚΑΤΑΣΚΕΥΑΣΤΗ ΠΡΕΠΕΙ ΝΑ ΧΡΗΣΙΜΟΠΟΙΟΥΝΤΑΙ ΜΕ ΤΗΝ ΕΓΚΑΤΑΣΤΑΣΗ ΤΟΥ ΠΡΟΪΟΝΤΟΣ.
- ΕΙΝΑΙ ΑΠΑΡΑΙΤΗΤΟ ΝΑ ΕΛΕΓΞΕΤΕ ΟΤΙ ΤΑ ΑΝΟΙΓΜΑΤΑ ΑΝΑΡΡΟΦΗΣΗΣ ΔΕΝ ΠΑΡΕΜΠΟΔΙΖΟΝΤΑΙ.
- ΣΥΝΙΣΤΑΤΑΙ ΝΑ ΔΙΑΚΟΠΤΕΤΕ ΤΟ ΦΙΛΤΡΑΡΙΣΜΑ ΚΑΤΑ ΤΗ ΔΙΑΡΚΕΙΑ ΕΡΓΑΣΙΩΝ ΣΥΝΤΗΡΗΣΗΣ ΣΤΟ ΣΥΣΤΗΜΑ ΦΙΛΤΡΑΡΙΣΜΑΤΟΣ.
- ΕΠΙΘΕΩΡΕΙΤΕ ΤΑΚΤΙΚΑ ΤΗ ΣΤΑΘΜΗ ΑΠΟΦΡΑΞΗΣ ΤΟΥ ΦΙΛΤΡΟΥ.
- ΣΥΝΙΣΤΑΤΑΙ ΕΝΑΣ ΕΒΔΟΜΑΔΙΑΙΟΣ ΕΛΕΓΧΟΣ ΓΙΑ ΕΚΠΛΥΣΗ Η ΚΑΘΑΡΙΣΜΟ.
- ΣΥΝΙΣΤΑΤΑΙ ΕΛΑΧΙΣΤΟΣ ΗΜΕΡΗΣΙΟΣ ΧΡΟΝΟΣ ΛΕΙΤΟΥΡΓΙΑΣ ΦΙΛΤΡΑΡΙΣΜΑΤΟΣ 8 ΩΡΩΝ ΓΙΑ ΝΑ ΕΞΑΣΦΑΛΙΖΕΤΑΙ ΚΑΘΑΡΟ ΝΕΡΟ ΣΤΗΝ ΠΙΣΙΝΑ.
- ΕΙΝΑΙ ΑΠΑΡΑΙΤΗΤΟ ΝΑ ΑΛΛΑΞΕΤΕ ΟΠΟΙΟΔΗΠΟΤΕ ΚΑΤΕΣΤΡΑΜΜΕΝΟ ΣΤΟΙΧΕΙΟ Η ΣΥΝΟΛΟ ΣΤΟΙΧΕΙΩΝ ΤΟ ΣΥΝΤΟΜΟΤΕΡΟ ΔΥΝΑΤΟ. ΧΡΗΣΙΜΟΠΟΙΕΙΤΕ ΜΟΝΟ ΑΝΤΑΛΛΑΚΤΙΚΑ ΕΓΚΕΚΡΙΜΕΝΑ ΑΠΟ ΤΟΝ ΥΠΕΥΘΥΝΟ ΓΙΑ ΤΗ ΔΙΑΘΕΣΗ ΤΟΥ ΠΡΟΪΟΝΤΟΣ ΣΤΗΝ ΑΓΟΡΑ.
- ΟΛΑ ΤΑ ΦΙΛΤΡΑ ΚΑΙ ΜΕΣΑ ΦΙΛΤΡΑΡΙΣΜΑΤΟΣ ΠΡΕΠΕΙ ΝΑ ΕΠΙΘΕΩΡΟΥΝΤΑΙ ΤΑΚΤΙΚΑ ΓΙΑ ΝΑ ΕΞΑΣΦΑΛΙΖΕΤΑΙ ΟΤΙ ΔΕΝ ΥΠΑΡΧΕΙ ΣΥΣΣΩΡΕΥΣΗ ΥΠΟΛΕΙΜΜΑΤΩΝ ΕΜΠΟΔΙΖΟΝΤΑΣ ΕΤΣΙ ΤΟ ΚΑΛΟ ΦΙΛΤΡΑΡΙΣΜΑ. Η ΑΠΟΡΡΙΨΗ ΟΠΟΙΩΝΔΗΠΟΤΕ ΜΕΤΑΧΕΙΡΙΣΜΕΝΩΝ ΜΕΣΩΝ ΦΙΛΤΡΑΡΙΣΜΑΤΟΣ ΘΑ ΠΡΕΠΕΙ ΕΠΙΣΗΣ ΝΑ ΕΙΝΑΙ ΣΥΜΦΩΝΗ ΜΕ ΤΟΥΣ ΙΣΧΥΟΝΤΕΣ ΚΑΝΟΝΙΣΜΟΥΣ/ΝΟΜΟΘΕΣΙΑ.
- ΤΗΡΗΣΤΕ ΟΛΕΣ ΤΙΣ ΑΠΑΙΤΗΣΕΙΣ ΑΣΦΑΛΕΙΑΣ ΚΑΙ ΤΙΣ ΣΥΣΤΑΣΕΙΣ ΠΟΥ ΠΕΡΙΓΡΑΦΟΝΤΑΙ ΣΤΟ ΕΓΧΕΙΡΙΔΙΟ. ΣΕ ΠΕΡΙΠΤΩΣΗ ΑΜΦΙΒΟΛΙΑΣ ΣΧΕΤΙΚΑ ΜΕ ΤΗΝ ΑΝΤΛΙΑ Η ΟΠΟΙΕΣΔΗΠΟΤΕ ΑΛΛΕΣ ΣΥΣΚΕΥΕΣ ΚΥΚΛΟΦΟΡΙΑΣ, ΕΠΙΚΟΙΝΩΗΣΤΕ ΜΕ ΕΝΑΝ ΕΞΕΙΔΙΚΕΥΜΕΝΟ ΕΓΚΑΤΑΣΤΑΤΗ, Η ΜΕ ΤΟΝ ΚΑΤΑΣΚΕΥΑΣΤΗ / ΕΙΣΑΓΩΓΕΑ / ΑΝΤΙΠΡΟΣΩΠΟ. Η ΕΓΚΑΤΑΣΤΑΣΗ ΚΥΚΛΟΦΟΡΙΑΣ ΤΟΥ ΝΕΡΟΥ ΠΡΕΠΕΙ ΝΑ ΣΥΜΜΟΡΦΩΝΕΤΑΙ ΤΟΣΟ ΜΕ ΤΟΥΣ ΕΥΡΩΠΑΪΚΟΥΣ ΟΣΟ ΚΑΙ ΜΕ ΤΟΥΣ ΕΘΝΙΚΟΥΣ/ΤΟΠΙΚΟΥΣ ΚΑΝΟΝΙΣΜΟΥΣ, ΕΙΔΙΚΑ ΣΕ ΟΤΙ ΑΦΟΡΑ ΗΛΕΚΤΡΟΛΟΓΙΚΑ ΖΗΤΗΜΑΤΑ. ΟΠΟΙΟΔΗΠΟΤΕ ΑΛΛΑΓΗ ΣΤΗ ΘΕΣΗ ΤΗΣ ΒΑΛΒΙΔΑΣ, ΣΤΟ ΜΕΓΕΘΟΣ ΤΗΣ ΑΝΤΛΙΑΣ, ΣΤΟ ΜΕΓΕΘΟΣ ΤΗΣ ΣΧΑΡΑΣ ΜΠΟΡΕΙ ΝΑ ΠΡΟΚΑΛΕΣΕΙ ΜΙΑ ΑΛΛΑΓΗ ΤΗΣ ΠΑΡΟΧΗΣ ΚΑΙ Η ΤΑΧΥΤΗΤΑ ΑΝΑΡΡΟΦΗΣΗΣ ΜΠΟΡΕΙ ΝΑ ΑΥΞΗΘΕΙ.
- ΑΥΤΟ ΤΟ ΠΡΟΪΟΝ ΔΕΝ ΠΡΟΟΡΙΖΕΤΑΙ ΓΙΑ ΕΜΠΟΡΙΚΗ ΧΡΗΣΗ.

ΠΑΡΑΚΑΛΟΥΜΕ ΔΙΑΒΑΣΤΕ ΠΡΟΣΕΚΤΙΚΑ ΤΟ ΕΓΧΕΙΡΙΔΙΟ ΟΔΗΓΙΩΝ ΚΑΙ ΦΥΛΑΞΤΕ ΤΟ ΓΙΑ ΜΕΛΛΟΝΤΙΚΗ ΑΝΑΦΟΡΑ.

ΦΥΛΑΞΤΕ ΑΥΤΕΣ ΤΙΣ ΟΔΗΓΙΕΣ

ΑΠΟΡΡΙΨΗ



ΣΗΜΑΣΙΑ ΤΟΥ ΔΙΑΓΡΑΜΜΕΝΟΥ ΤΡΟΧΟΦΟΡΟΥ ΚΑΔΟΥ ΑΠΟΡΡΙΜΜΑΤΩΝ:

ΜΗΝ ΑΠΟΡΡΙΠΤΕΤΕ ΤΙΣ ΗΛΕΚΤΡΙΚΕΣ ΣΥΣΚΕΥΕΣ ΩΣ ΜΗ ΤΑΞΙΝΟΜΗΜΕΝΑ ΔΗΜΟΤΙΚΑ

ΑΠΟΡΡΙΜΜΑΤΑ. ΧΡΗΣΙΜΟΠΟΙΗΣΤΕ ΕΓΚΑΤΑΣΤΑΣΕΙΣ ΞΕΧΩΡΙΣΤΗΣ ΣΥΛΛΟΓΗΣ.

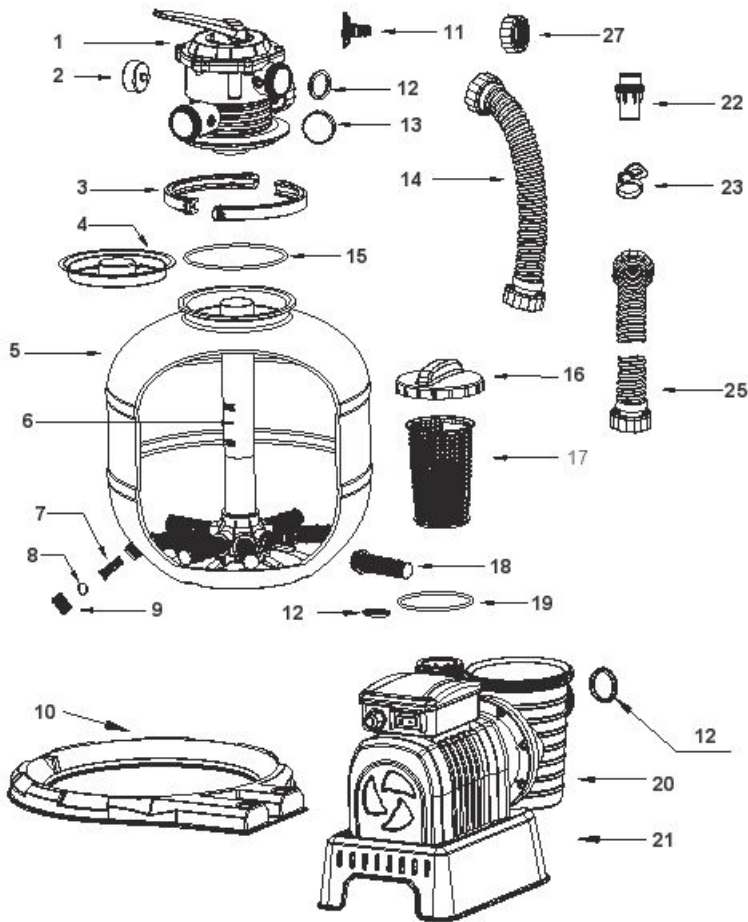
ΕΠΙΚΟΙΝΩΝΗΣΤΕ ΜΕ ΤΗΝ ΤΟΠΙΚΗ ΚΥΒΕΡΝΗΣΗ ΓΙΑ ΠΛΗΡΟΦΟΡΙΕΣ ΣΧΕΤΙΚΑ ΜΕ ΤΑ ΔΙΑΘΕΣΙΜΑ ΣΥΣΤΗΜΑΤΑ ΣΥΛΛΟΓΗΣ.

ΕΑΝ ΟΙ ΗΛΕΚΤΡΙΚΕΣ ΣΥΣΚΕΥΕΣ ΑΠΟΡΡΙΠΤΟΝΤΑΙ ΣΕ ΧΩΡΟΥΣ ΤΑΦΗΣ ΑΠΟΒΛΗΤΩΝ Ή ΧΩΜΑΤΕΡΕΣ, ΕΠΙΚΙΝΔΥΝΕΣ ΟΥΣΙΕΣ ΜΠΟΡΕΙ ΝΑ ΔΙΑΡΕΥΣΟΥΝ ΣΤΑ ΥΠΟΓΕΙΑ ΥΔΑΤΑ ΚΑΙ ΝΑ ΕΙΣΑΧΘΟΥΝ ΣΤΗ ΔΙΑΤΡΟΦΙΚΗ ΑΛΥΣΙΔΑ ΠΡΟΚΑΛΩΝΤΑΣ ΒΛΑΒΗ ΣΤΗΝ ΥΓΕΙΑ ΚΑΙ ΤΗΝ ΕΥΕΞΙΑ ΣΑΣ.

ΟΤΑΝ ΑΝΤΙΚΑΘΙΣΤΑΤΕ ΠΑΛΙΕΣ ΣΥΣΚΕΥΕΣ ΜΕ ΚΑΙΝΟΥΡΙΕΣ, Ο ΕΜΠΟΡΟΣ ΕΙΝΑΙ ΝΟΜΙΚΑ ΥΠΟΧΡΕΩΜΕΝΟΣ ΝΑ ΠΑΡΕΙ ΠΙΣΩ ΤΙΣ ΠΑΛΙΕΣ ΣΥΣΚΕΥΕΣ ΣΑΣ ΓΙΑ ΑΠΟΡΡΙΨΗ ΤΟΥΛΑΧΙΣΤΟΝ ΔΩΡΕΑΝ.

ΑΝΑΣΚΟΠΗΣΗ ΑΝΑΦΟΡΑΣ ΜΕΡΩΝ

ΠΡΙΝ ΤΗ ΣΥΝΑΡΜΟΛΟΓΗΣΗ ΤΟΥ ΦΙΛΤΡΟΥ ΑΜΜΟΥ, ΑΦΙΕΡΩΣΤΕ ΛΙΓΑ ΛΕΠΤΑ ΓΙΑ ΝΑ ΕΞΟΙΚΕΙΩΘΕΙΤΕ ΜΕ ΟΛΑ ΤΑ ΜΕΡΗ ΑΥΤΟΥ.

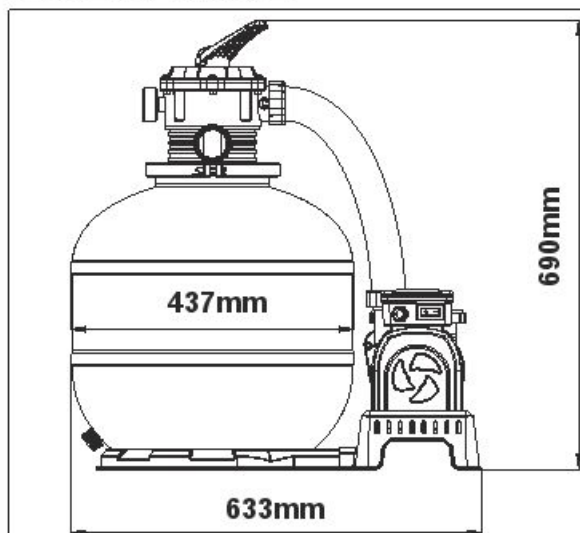


ΑΡ. ΑΝΑΦ.	ΠΕΡΙΓΡΑΦΗ	ΠΟΣΟΤ.	ΚΩΔ. ΕΙΔΟΥΣ ΑΝΤΑΜΑΚΤΙΚΟΥ
1	ΒΑΛΒΙΔΑ ΕΛΕΓΧΟΥ	1	P61204
2	ΜΑΝΟΜΕΤΡΟ	1	P61138
3	ΣΦΙΓΚΤΗΡΑΣ ΦΛΑΝΤΖΑΣ	2	P61205
4	ΚΑΛΥΜΜΑ ΠΛΗΜΝΗΣ	1	P61209
5	ΔΕΞΑΜΕΝΗ	1	P61213
6	ΠΛΗΜΝΗ	1	P61206
7	ΣΤΟΙΧΕΙΟ ΡΥΠΑΝΣΗΣ	1	P61211
8	ΡΟΔΕΛΑ ΑΠΟΣΤΡΑΓΓΙΣΗΣ	1	P6581
9	ΚΑΠΑΚΙ ΒΑΛΒΙΔΑΣ ΑΠΟΣΤΡΑΓΓΙΣΗΣ	1	P6580
10	ΒΑΣΗ ΔΕΞΑΜΕΝΗΣ	1	P61212
11	ΠΡΟΣΑΡΜΟΓΕΑΣ ΓΙΑ ΛΑΣΤΙΚΟ ΚΗΠΟΥ	1	P6614
12	ΡΟΔΕΛΑ	5	P6029
13	ΚΑΠΑΚΙ ΘΥΡΑΣ D	1	P6540
14	ΣΩΛΗΝΟΣΗ	1	P6560
15	ΣΤΕΓΑΝΩΤΙΚΟΣ ΔΑΚΤΥΛΙΟΣ O-RING	1	P61214
16	ΚΑΛΥΜΜΑ ΣΗΤΑΣ	1	P6561
17	ΣΗΤΑ	1	P6562
18	ΣΤΟΙΧΕΙΟ ΦΙΛΤΡΟΥ	8	P61210
19	ΔΑΚΤΥΛΙΟΣ ΣΤΕΓΑΝΟΠΟΙΗΣΗΣ	1	P6563
20	ΑΝΤΛΙΑ	1	P61207
21	ΑΝΤΛΙΑ (ΜΟΝΟ ΓΙΑ ΗΛΕΚΤΡΙΚΟ ΒΑΣΙΣΜΕΝΟ)	1	P61207GB
22	ΠΡΟΣΑΡΜΟΓΕΑΣ	2	P6916
23	ΣΦΙΓΚΤΗΡΕΣ ΠΑΕΥΚΑΜΠΤΟ ΣΩΛΗΝΑ	2	P6124
27	ΠΑΣΙΜΑΔΙ ΠΡΟΣΑΡΜΟΓΕΑ	1	P6615

ΠΡΟΑΙΡΕΤΙΚΑ ΕΞΑΡΤΗΜΑΤΑ

25	ΕΥΚΑΜΠΟΣ ΣΩΛΗΝΑΣ (Φ38mm 3M)	2	P6028
26	ΣΗΤΑ ΥΠΟΛΕΙΜΜΑΤΩΝ	1	P61322
	ΣΗΤΑ ΥΠΟΛΕΙΜΜΑΤΩΝ	1	P61318

ΠΡΟΔΙΑΓΡΑΦΕΣ



ΔΙΑΜΕΤΡΟΣ ΦΙΛΤΡΟΥ:	437mm
ΕΝΕΡΓΗ ΠΕΡΙΟΧΗ ΦΙΛΤΡΟΥ:	0.150m ² (1.61ft ²)
Max. ΠΙΕΣΗ ΛΕΙΤΟΥΡΓΙΑΣ:	1.58Bar (23PSI)
ΠΙΕΣΗ ΕΡΓΑΣΙΑΣ ΦΙΛΤΡΟΥ ΑΜΜΟΥ:	<0.56Bar (8PSI)
Max. ΘΕΡΜΟΚΡΑΣΙΑ ΝΕΡΟΥ:	35°C
ΑΜΜΟΣ:	ΔΕΝ ΣΥΜΠΕΡΙΛΑΜΒΑΝΕΤΑΙ.
ΜΕΓΕΘΟΣ ΑΜΜΟΥ:	ΠΥΡΙΤΙΚΗ ΑΜΜΟΣ AP .20, 0,45-0,85mm
ΧΩΡΗΤΙΚΟΤΗΤΑ ΑΜΜΟΥ:	ΠΕΡΙΠΟΥ 35 kg

ΑΝΑΣΚΟΠΗΣΗ ΒΑΛΒΙΔΑΣ ΕΛΕΓΧΟΥ

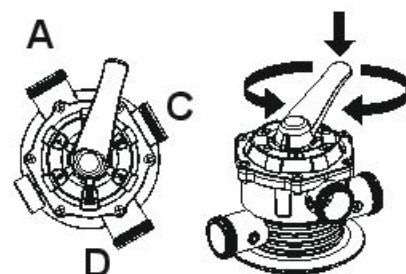
ΠΡΟΣΟΧΗ: ΓΙΑ ΤΗΝ ΠΡΟΛΗΨΗ ΒΛΑΒΗΣ ΤΟΥ ΕΞΟΠΛΙΣΜΟΥ ΚΑΙ ΠΙΘΑΝΟΥ ΤΡΑΥΜΑΤΙΣΜΟΥ, ΑΠΟΣΥΝΔΕΣΤΕ ΤΗΝ ΑΝΤΛΙΑ ΦΙΛΤΡΟΥ ΑΜΜΟΥ ΠΡΙΝ ΑΛΛΑΞΕΤΕ ΤΗ ΛΕΙΤΟΥΡΓΙΑ ΒΑΛΒΙΔΑΣ ΕΛΕΓΧΟΥ ΚΑΘΕ ΦΟΡΑ. ΑΛΛΑΓΗ ΤΩΝ ΘΕΣΕΩΝ ΒΑΛΒΙΔΑΣ ΕΝΩ Η ΑΝΤΛΙΑ ΛΕΙΤΟΥΡΓΕΙ ΜΠΟΡΕΙ ΝΑ ΠΡΟΚΑΛΕΣΕΙ ΒΛΑΒΗ ΣΤΗΝ ΒΑΛΒΙΔΑ ΕΛΕΓΧΟΥ, Η ΟΠΟΙΑ ΜΠΟΡΕΙ ΝΑ ΟΔΗΓΗΣΕΙ ΣΕ ΠΡΟΣΩΠΙΚΟ ΤΡΑΥΜΑΤΙΣΜΟ Η ΥΛΙΚΕΣ ΒΛΑΒΕΣ.

ΠΩΣ ΝΑ ΧΡΗΣΙΜΟΠΟΙΗΣΕΤΕ ΤΗΝ ΒΑΛΒΙΔΑ ΕΛΕΓΧΟΥ

ΠΙΕΣΤΕ ΠΡΟΣ ΤΑ ΚΑΤΩ ΤΗ ΛΑΒΗ ΤΗΣ ΒΑΛΒΙΔΑΣ ΕΛΕΓΧΟΥ ΚΑΙ ΠΕΡΙΣΤΡΕΨΤΕ ΣΤΗΝ ΕΠΙΘΥΜΗΤΗ ΛΕΙΤΟΥΡΓΙΑ.

ΛΕΙΤΟΥΡΓΙΕΣ ΒΑΛΒΙΔΑΣ ΕΛΕΓΧΟΥ

Η ΒΑΛΒΙΔΑ ΕΛΕΓΧΟΥ ΧΡΗΣΙΜΟΠΟΙΕΙΤΑΙ ΓΙΑ ΤΗΝ ΕΠΙΛΟΓΗ 6 ΔΙΑΦΟΡΕΤΙΚΩΝ ΛΕΙΤΟΥΡΓΙΩΝ ΦΙΛΤΡΟΥ: ΦΙΛΤΡΑΡΙΣΜΑ, ΕΚΠΛΥΣΗ, ΚΥΚΛΟΦΟΡΙΑ, ΑΝΑΣΤΡΟΦΗ ΠΛΥΣΗ, ΚΛΕΙΣΙΜΟ ΚΑΙ ΠΑΡΟΧΕΤΕΥΣΗ.



▶ ΦΙΛΤΡΟ: ΑΥΤΗ Η ΛΕΙΤΟΥΡΓΙΑ ΧΡΗΣΙΜΟΠΟΙΕΙΤΑΙ ΓΙΑ ΤΟ ΦΙΛΤΡΑΡΙΣΜΑ ΤΟΥ ΝΕΡΟΥ ΠΙΣΙΝΑΣ ΚΑΙ ΠΡΕΠΕΙ ΝΑ ΤΟΠΟΘΕΤΕΙΤΑΙ ΕΔΩ 99% ΤΟΥ ΧΡΟΝΟΥ. ΤΟ ΝΕΡΟ ΑΝΤΛΕΙΤΑΙ ΜΕΣΩ ΤΟΥ ΦΙΛΤΡΟΥ ΑΜΜΟΥ, ΟΠΟΥ ΚΑΘΑΡΙΖΕΤΑΙ ΚΑΙ ΕΠΙΣΤΡΕΦΕΙ ΣΤΗΝ ΠΙΣΙΝΑ.

⌚ ΚΥΚΛΟΦΟΡΙΑ: ΑΥΤΗ Η ΛΕΙΤΟΥΡΓΙΑ ΚΥΚΛΟΦΟΡΕΙ ΤΟ ΝΕΡΟ ΠΙΣΙΝΑΣ ΠΑΡΑΚΑΜΠΤΟΝΤΑΣ ΤΟ ΦΙΛΤΡΟ ΑΜΜΟΥ. ΧΡΗΣΙΜΟΠΟΙΗΣΤΕ ΑΥΤΗ ΤΗ ΛΕΙΤΟΥΡΓΙΑ ΑΝ ΤΟ ΦΙΛΤΡΟ ΕΧΕΙ ΣΠΑΣΕΙ ΓΙΑ ΤΗ ΣΥΛΛΟΓΗ ΑΠΟΡΡΙΜΑΤΩΝ ΣΤΑ ΦΙΛΤΡΑ ΑΠΟΡΡΙΜΑΤΩΝ.

⏪ ΑΝΑΣΤΡΟΦΗ ΠΛΥΣΗ: ΑΥΤΗ Η ΛΕΙΤΟΥΡΓΙΑ ΧΡΗΣΙΜΟΠΟΙΕΙΤΑΙ ΓΙΑ ΤΟΝ ΚΑΘΑΡΙΣΜΟ ΤΗΣ ΚΟΙΤΗΣ ΤΗΣ ΑΜΜΟΥ, ΤΟ ΝΕΡΟ ΑΝΤΛΕΙΤΑΙ ΠΡΟΣ ΤΑ ΚΑΤΩ ΜΕΣΩ ΤΟΥ ΟΜΦΑΛΟΥ ΣΥΝΔΕΤΗΡΑ, ΠΡΟΣ ΤΑ ΠΑΝΩ ΜΕΣΩ ΤΗΣ ΚΟΙΤΗΣ ΤΗΣ ΑΜΜΟΥ ΚΑΙ ΕΝΑΠΟΤΙΘΕΤΑΙ ΕΞΩ ΑΠΟ ΤΗ ΘΥΡΑ D.

⏩ ΠΑΡΟΧΕΤΕΥΣΗ: ΑΥΤΗ Η ΛΕΙΤΟΥΡΓΙΑ ΠΑΡΟΧΕΤΕΥΕΙ ΝΕΡΟ ΑΠΟ ΤΗΝ ΠΙΣΙΝΑ. ΜΙΑ ΑΛΛΗ ΡΥΘΜΙΣΗ ΠΑΡΑΚΑΜΨΗΣ ΦΙΛΤΡΟΥ, ΤΟ ΝΕΡΟ ΑΝΤΛΕΙΤΑΙ ΚΑΙ ΕΝΑΠΟΤΙΘΕΤΑΙ ΕΞΩ ΑΠΟ ΤΗΝ ΘΥΡΑ C, ΑΝΤΙ ΝΑ ΕΠΙΣΤΡΕΨΕΙ ΣΤΗΝ ΠΙΣΙΝΑ.

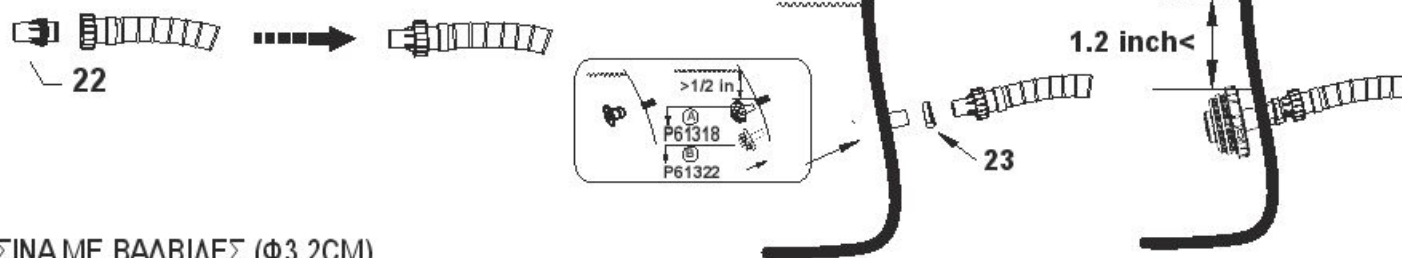
💧 ΕΚΠΛΥΣΗ: ΑΥΤΗ Η ΛΕΙΤΟΥΡΓΙΑ ΕΙΝΑΙ ΓΙΑ ΑΡΧΙΚΗ ΕΚΚΙΝΗΣΗ, ΚΑΘΑΡΙΣΜΟ ΚΑΙ ΕΠΙΠΕΔΩΣΗ ΤΗΣ ΚΟΙΤΗΣ ΤΗΣ ΑΜΜΟΥ ΜΕΤΑ ΤΗΝ ΑΝΑΣΤΡΟΦΗ ΠΛΥΣΗ. ΤΟ ΝΕΡΟ ΑΝΤΛΕΙΤΑΙ ΠΡΟΣ ΤΑ ΚΑΤΩ ΜΕΣΩ ΤΗΣ ΚΟΙΤΗΣ ΤΗΣ ΑΜΜΟΥ, ΠΡΟΣ ΤΑ ΠΑΝΩ ΜΕΣΩ ΤΟΥ ΟΜΦΑΛΟΥ ΣΥΝΔΕΤΗΡΑ ΚΑΙ ΕΝΑΠΟΤΙΘΕΤΑΙ ΕΞΩ ΑΠΟ ΤΗ ΘΥΡΑ D.

✘ ΚΛΕΙΣΙΜΟ: ΑΥΤΗ Η ΛΕΙΤΟΥΡΓΙΑ ΣΤΑΜΑΤΑ ΤΗ ΡΟΗ ΤΟΥ ΝΕΡΟΥ ΜΕΤΑΞΥ ΦΙΛΤΡΟΥ ΑΜΜΟΥ ΚΑΙ ΠΙΣΙΝΑΣ.

ΣΗΜΕΙΩΣΗ:

- ΒΕΒΑΙΩΘΕΙΤΕ ΟΤΙ ΟΛΕΣ ΟΙ ΡΥΘΜΙΣΕΙΣ ΓΙΑ ΤΗΝ ΑΠΟΡΡΙΨΗ ΤΟΥ ΝΕΡΟΥ ΑΠΟ ΒΛΗΤΩΝ ΠΛΗΡΟΥΝ ΤΟΥΣ ΙΣΧΥΟΝΤΕΣ ΤΟΠΙΚΟΥΣ, ΠΟΛΙΤΕΙΑΚΟΥΣ Η ΕΘΝΙΚΟΥΣ ΚΑΝΟΝΙΣΜΟΥΣ. ΜΗΝ ΑΠΟΡΡΙΠΤΕΤΕ ΝΕΡΟ ΟΠΟΥ ΜΠΟΡΕΙ ΝΑ ΠΡΟΚΑΛΕΣΕΙ ΥΠΕΡΧΕΙΛΙΣΗ Η ΒΛΑΒΗ.
- ΟΤΑΝ Η ΒΑΛΒΙΔΑ ΕΛΕΓΧΟΥ ΤΙΘΕΤΑΙ ΣΤΗ ΘΕΣΗ ΑΝΑΣΤΡΟΦΗ ΠΛΥΣΗ, ΕΚΠΛΥΣΗ Η ΠΑΡΟΧΕΤΕΥΣΗ, ΤΟ ΝΕΡΟ ΑΠΟΒΑΛΛΕΤΑΙ ΑΠΟ ΤΗ ΘΥΡΑ D ΣΤΗ ΒΑΛΒΙΔΑ ΕΛΕΓΧΟΥ.
- ΜΗΝ ΣΥΝΔΕΕΤΕ Η ΘΕΤΕΤΕ ΣΕ ΛΕΙΤΟΥΡΓΙΑ ΤΟ ΦΙΛΤΡΟ ΑΜΜΟΥ ΜΕ ΤΗ ΒΑΛΒΙΔΑ ΕΛΕΓΧΟΥ ΣΤΗ ΛΕΙΤΟΥΡΓΙΑ ΚΛΕΙΣΙΜΟ ΓΙΑΤΙ ΜΠΟΡΕΙ ΝΑ ΠΡΟΚΛΗΘΕΙ ΣΟΒΑΡΗ ΒΛΑΒΗ ΤΟΥ ΦΙΛΤΡΟΥ ΑΜΜΟΥ.
- ΜΗΝ ΘΕΤΕΤΕ ΤΗ ΒΑΛΒΙΔΑ ΕΛΕΓΧΟΥ ΜΕΤΑΞΥ ΔΥΟ ΛΕΙΤΟΥΡΓΙΩΝ ΓΙΑΤΙ ΑΥΤΟ ΜΠΟΡΕΙ ΝΑ ΟΔΗΓΗΣΕΙ ΣΕ ΔΙΑΡΡΟΗ.
- ΓΙΑ ΤΗΝ ΑΠΟΦΥΓΗ ΤΗΣ ΔΙΑΡΡΟΗΣ ΝΕΡΟΥ, ΒΙΔΩΣΤΕ ΤΟ ΚΑΠΑΚΙ ΤΗΣ ΘΥΡΑΣ D ΠΑΝΩ ΣΤΗ ΘΥΡΑ D ΤΗΣ ΒΑΛΒΙΔΑΣ ΕΛΕΓΧΟΥ ΠΡΙΝ ΘΕΣΕΤΕ ΣΕ ΛΕΙΤΟΥΡΓΙΑ ΤΟ ΦΙΛΤΡΟ ΑΜΜΟΥ.

ΛΕΙΤΟΥΡΓΙΕΣ ΠΡΟΣΑΡΜΟΓΕΑ ΕΥΚΑΜΠΤΟΥ ΣΩΛΗΝΑ



ΠΙΣΙΝΑ ΜΕ ΒΑΛΒΙΔΕΣ (Φ3,2CM)

- 1) ΣΥΝΔΕΣΤΕ ΤΟΥΣ ΠΡΟΣΑΡΜΟΓΕΙΣ (22) ΣΤΟΝ ΕΥΚΑΜΠΤΟ ΣΩΛΗΝΑ.
- 2) ΣΥΝΔΕΣΤΕ ΤΟΥΣ ΕΥΚΑΜΠΤΟΥΣ ΣΩΛΗΝΕΣ ΣΤΑ ΑΝΤΙΣΤΟΙΧΑ ΓΡΑΜΜΑΤΑ ΣΤΗΝ ΠΙΣΙΝΑ.
- 3) ΣΥΝΔΕΣΤΕ ΤΟΥΣ ΕΥΚΑΜΠΤΟΥΣ ΣΩΛΗΝΕΣ ΣΤΟ ΦΙΛΤΡΟ ΑΜΜΟΥ ΠΙΕΖΟΝΤΑΣ ΤΟ ΕΞΑΡΤΗΜΑ ΕΥΚΑΜΠΤΟΥ ΣΩΛΗΝΑ ΣΤΗΝ ΘΥΡΑ ΑΝΤΛΙΑΣ. ΒΙΔΩΣΤΕ ΤΟΥΣ ΔΑΚΤΥΛΙΟΥΣ ΑΣΦΑΛΙΣΗΣ ΜΕ ΣΠΕΙΡΩΜΑ ΣΤΗ ΘΕΣΗ ΤΟΥΣ. ΕΞΑΣΦΑΛΙΣΤΕ ΟΤΙ ΤΑ ΑΝΤΙΣΤΟΙΧΑ ΓΡΑΜΜΑΤΑ ΣΤΟ ΦΙΛΤΡΟ ΑΜΜΟΥ ΤΑΙΡΙΑΖΟΥΝ (Α ΜΕ Α, Β ΜΕ Β).
- 4) ΑΦΑΙΡΕΣΤΕ ΤΙΣ ΤΑΠΕΣ ΑΠΟΦΡΑΞΗΣ ΑΠΟ ΤΙΣ ΒΑΛΒΙΔΕΣ ΕΙΣΟΔΟΥ ΚΑΙ ΕΞΟΔΟΥ ΤΗΣ ΠΙΣΙΝΑΣ ΚΑΙ ΕΙΣΑΓΕΤΕ ΜΕ ΤΙΣ ΣΗΤΕΣ ΥΠΟΛΕΙΜΜΑΤΩΝ (26).
- 5) ΜΕ ΤΟΥΣ ΕΥΚΑΜΠΤΟΥΣ ΣΩΛΗΝΕΣ ΚΑΙ ΤΙΣ ΣΗΤΕΣ ΥΠΟΛΕΙΜΜΑΤΩΝ (26) ΣΤΗ ΘΕΣΗ ΤΟΥΣ, ΣΦΙΞΤΕ ΤΟΥΣ ΣΦΙΓΚΤΗΡΕΣ ΕΥΚΑΜΠΤΟΥ ΣΩΛΗΝΑ (23).

ΛΕΙΤΟΥΡΓΙΕΣ ΠΡΟΣΑΡΜΟΓΕΑ ΓΙΑ ΛΑΣΤΙΧΟ ΚΗΠΟΥ



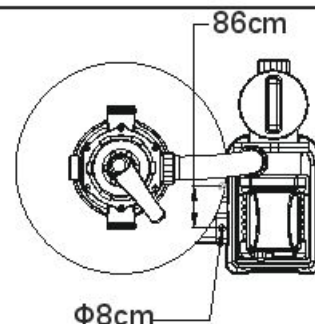
1. ΣΥΝΑΡΜΟΛΟΓΗΣΤΕ ΤΟΝ ΠΡΟΣΑΡΜΟΓΕΑ (11) ΓΙΑ ΛΑΣΤΙΧΟ ΚΗΠΟΥ.
2. ΒΙΔΩΣΤΕ ΤΟΝ ΠΡΟΣΑΡΜΟΓΕΑ (11) ΓΙΑ ΛΑΣΤΙΧΟ ΚΗΠΟΥ ΣΤΗ ΘΥΡΑ ΤΟΥ ΦΙΛΤΡΟΥ ΑΜΜΟΥ.
3. ΣΥΝΔΕΣΤΕ ΤΟ ΛΑΣΤΙΧΟ ΤΟΥ ΚΗΠΟΥ ΣΤΟΝ ΠΡΟΣΑΡΜΟΓΕΑ (11) ΓΙΑ ΛΑΣΤΙΧΟ ΚΗΠΟΥ.

ΣΗΜΕΙΩΣΗ:

1. Ο ΠΡΟΣΑΡΜΟΓΕΑΣ (11) ΓΙΑ ΛΑΣΤΙΧΟ ΚΗΠΟΥ ΜΠΟΡΕΙ ΝΑ ΧΡΗΣΙΜΟΠΟΙΗΘΕΙ ΜΟΝΟ ΓΙΑ ΑΠΟΣΤΡΑΓΓΙΣΗ ΚΑΙ ΜΠΟΡΕΙ ΝΑ ΣΥΝΑΡΜΟΛΟΓΗΘΕΙ ΜΟΝΟ ΣΤΗ ΘΥΡΑ ΤΟΥ ΦΙΛΤΡΟΥ ΑΜΜΟΥ.
2. ΠΑΝΤΟΤΕ ΑΠΕΝΕΡΓΟΠΟΙΕΙΤΕ ΚΑΙ ΑΠΟΣΥΝΔΕΕΤΕ ΤΟ ΦΙΛΤΡΟ ΑΜΜΟΥ ΑΠΟ ΤΗΝ ΠΑΡΟΧΗ ΤΡΟΦΟΔΟΣΙΑΣ ΠΡΙΝ ΣΥΝΑΡΜΟΛΟΓΗΣΤΕ ΤΟΝ ΠΡΟΣΑΡΜΟΓΕΑ (11) ΓΙΑ ΛΑΣΤΙΧΟ ΚΗΠΟΥ ΚΑΙ ΘΕΣΤΕ ΤΗ ΒΑΛΒΙΔΑ ΕΛΕΓΧΟΥ ΣΤΗΝ ΚΛΕΙΣΤΗ ΘΕΣΗ.
3. ΕΞΑΣΦΑΛΙΣΤΕ ΟΤΙ Η ΡΟΔΕΛΑ ΕΙΝΑΙ ΣΤΗ ΘΕΣΗ ΤΗΣ ΠΡΙΝ ΣΥΝΑΡΜΟΛΟΓΗΣΤΕ ΤΟΝ ΠΡΟΣΑΡΜΟΓΕΑ (11) ΓΙΑ ΛΑΣΤΙΧΟ ΚΗΠΟΥ.

ΕΝΟΤΗΤΑ I: ΣΥΝΑΡΜΟΛΟΓΗΣΗ (ΘΑ ΧΡΕΙΑΣΤΕΙΤΕ ΕΝΑ ΚΑΤΣΑΒΙΔΙ Phillips.)

1. ΑΦΑΙΡΕΣΤΕ ΠΡΟΣΕΚΤΙΚΑ ΟΛΑ ΤΑ ΕΞΑΡΤΗΜΑΤΑ ΑΠΟ ΤΗ ΣΥΣΚΕΥΑΣΙΑ ΚΑΙ ΕΛΕΓΞΤΕ ΓΙΑ ΝΑ ΒΕΒΑΙΩΘΕΙΤΕ ΟΤΙ ΔΕΝ ΥΠΑΡΧΕΙ ΠΟΥΘΕΝΑ ΒΛΑΒΗ. ΑΝ Ο ΕΞΟΠΛΙΣΜΟΣ ΠΑΡΟΥΣΙΑΖΕΙ ΒΛΑΒΗ, ΕΙΔΟΠΟΙΗΣΤΕ ΑΜΕΣΩΣ ΤΟΝ ΜΕΤΑΠΩΛΗΤΗ ΑΠ'ΟΠΟΥ ΑΓΟΡΑΣΤΗΚΕ.
2. ΤΟ ΦΙΛΤΡΟ ΑΜΜΟΥ ΠΡΕΠΕΙ ΝΑ ΤΟΠΟΘΕΤΕΙΤΑΙ ΣΕ ΣΤΕΡΕΟ, ΕΠΙΠΕΔΟ ΕΔΑΦΟΣ, ΠΡΟΤΙΜΟΤΕΡΑ ΣΕ ΒΑΘΡΟ ΣΚΥΡΟΔΕΜΑΤΟΣ. ΤΟΠΟΘΕΤΗΣΤΕ ΤΟ ΦΙΛΤΡΟ ΑΜΜΟΥ ΕΤΣΙ ΠΟΥ ΟΙ ΘΥΡΕΣ ΚΑΙ ΟΙ ΒΑΛΒΙΔΕΣ ΕΛΕΓΧΟΥ ΝΑ ΕΙΝΑΙ ΠΡΟΣΠΕΛΑΣΙΜΕΣ ΓΙΑ ΛΕΙΤΟΥΡΓΙΑ, ΣΥΝΤΗΡΗΣΗ ΚΑΙ ΑΠΟΘΗΚΕΥΣΗ ΓΙΑ ΤΟΝ ΧΕΙΜΩΝΑ.
3. ΚΑΤΑ ΤΙΣ ΑΠΑΙΤΗΣΕΙΣ ΔΟΚΙΜΩΝ ΠΟΥ ΠΡΟΔΙΑΓΡΑΦΟΝΤΑΙ ΑΠΟ ΤΟ ΠΡΟΤΥΠΟ EN60335-2-41, ΤΟ ΦΙΛΤΡΟ ΑΜΜΟΥ ΠΡΕΠΕΙ ΝΑ ΣΤΕΡΕΩΝΕΤΑΙ ΚΑΤΑΚΟΡΥΦΑ ΣΤΟ ΕΔΑΦΟΣ Η ΝΑ ΚΑΤΑΣΚΕΥΑΖΕΤΑΙ ΕΝΑ ΒΑΘΡΟ ΑΠΟ ΞΥΛΟ Η ΣΚΥΡΟΔΕΜΑ ΠΡΙΝ ΑΠΟ ΤΗ ΧΡΗΣΗ ΓΙΑ ΤΗΝ ΠΡΟΛΗΨΗ ΑΚΟΥΣΙΑΣ ΠΤΩΣΗΣ ΤΟΥ ΦΙΛΤΡΟΥ ΑΜΜΟΥ. ΤΟ ΠΛΗΡΩΣ ΣΥΝΑΡΜΟΛΟΓΗΜΕΝΟ ΦΙΛΤΡΟ ΑΜΜΟΥ ΘΑ ΥΠΕΡΒΑΙΝΕΙ ΤΑ 18kg. ΟΙ ΟΠΕΣ ΤΟΠΟΘΕΤΗΣΗΣ ΠΡΕΠΕΙ ΝΑ ΕΧΟΥΝ ΔΙΑΜΕΤΡΟ 8mm ΚΑΙ ΝΑ ΑΠΕΧΟΥΝ 86mm. ΧΡΗΣΙΜΟΠΟΙΗΣΤΕ ΔΥΟ ΚΟΧΛΙΕΣ ΚΑΙ ΠΑΞΙΜΑΔΙΑ ΜΕ ΜΕΓΙΣΤΗ ΔΙΑΜΕΤΡΟ 8mm ΓΙΑ ΝΑ ΣΤΕΡΕΩΣΕΤΕ ΤΟ ΦΙΛΤΡΟ ΑΜΜΟΥ ΣΤΟ ΒΑΘΡΟ.

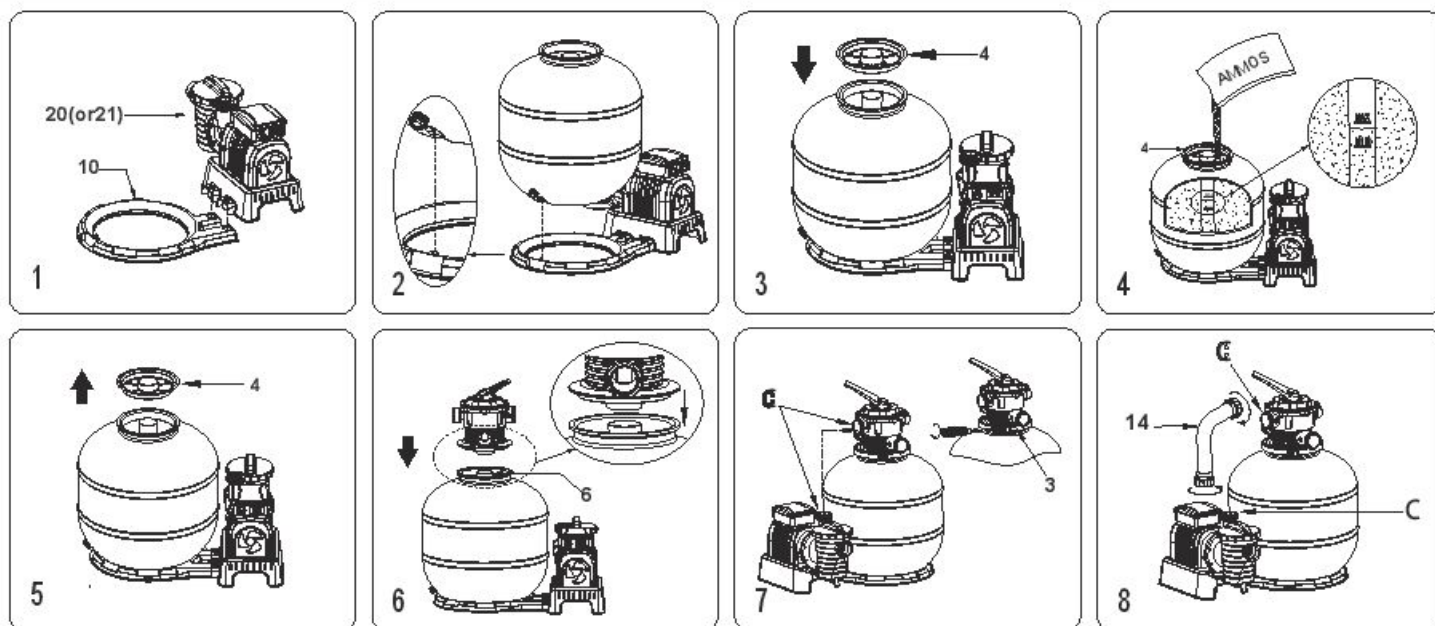


ΤΟΠΟΘΕΤΗΣΤΕ ΑΜΜΟ ΦΙΛΤΡΟΥ ΠΟΙΟΤΗΤΑΣ ΠΙΣΙΝΑΣ.

ΣΗΜΕΙΩΣΗ: ΧΡΗΣΙΜΟΠΟΙΗΣΤΕ ΜΟΝΟ ΕΙΔΙΚΗ ΑΜΜΟ ΦΙΛΤΡΟΥ ΠΟΙΟΤΗΤΑΣ ΠΙΣΙΝΑΣ, ΧΩΡΙΣ ΑΣΒΕΣΤΟΛΙΘΟ Η ΠΗΛΟ. ΠΥΡΙΤΙΚΗ ΑΜΜΟΣ ΑΡ. 20, 0,45-0,85mm, ΠΕΡΙΠΟΥ ΕΝΑΣ ΣΑΚΟΣ 35kg ΘΑ ΠΡΕΠΕΙ ΝΑ ΕΠΑΡΚΕΙ. ΕΑΝ ΔΕΝ ΧΡΗΣΙΜΟΠΟΙΗΣΤΕ ΤΟ ΣΥΝΙΣΤΩΜΕΝΟ ΜΕΓΕΘΟΣ ΑΜΜΟΥ ΦΙΛΤΡΟΥ, Η ΑΠΟΔΟΣΗ ΤΟΥ ΦΙΛΤΡΑΡΙΣΜΑΤΟΣ ΘΑ ΜΕΙΩΘΕΙ ΚΑΙ ΤΟ ΦΙΛΤΡΟ ΑΜΜΟΥ ΜΠΟΡΕΙ ΝΑ ΥΠΟΣΤΕΙ ΖΗΜΙΑ, ΑΚΥΡΩΝΟΝΤΑΣ ΕΤΣΙ ΤΗΝ ΕΓΓΥΗΣΗ.

ΣΗΜΕΙΩΣΗ: ΓΙΑ ΝΑ ΑΠΟΦΕΥΧΘΕΙ ΒΛΑΒΗ ΣΤΟ ΞΑΦΡΙΣΤΗΡΙ ΚΑΤΑ ΤΗΝ ΠΡΟΣΟΗΚΗ ΑΜΜΟΥ, ΧΥΣΤΕ ΛΙΓΟ ΝΕΡΟ ΣΤΟ ΚΑΤΩ ΔΟΧΕΙΟ ΓΙΑ ΝΑ ΒΥΘΙΣΤΕ ΤΟ ΞΑΦΡΙΣΤΗΡΙ ΣΤΟΝ ΟΜΦΑΛΟ ΣΥΛΛΕΚΤΗ.

ΣΗΜΕΙΩΣΗ: ΔΕΝ ΣΥΜΠΕΡΙΛΑΜΒΑΝΕΤΑΙ ΑΜΜΟΣ.

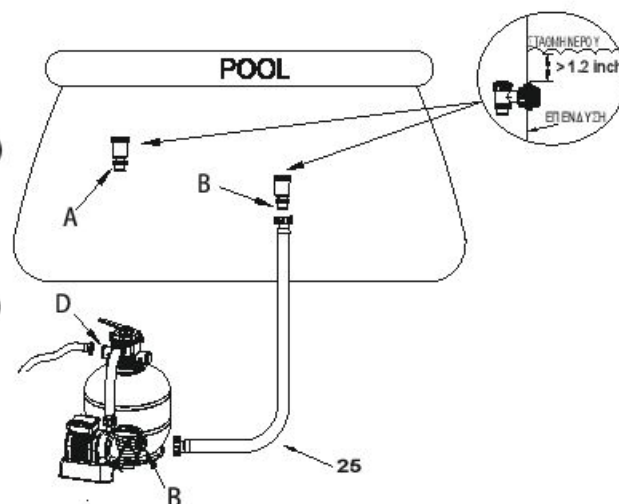


1. ΤΟΠΟΘΕΤΗΣΤΕ ΤΗ ΒΑΣΗ ΔΕΞΑΜΕΝΗΣ ΣΤΗ ΣΩΣΤΗ ΘΕΣΗ, ΕΥΘΥΓΡΑΜΜΙΖΟΝΤΑΣ ΤΟΝ ΟΠΗ ΘΕΣΗΣ.
2. ΤΟΠΟΘΕΤΗΣΤΕ ΔΕΞΑΜΕΝΗ ΣΤΗ ΣΩΣΤΗ ΘΕΣΗ ΤΗΣ ΒΑΣΗΣ ΔΕΞΑΜΕΝΗΣ.
3. ΤΟΠΟΘΕΤΗΣΤΕ ΤΟ ΚΑΛΥΜΜΑ ΦΙΛΤΡΟΥ (4).
4. ΠΡΟΣΘΕΣΤΕ ΤΗΝ ΑΜΜΟ ΑΡΓΑ ΕΤΣΙ ΩΣΤΕ ΤΟ ΒΑΡΟΣ ΤΗΣ ΑΜΜΟΥ ΝΑ ΜΗΝ ΠΡΟΚΑΛΕΣΕΙ ΖΗΜΙΑ ΣΤΗΝ ΑΠΟΧΗ ΕΠΙΦΑΝΕΙΑΣ ΕΠΑΝΩ ΣΤΗΝ ΠΛΗΜΝΗ, ΜΕΧΡΙ ΝΑ ΦΤΑΣΕΙ ΤΗ ΣΤΑΘΜΗ ΜΕΤΑΞΥ "MAX" ΚΑΙ "MIN". ΠΥΡΙΤΙΚΗ ΑΜΜΟΣ #20 0,45-0,85 ΜΜ, ΠΕΡΙΠΟΥ 35 ΚΓ.
5. ΤΡΑΒΗΞΤΕ ΕΞΩ ΤΟ ΚΑΛΥΜΜΑ ΦΙΛΤΡΟΥ (4).
6. ΧΑΜΗΛΩΣΤΕ ΑΡΓΑ ΤΗ ΒΑΛΒΙΔΑ ΕΛΕΓΧΟΥ ΠΑΝΩ ΑΠΟ ΤΗ ΔΕΞΑΜΕΝΗ ΚΑΙ ΕΞΑΣΦΑΛΙΣΤΕ ΟΤΙ Ο ΣΩΛΗΝΑΣ ΠΑΡΑΚΑΜΨΗΣ ΠΟΥ ΠΡΟΕΞΕΧΕΙ ΚΑΤΩ ΑΠΟ ΤΗ ΒΑΛΒΙΔΑ ΕΛΕΓΧΟΥ ΠΡΟΣΑΡΜΟΖΕΤΑΙ ΑΣΦΑΛΩΣ ΣΤΗΝ ΠΛΗΜΝΗ (6).
7. ΒΕΒΑΙΩΘΕΙΤΕ ΟΤΙ Η ΘΥΡΑ ΣΤΗ ΒΑΛΒΙΔΑ ΕΛΕΓΧΟΥ ΕΙΝΑΙ ΕΥΘΥΓΡΑΜΜΙΣΜΕΝΗ ΜΕ ΤΗΝ ΘΥΡΑ ΣΤΗΝ ΑΝΤΛΙΑ. ΣΥΝΔΕΣΤΕ ΤΟΝ ΕΠΑΝΩ ΣΦΙΓΚΤΗΡΑ ΦΛΑΝΤΖΑΣ(3) ΚΑΙ ΒΙΔΩΣΤΕ ΤΟΝ ΣΤΗ ΘΕΣΗ ΤΟΥ.
8. ΣΥΝΔΕΣΤΕ ΤΗ ΣΩΛΗΝΩΣΗ(14) ΣΤΗ ΘΥΡΑ ΣΤΗΣ ΑΝΤΛΙΑΣ ΚΑΙ ΣΤΗ ΘΥΡΑ ΣΤΗΣ ΒΑΛΒΙΔΑΣ ΕΛΕΓΧΟΥ. ΒΙΔΩΣΤΕ ΤΟΥΣ ΔΑΚΤΥΛΙΟΥΣ ΑΣΦΑΛΙΣΗΣ ΜΕ ΣΠΕΙΡΩΜΑ ΣΤΗ ΘΕΣΗ ΤΟΥΣ. ΒΕΒΑΙΩΘΕΙΤΕ ΟΤΙ Η ΡΟΔΕΛΑ ΕΙΝΑΙ ΤΟΠΟΘΕΤΗΜΕΝΗ ΣΩΣΤΑ ΚΑΙ ΣΤΑ ΔΥΟ ΑΚΡΑ ΤΗΣ ΣΩΛΗΝΩΣΗΣ(14).

ΕΝΟΤΗΤΑ II: ΔΙΑΜΟΡΦΩΣΗ ΤΟΥ ΣΩΛΗΝΑ ΓΙΑ ΑΝΑΣΤΡΟΦΗ ΠΛΥΣΗ ΚΑΙ ΕΚΠΛΥΣΗ

ΣΗΜΕΙΩΣΗ: ΒΕΒΑΙΩΘΕΙΤΕ ΟΤΙ Η ΒΑΛΒΙΔΑ ΕΛΕΓΧΟΥ ΕΧΕΙ ΤΕΘΕΙ ΣΤΗ ΛΕΙΤΟΥΡΓΙΑ ΚΛΕΙΣΙΜΟ. Η ΠΙΣΙΝΑ ΘΑ ΠΡΕΠΕΙ ΝΑ ΓΕΜΙΣΕΙ ΜΕ ΝΕΡΟ, ΒΕΒΑΙΩΘΕΙΤΕ ΟΤΙ ΚΑΙ ΟΙ Δ'ΥΟ ΣΗΤΕΣ ΥΠΟΛΕΙΜΜΑΤΩΝ ΤΗΣ ΠΙΣΙΝΑΣ ΕΙΝΑΙ ΠΛΗΡΩΣ ΒΥΘΙΣΜΕΝΕΣ ΣΤΟ ΝΕΡΟ.

1. ΣΥΝΔΕΣΤΕ ΕΝΑΝ ΕΥΚΑΜΠΤΟ ΣΩΛΗΝΑ (25) ΣΤΗ ΘΥΡΑ Β ΤΟΥ ΦΙΛΤΡΟΥ ΑΜΜΟΥ. ΒΙΔΩΣΤΕ ΤΟ ΔΑΚΤΥΛΙΟ ΑΣΦΑΛΙΣΗΣ ΜΕ ΣΠΕΙΡΩΜΑ ΣΤΗ ΘΕΣΗ ΤΟΥ.
 2. ΒΙΔΩΣΤΕ ΤΟ ΑΛΛΟ ΑΚΡΟ ΤΟΥ ΕΥΚΑΜΠΤΟΥ ΣΩΛΗΝΑ (25) ΣΤΗ ΒΑΛΒΙΔΑ ΣΥΝΔΕΣΗΣ ΤΗΣ ΘΥΡΑΣ Β. ΒΙΔΩΣΤΕ ΤΟ ΔΑΚΤΥΛΙΟ ΑΣΦΑΛΙΣΗΣ ΜΕ ΣΠΕΙΡΩΜΑ ΣΤΗ ΘΕΣΗ ΤΟΥ.
 3. ΑΝΟΙΞΤΕ ΤΗ ΒΑΛΒΙΔΑ ΣΥΝΔΕΣΗΣ
- ΣΗΜΕΙΩΣΗ:** ΜΠΟΡΕΙΤΕ ΝΑ ΑΝΑΤΡΕΞΕΤΕ ΣΤΟ ΕΓΧΕΙΡΙΔΙΟ ΠΙΣΙΝΑΣ ΓΙΑ ΤΙΣ ΟΔΗΓΙΕΣ ΕΓΚΑΤΑΣΤΑΣΗΣ ΤΗΣ ΒΑΛΒΙΔΑΣ ΣΥΝΔΕΣΗΣ.
4. ΒΙΔΩΣΤΕ ΤΟΝ ΆΛΛΟ ΕΥΚΑΜΠΤΟ ΣΩΛΗΝΑ ΣΤΗ ΘΥΡΑ D ΚΑΙ ΤΟΠΟΘΕΤΗΣΤΕ ΤΟ ΑΝΤΙΘΕΤΟ ΑΚΡΟ ΣΤΟ ΧΩΡΟ ΑΠΟΣΤΡΑΓΓΙΣΗΣ.



ΕΝΟΤΗΤΑ III: ΑΝΑΣΤΡΟΦΗ ΠΛΥΣΗ ΚΑΙ ΕΚΠΛΥΣΗ

ΓΙΑ ΤΗΝ ΠΡΟΕΤΟΙΜΑΣΙΑ ΤΗΣ ΑΝΤΛΙΑΣ ΓΙΑ ΤΗΝ ΠΡΩΤΗ ΧΡΗΣΗ ΤΗΣ ΚΑΙ ΤΗΝ ΕΚΠΛΥΣΗ ΤΗΣ ΑΜΜΟΥ ΠΡΕΠΕΙ ΝΑ ΕΚΤΕΛΕΣΤΕΙ ΑΝΑΣΤΡΟΦΗ ΠΛΥΣΗ ΚΑΙ ΕΚΠΛΥΣΗ.

ΠΡΟΣΟΧΗ: ΜΗΝ ΑΔΕΙΑΖΕΤΕ ΕΝΤΕΛΩΣ ΤΟ ΦΙΛΤΡΟ ΑΜΜΟΥ.

1. ΠΙΕΣΤΕ ΠΡΟΣ ΤΑ ΚΑΤΩ ΤΗ ΛΑΒΗ ΤΗΣ ΒΑΛΒΙΔΑΣ ΕΛΕΓΧΟΥ ΚΑΙ ΠΕΡΙΣΤΡΕΨΤΕ ΣΤΗ ΛΕΙΤΟΥΡΓΙΑ ΑΝΑΣΤΡΟΦΗΣ ΠΛΥΣΗΣ.
2. ΣΥΝΔΕΣΤΕ ΤΟ ΡΕΥΜΑΤΟΛΗΠΤΗ ΣΕ ΕΝΑΝ ΑΥΤΟΜΑΤΟ ΔΙΑΚΟΠΤΗ ΔΙΑΡΡΟΗΣ (RCD) ΚΑΙ ΣΤΗ ΣΥΝΕΧΕΙΑ ΕΝΕΡΓΟΠΟΙΗΣΤΕ ΤΟ ΦΙΛΤΡΟ ΑΜΜΟΥ ΚΑΙ ΛΕΙΤΟΥΡΓΗΣΤΕ ΤΟ ΦΙΛΤΡΟ ΑΜΜΟΥ ΓΙΑ 3-5 ΛΕΠΤΑ, Η ΜΕΧΡΙ ΝΑ ΤΡΕΞΕΙ ΚΑΘΑΡΟ ΝΕΡΟ.
3. ΑΠΟΣΥΝΔΕΣΤΕ ΤΟ ΦΙΛΤΡΟ ΑΜΜΟΥ ΚΑΙ ΘΕΣΤΕ ΤΗ ΒΑΛΒΙΔΑ ΕΛΕΓΧΟΥ ΣΤΗ ΘΕΣΗ ΠΛΥΣΗΣ.
4. ΕΙΣΑΓΕΤΕ ΤΟ ΒΥΣΜΑ ΚΑΙ ΘΕΣΤΕ ΣΕ ΛΕΙΤΟΥΡΓΙΑ ΤΟ ΦΙΛΤΡΟ ΑΜΜΟΥ ΓΙΑ ΕΝΑ ΛΕΠΤΟ. ΑΥΤΟ ΘΕΤΕΙ ΤΟ ΝΕΡΟ ΣΕ ΑΝΑΣΤΡΟΦΗ ΚΥΚΛΟΦΟΡΙΑ ΜΕΣΩ ΤΟΥ ΦΙΛΤΡΟΥ ΑΜΜΟΥ ΚΑΙ ΠΑΡΟΧΕΤΕ ΥΕΙ ΤΟ ΝΕΡΟ ΕΞΩ ΑΠΟ ΤΗΝ ΘΥΡΑ D.
5. ΑΠΟΣΥΝΔΕΣΤΕ ΤΟ ΦΙΛΤΡΟ ΑΜΜΟΥ. ΘΕΣΤΕ ΤΗ ΒΑΛΒΙΔΑ ΕΛΕΓΧΟΥ ΣΤΗ ΛΕΙΤΟΥΡΓΙΑ ΚΛΕΙΣΙΜΟ.
6. ΓΕΜΙΣΤΕ ΜΕ ΝΕΡΟ ΠΙΣΙΝΑΣ.

ΣΗΜΕΙΩΣΗ: ΜΠΟΡΕΙΤΕ ΝΑ ΑΝΑΤΡΕΞΕΤΕ ΣΤΟ ΕΓΧΕΙΡΙΔΙΟ ΠΙΣΙΝΑΣ ΓΙΑ ΤΙΣ ΟΔΗΓΙΕΣ ΕΓΚΑΤΑΣΤΑΣΗΣ ΤΗΣ ΒΑΛΒΙΔΑΣ ΣΥΝΔΕΣΗΣ.

ΕΝΟΤΗΤΑ IV: ΠΛΗΡΗΣ ΕΓΚΑΤΑΣΤΑΣΗ ΤΟΥ ΦΙΛΤΡΟΥ ΑΜΜΟΥ

ΣΥΝΔΕΣΤΕ ΤΟ ΔΕΥΤΕΡΟ ΣΩΛΗΝΑ

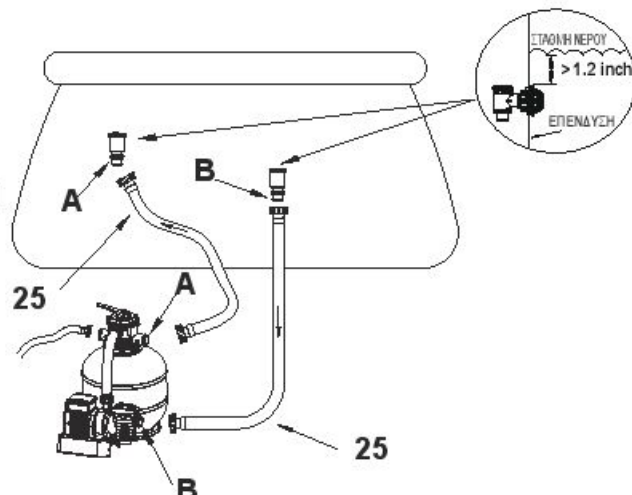
ΣΗΜΕΙΩΣΗ: ΕΙΝΑΙ ΕΠΙΤΑΚΤΙΚΗ ΑΝΑΓΚΗ ΝΑ ΕΛΕΓΧΕΤΕ ΑΝ ΟΙ ΥΔΡΑΥΛΙΚΟΙ ΣΥΝΔΕΣΜΟΙ ΕΙΝΑΙ ΑΜΕΤΑΚΙΝΗΤΟΙ.

ΣΗΜΕΙΩΣΗ: ΒΕΒΑΙΩΘΕΙΤΕ ΟΤΙ Η ΒΑΛΒΙΔΑ ΕΛΕΓΧΟΥ ΕΧΕΙ ΤΘΕΙ ΣΤΗ ΛΕΙΤΟΥΡΓΙΑ ΚΛΕΙΣΙΜΟ.

ΣΥΝΑΡΜΟΛΟΓΗΣΗ

1. ΑΠΟΣΥΝΔΕΣΤΕ ΤΟ ΣΩΛΗΝΑ (25) ΑΠΟ ΤΗ ΘΥΡΑ D.
2. ΠΡΟΣΑΡΤΗΣΤΕ ΤΗ ΣΩΛΗΝΩΣΗ (25) ΣΤΗΝ ΘΥΡΑ A ΤΗΣ ΒΑΛΒΙΔΑΣ ΕΛΕΓΧΟΥ ΚΑΙ ΒΙΔΩΣΤΕ ΤΟ ΣΠΕΙΡΩΜΕΝΟ ΔΑΚΤΥΛΙΟ ΑΣΦΑΛΙΣΗΣ ΣΤΗ ΘΕΣΗ ΤΟΥ.
3. ΣΥΝΔΕΣΤΕ ΤΟ ΑΛΛΟ ΑΚΡΟ ΤΟΥ ΣΩΛΗΝΑ (25) ΣΤΗΝ ΕΙΣΟΔΟ A ΤΗΣ ΠΙΣΙΝΑΣ.
4. ΑΝΟΙΞΤΕ ΤΗ ΒΑΛΒΙΔΑ ΣΥΝΔΕΣΗΣ.

ΣΗΜΕΙΩΣΗ: ΜΠΟΡΕΙΤΕ ΝΑ ΑΝΑΤΡΕΞΕΤΕ ΣΤΟ ΕΓΧΕΙΡΙΔΙΟ ΠΙΣΙΝΑΣ ΓΙΑ ΤΙΣ ΟΔΗΓΙΕΣ ΕΓΚΑΤΑΣΤΑΣΗΣ ΤΗΣ ΒΑΛΒΙΔΑΣ ΣΥΝΔΕΣΗΣ.



ΕΝΟΤΗΤΑ V:

ΕΓΚΑΤΑΣΤΑΣΗ ΤΟΥ ΦΙΛΤΡΟΥ ΑΜΜΟΥ

1. ΤΟ ΦΙΛΤΡΟ ΑΜΜΟΥ ΕΙΝΑΙ ΤΩΡΑ ΕΤΟΙΜΟ ΓΙΑ ΧΡΗΣΗ. ΘΕΣΤΕ ΤΗ ΒΑΛΒΙΔΑ ΕΛΕΓΧΟΥ ΣΤΗ ΛΕΙΤΟΥΡΓΙΑ ΦΙΛΤΡΑΡΙΣΜΑ.

ΣΗΜΕΙΩΣΗ: ΕΙΝΑΙ ΣΗΜΑΝΤΙΚΟ ΝΑ ΒΕΒΑΙΩΘΕΙΤΕ ΟΤΙ ΟΛΑ ΤΑ ΣΤΟΙΧΕΙΑ: ΕΥΚΑΜΠΤΟΣ ΣΩΛΗΝΑΣ, ΣΗΤΑ ΥΠΟΛΕΙΜΜΑΤΩΝ ΚΑΙ ΕΙΣΟΔΟΣ ΠΙΣΙΝΑΣ ΕΙΝΑΙ ΣΩΣΤΑ ΕΥΘΥΓΡΑΜΜΙΣΜΕΝΑ.

ΣΗΜΕΙΩΣΗ: ΓΙΑ ΤΗΝ ΠΡΟΛΗΨΗ ΤΟΥ ΚΙΝΔΥΝΟΥ ΗΛΕΚΤΡΟΠΛΗΞΙΑΣ, ΣΚΟΥΠΙΣΤΕ ΤΥΧΟΝ ΠΕΡΙΣΣΕΙΑ ΝΕΡΟΥ ΑΠΟ ΕΣΑΣ ΚΑΙ ΤΟ ΦΙΛΤΡΟ ΑΜΜΟΥ.

ΣΗΜΑΝΤΙΚΟ: ΠΡΙΝ ΤΗ ΛΕΙΤΟΥΡΓΙΑ, ΒΕΒΑΙΩΘΕΙΤΕ ΟΤΙ Η ΔΕΞΑΜΕΝΗ ΕΙΝΑΙ ΣΤΑΘΕΡΑ ΤΟΠΟΘΕΤΗΜΕΝΗ ΣΤΗ ΒΑΣΗ ΤΗΣ ΚΑΙ ΣΩΣΤΑ ΣΥΝΔΕΔΕΜΕΝΗ ΜΕ ΤΗΝ ΑΝΤΛΙΑ.

2. ΘΕΣΤΕ ΣΕ ΛΕΙΤΟΥΡΓΙΑ ΤΟ ΦΙΛΤΡΟ ΑΜΜΟΥ, ΕΝΕΡΓΟΠΟΙΩΝΤΑΣ ΤΟ.

ΣΗΜΕΙΩΣΗ: ΤΟ ΦΙΛΤΡΟ ΑΜΜΟΥ ΕΧΕΙ ΤΩΡΑ ΞΕΚΙΝΗΣΕΙ ΤΟΝ ΚΥΚΛΟ ΦΙΛΤΡΑΡΙΣΜΑΤΟΣ.

ΕΛΕΓΞΤΕ ΟΤΙ ΤΟ ΝΕΡΟ ΕΠΙΣΤΡΕΦΕΙ ΣΤΗΝ ΠΙΣΙΝΑ ΚΑΙ ΣΗΜΕΙΩΣΤΕ ΤΗΝ ΠΙΕΣΗ ΤΟΥ ΦΙΛΤΡΟΥ ΣΤΟ ΜΑΝΟΜΕΤΡΟ.

ΓΕΝΙΚΑ, Η ΣΥΝΙΣΤΩΜΕΝΗ ΠΙΕΣΗ ΦΙΛΤΡΟΥ ΑΜΜΟΥ ΕΙΝΑΙ ΜΙΚΡΟΤΕΡΗ ΑΠΟ 0.56Bar (8.0PSI) ΟΤΑΝ ΛΕΙΤΟΥΡΓΕΙ.



ΣΥΝΤΗΡΗΣΗ ΤΟΥ ΦΙΛΤΡΟΥ ΑΜΜΟΥ

ΠΡΟΣΟΧΗ: ΠΡΕΠΕΙ ΝΑ ΒΕΒΑΙΩΘΕΙΤΕ ΟΤΙ ΤΟ ΦΙΛΤΡΟ ΑΜΜΟΥ ΕΙΝΑΙ ΑΠΕΝΕΡΓΟΠΟΙΗΜΕΝΟ ΚΑΙ ΑΠΟΣΥΝΔΕΔΕΜΕΝΟ ΠΡΙΝ ΤΗΝ ΕΝΑΡΞΗ ΟΠΟΙΑΣΔΗΠΟΤΕ ΕΡΓΑΣΙΑΣ ΣΥΝΤΗΡΗΣΗΣ, ΔΙΑΦΟΡΕΤΙΚΑ ΥΠΑΡΧΕΙ ΣΟΒΑΡΟΣ ΚΙΝΔΥΝΟΣ ΤΡΑΥΜΑΤΙΣΜΟΥ Η ΘΑΝΑΤΟΥ.

ΚΑΘΩΣ ΣΥΣΣΩΡΕΥΕΤΑΙ Η ΒΡΩΜΙΑ ΣΤΟ ΦΙΛΤΡΟ ΑΜΜΟΥ, Η ΕΝΔΕΙΞΗ ΠΙΕΣΗΣ ΣΤΟ ΜΑΝΟΜΕΤΡΟ ΘΑ ΑΥΞΗΘΕΙ. ΟΤΑΝ ΤΟ ΜΑΝΟΜΕΤΡΟ ΕΙΝΑΙ ΣΤΑ 0.56Bar (8.0PSI) Η ΥΨΗΛΟΤΕΡΑ, Η ΡΟΗ ΝΕΡΟΥ ΠΡΟΣ ΤΗΝ ΠΙΣΙΝΑ ΕΙΝΑΙ ΥΠΕΡΒΟΛΙΚΑ ΧΑΜΗΛΗ. ΕΙΝΑΙ ΚΑΙΡΟΣ ΝΑ ΚΑΘΑΡΙΣΤΕ ΤΗΝ ΑΜΜΟ. ΓΙΑ ΤΟΝ ΚΑΘΑΡΙΣΜΟ ΤΗΣ ΚΟΙΤΗΣ ΤΗΣ ΑΜΜΟΥ, ΑΚΟΛΟΥΘΗΣΤΕ ΟΛΕΣ ΤΙΣ ΟΔΗΓΙΕΣ ΠΟΥ ΠΕΡΙΓΡΑΦΤΗΚΑΝ ΠΡΟΗΓΟΥΜΕΝΩΣ ΣΤΗΝ

ΕΝΟΤΗΤΑ II; ΕΝΟΤΗΤΑ III: ΑΝΑΣΤΡΟΦΗ ΠΛΥΣΗ ΚΑΙ ΕΚΠΛΥΣΗ

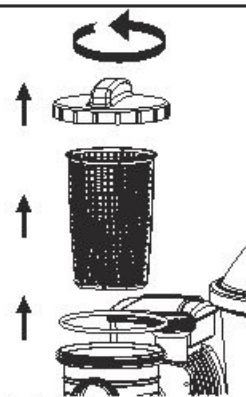


ΣΗΜΕΙΩΣΗ:

1. ΤΟ ΜΑΝΟΜΕΤΡΟ ΕΙΝΑΙ ΜΟΝΟ ΓΙΑ ΣΚΟΠΟΥΣ ΣΥΝΤΗΡΗΣΗΣ, ΚΑΙ Η ΤΙΜΗ ΤΟΥ ΜΑΝΟΜΕΤΡΟΥ ΕΙΝΑΙ ΜΟΝΟ ΓΙΑ ΑΝΑΦΟΡΑ, ΔΕΝ ΠΡΕΠΕΙ ΝΑ ΧΡΗΣΙΜΟΠΟΙΕΙΤΑΙ ΩΣ ΕΝΑ ΟΡΓΑΝΟ ΑΚΡΙΒΕΙΑΣ.
2. ΣΥΝΙΣΤΑΤΑΙ ΝΑ ΚΑΘΑΡΙΖΕΤΕ ΤΗΝ ΚΛΙΝΗ ΑΜΜΟΥ ΜΙΑ ΦΟΡΑ ΤΟ ΜΗΝΑ Η ΛΙΓΟΤΕΡΟ ΤΑΚΤΙΚΑ ΑΝΑΛΟΓΑ ΜΕ ΤΟ ΠΟΣΟ ΣΥΧΝΑ ΧΡΗΣΙΜΟΠΟΙΕΙΤΕ ΤΗΝ ΠΙΣΙΝΑ. ΜΗΝ ΚΑΘΑΡΙΖΕΤΕ ΤΗΝ ΑΜΜΟ ΥΠΕΡΒΟΛΙΚΑ ΣΥΧΝΑ.

ΚΑΘΑΡΙΣΜΟΣ ΤΟΥ ΣΤΡΑΓΓΙΣΤΗΡΙΟΥ

1. ΑΠΟΣΥΝΔΕΣΤΕ ΤΗΝ ΑΝΤΛΙΑ ΦΙΛΤΡΟΥ ΚΑΙ ΘΕΣΤΕ ΤΗ ΒΑΛΒΙΔΑ ΕΛΕΓΧΟΥ ΣΤΗ ΛΕΙΤΟΥΡΓΙΑ "ΚΛΕΙΣΙΜΟ".
2. ΑΝΤΙΚΑΤΑΣΤΗΣΤΕ ΤΙΣ ΣΗΤΕΣ ΥΠΟΛΕΙΜΜΑΤΩΝ ΜΕ ΤΑΠΕΣ ΑΠΟΦΡΑΞΗΣ ΓΙΑ ΝΑ ΕΜΠΟΔΙΣΕΤΕ ΤΗ ΔΙΑΦΥΓΗ ΤΟΥ ΝΕΡΟΥ.
3. ΑΦΑΙΡΕΣΤΕ ΤΟ ΚΑΛΥΜΜΑ ΣΤΡΑΓΓΙΣΤΗΡΙΟΥ ΞΕΒΙΔΩΝΟΝΤΑΣ ΤΟ.
4. ΑΦΑΙΡΕΣΤΕ ΤΟ ΣΤΡΑΓΓΙΣΤΗΡΙ ΚΑΙ ΒΓΑΛΤΕ ΤΥΧΟΝ ΑΠΟΡΡΙΜΑΤΑ.
5. ΞΑΝΑΒΑΛΤΕ ΤΟ ΣΤΡΑΓΓΙΣΤΗΡΙ ΣΤΗ ΘΕΣΗ ΤΟΥ. ΒΕΒΑΙΩΘΕΙΤΕ ΟΤΙ Η ΟΠΗ ΣΤΟ ΣΤΡΑΓΓΙΣΤΗΡΙ ΕΙΝΑΙ ΕΥΘΥΓΡΑΜΜΙΣΜΕΝΗ.
6. ΒΕΒΑΙΩΘΕΙΤΕ ΟΤΙ Ο ΣΤΕΓΑΝΩΤΙΚΟΣ ΔΑΚΤΥΛΙΟΣ ΕΙΝΑΙ ΣΤΗ ΘΕΣΗ ΤΟΥ. ΕΠΑΝΑΒΙΔΩΣΤΕ ΤΟ ΚΑΛΥΜΜΑ ΣΤΡΑΓΓΙΣΤΗΡΙΟΥ.
7. ΑΦΑΙΡΕΣΤΕ ΤΙΣ ΤΑΠΕΣ ΑΠΟΦΡΑΞΗΣ ΚΑΙ ΕΙΣΑΓΕΤΕ ΤΙΣ ΣΗΤΕΣ ΥΠΟΛΕΙΜΜΑΤΩΝ



ΣΗΜΕΙΩΣΗ: ΤΟ ΣΤΡΑΓΓΙΣΤΗΡΙ ΠΡΕΠΕΙ ΝΑ ΑΔΕΙΑΖΕΙ ΚΑΙ ΝΑ ΚΑΘΑΡΙΖΕΤΑΙ ΠΕΡΙΟΔΙΚΑ. ΕΝΑ ΛΕΡΩΜΕΝΟ Ή ΑΠΟΦΡΑΓΜΕΝΟ ΣΤΡΑΓΓΙΣΤΗΡΙ ΘΑ ΕΛΑΤΤΩΣΕΙ ΤΗΝ ΑΠΟΔΟΣΗ ΤΟΥ ΦΙΛΤΡΟΥ ΑΜΜΟΥ.

ΧΑΜΗΛΩΜΑ ΕΠΙΠΕΔΟΥ Η ΠΑΡΟΧΕΤΕΥΣΗ ΤΟΥ ΝΕΡΟΥ ΠΙΣΙΝΑΣ

1. ΑΠΟΣΥΝΔΕΣΤΕ ΤΟ ΦΙΛΤΡΟ ΑΜΜΟΥ ΚΑΙ ΘΕΣΤΕ ΤΗ ΒΑΛΒΙΔΑ ΕΛΕΓΧΟΥ ΣΤΗ ΘΕΣΗ ΠΑΡΟΧΕΤΕΥΣΗΣ.
2. ΑΠΟΣΥΝΔΕΣΤΕ ΤΟ ΣΩΛΗΝΑ ΑΠΟ ΤΗΝ ΕΙΣΟΔΟ Α ΤΗΣ ΠΙΣΙΝΑΣ ΚΑΙ ΤΗΝ ΘΥΡΑ Α ΤΟΥ ΦΙΛΤΡΟΥ ΑΜΜΟΥ ΚΑΙ ΠΡΟΣΑΡΤΗΣΤΕ ΣΤΗΝ ΘΥΡΑ D.
3. ΕΝΕΡΓΟΠΟΙΗΣΤΕ ΤΟ ΦΙΛΤΡΟ ΑΜΜΟΥ ΚΑΙ ΑΦΑΙΡΕΣΤΕ ΤΟ ΝΕΡΟ ΤΗΣ ΠΙΣΙΝΑΣ.

ΠΡΟΣΟΧΗ: ΜΗΝ ΑΔΕΙΑΖΕΤΕ ΕΝΤΕΛΩΣ ΤΟ ΦΙΛΤΡΟ ΑΜΜΟΥ.

ΠΡΟΕΤΟΙΜΑΣΙΑ ΓΙΑ ΤΟ ΧΕΙΜΩΝΑ ΚΑΙ ΜΑΚΡΟΧΡΟΝΙΑ ΑΠΟΘΗΚΕΥΣΗ

ΣΕ ΠΕΡΙΟΧΕΣ ΜΕ ΠΑΓΩΜΕΝΕΣ ΘΕΡΜΟΚΡΑΣΙΕΣ ΤΟ ΧΕΙΜΩΝΑ, Ο ΕΞΟΠΛΙΣΜΟΣ ΠΙΣΙΝΑΣ ΠΡΕΠΕΙ ΝΑ ΑΠΟΘΗΚΕΥΕΤΑΙ ΤΟ ΧΕΙΜΩΝΑ ΓΙΑ ΤΗΝ ΠΡΟΣΤΑΣΙΑ ΑΠΟ ΖΗΜΙΑ. ΑΝ ΑΦΗΣΕΤΕ ΤΟ ΝΕΡΟ ΝΑ ΠΑΓΩΣΕΙ, ΑΥΤΟ ΘΑ ΒΛΑΨΕΙ ΤΟ ΦΙΛΤΡΟ ΑΜΜΟΥ, ΚΑΘΙΣΤΩΝΤΑΣ ΕΤΣΙ ΑΚΥΡΗ ΤΗΝ ΕΓΓΥΗΣΗ.

1. ΩΚΑΝΤΕ ΑΝΑΣΤΡΟΦΗ ΠΛΥΣΗ ΤΟΥ ΦΙΛΤΡΟΥ ΑΜΜΟΥ ΟΠΩΣ ΠΕΡΙΓΡΑΦΤΗΚΕ ΠΡΟΗΓΟΥΜΕΝΩΣ.
2. ΠΑΡΟΧΕΤΕΥΣΤΕ ΤΗΝ ΠΙΣΙΝΑ ΣΥΜΦΩΝΑ ΜΕ ΤΟ ΕΓΧΕΙΡΙΔΙΟ ΙΔΙΟΚΤΗΤΗ ΤΗΣ ΠΙΣΙΝΑΣ.
3. ΑΝΟΙΞΤΕ ΤΟ ΠΑΞΙΜΑΔΙ ΠΑΡΟΧΕΤΕΥΣΗΣ ΣΤΟΝ ΠΥΘΜΕΝΑ ΤΗΣ ΔΕΞΑΜΕΝΗΣ ΚΑΙ ΑΔΕΙΑΣΤΕ ΤΟ ΥΠΟΛΟΙΠΟ ΝΕΡΟ.
4. ΑΠΟΣΥΝΔΕΣΤΕ ΤΟΥΣ ΔΥΟ ΣΩΛΗΝΕΣ ΑΠΟ ΤΗΝ ΠΙΣΙΝΑ ΚΑΙ ΤΟ ΦΙΛΤΡΟ ΑΜΜΟΥ.
5. ΧΥΣΤΕ ΕΝΤΕΛΩΣ ΤΗΝ ΑΜΜΟ ΕΞΩ ΑΠΟ ΤΟ ΔΟΧΕΙΟ ΚΑΙ ΣΤΕΓΝΩΣΤΕ ΟΛΑ ΤΑ ΜΕΡΗ.
6. ΜΕΤΑΚΙΝΗΣΤΕ ΤΟ ΦΙΛΤΡΟ ΑΜΜΟΥ ΑΠΟ ΤΗΝ ΠΕΡΙΟΧΗ ΤΗΣ ΠΙΣΙΝΑΣ, ΑΠΟΘΗΚΕΥΣΤΕ ΤΟ ΦΙΛΤΡΟ ΑΜΜΟΥ ΣΕ ΞΗΡΟ ΧΩΡΟ ΜΑΚΡΙΑ ΑΠΟ ΠΑΙΔΙΑ.

ΑΝΤΙΜΕΤΩΠΙΣΗ ΠΡΟΒΛΗΜΑΤΩΝ

ΠΡΟΒΛΗΜΑΤΑ	ΠΙΘΑΝΑ ΑΙΤΙΑ	ΛΥΣΕΙΣ
ΑΜΜΟΣ ΠΕΡΝΑΕΙ ΣΤΗΝ ΠΙΣΙΝΑ	- Η ΑΜΜΟΣ ΕΙΝΑΙ ΠΟΛΥ ΨΙΛΗ - ΜΕΤΑΤΟΠΙΣΤΕ ΤΗΝ ΒΑΛΒΙΔΑ ΕΛΕΓΧΟΥ ΑΠΟ ΤΗ ΛΕΙΤΟΥΡΓΙΑ ΑΝΤΙΣΤΡΟΦΗΣ ΠΛΥΣΗΣ ΠΡΟΣ ΤΗ ΛΕΙΤΟΥΡΓΙΑ ΦΙΛΤΡΟΥ ΧΩΡΙΣ ΝΑ ΣΤΑΜΑΤΗΣΕΤΕ ΤΟ ΦΙΛΤΡΟ ΑΜΜΟΥ - Η ΣΤΑΘΜΗ ΤΗΣ ΑΜΜΟΥ ΕΙΝΑΙ ΠΟΛΥ ΥΨΗΛΗ - Η ΔΙΑΤΑΞΗ ΞΑΦΡΙΣΜΑΤΙΟΣ ΕΧΕΙ ΒΛΑΒΗ	- ΣΥΝΙΣΤΑΤΑΙ ΑΜΜΟΣ ΠΥΡΡΙΤΙΟΥ 0,45ΜΜ ΕΩΣ 0,85ΜΜ ΝΟ . 20 - ΣΤΑΜΑΤΗΣΤΕ ΤΟ ΦΙΛΤΡΟ ΑΜΜΟΥ ΚΑΘΕ ΦΟΡΑ ΠΟΥ ΡΥΘΜΙΖΕΤΕ ΤΗ ΒΑΛΒΙΔΑ ΕΛΕΓΧΟΥ - ΕΛΕΓΞΤΕ ΕΑΝ Η ΣΤΑΘΜΗ ΤΗΣ ΑΜΜΟΥ ΒΡΙΣΚΕΤΑΙ ΑΝΑΜΕΣΑ ΣΤΙΣ ΕΝΔΕΙΞΕΙΣ "ΜΑΧ" ΚΑΙ "ΜΙΝ" ΣΤΗΝ ΠΛΗΜΙΝΗ - ΑΝΤΙΚΑΤΑΣΤΗΣΤΕ ΤΗ ΔΙΑΤΑΞΗ ΞΑΦΡΙΣΜΑΤΟΣ
ΔΕΝ ΥΠΑΡΧΕΙ ΡΟΗ ΝΕΡΟΥ	- ΟΙ ΤΑΠΕΣ ΔΕΝ ΕΧΟΥΝ ΑΠΟΜΑΚΡΥΝΘΕΙ - Η ΒΑΛΒΙΔΑ ΕΛΕΓΧΟΥ ΠΑΡΑΜΕΝΕΙ ΣΤΗ ΘΕΣΗ "ΚΛΕΙΣΤΟ" - Ο ΔΙΗΘΗΤΗΡΑΣ ΕΧΕΙ ΒΟΥΛΩΣΕΙ - ΤΟ ΦΙΛΤΡΟ ΤΗΣ ΑΜΜΟΥ ΕΧΕΙ ΒΛΑΒΗ	- ΑΦΑΙΡΕΣΤΕ ΤΙΣ ΤΑΠΕΣ ΚΑΙ ΕΙΣΑΓΕΤΕ ΤΑ ΚΟΣΚΙΝΑ ΑΚΑΘΑΡΤΩΝ - ΡΥΘΜΙΣΤΕ ΣΕ ΛΕΙΤΟΥΡΓΙΑ ΦΙΛΤΡΟΥ - ΚΑΘΑΡΙΣΤΕ ΤΟ ΔΙΗΘΗΤΗΡΑ - ΚΑΛΕΣΤΕ ΤΟ ΣΕΡΒΙΣ
ΥΠΕΡΒΟΛΙΚΗ ΠΙΕΣΗ ΣΤΟ ΦΙΛΤΡΟ	- ΑΚΑΘΑΡΤΟ ΦΙΛΤΡΟ - ΑΣΒΕΣΤΟΠΟΙΗΜΕΝΟ ΣΤΡΩΜΑ ΑΜΜΟΥ - ΑΝΕΠΑΡΚΗΣ ΑΝΤΙΣΤΡΟΦΗ ΠΛΥΣΗ - ΤΟ ΜΑΝΟΜΕΤΡΟ ΕΧΕΙ ΧΑΛΑΣΕΙ	- ΑΝΤΙΣΤΡΟΦΗ ΠΛΥΣΗ - ΕΠΙΘΕΩΡΗΣΤΕ ΤΗΝ ΑΜΜΟ ΚΑΙ ΑΛΛΑΞΤΕ ΤΗΝ ΕΑΝ ΕΙΝΑΙ ΑΠΑΡΑΙΤΗΤΟ - ΣΥΝΕΧΙΣΤΕ ΤΗΝ ΑΝΤΙΣΤΡΟΦΗ ΠΛΥΣΗ ΜΕΧΡΙ ΤΑ ΑΠΟΝΕΡΑ ΝΑ ΒΓΑΙΝΟΥΝ ΚΑΘΑΡΑ - ΑΝΤΙΚΑΤΑΣΤΗΣΤΕ ΤΟ ΜΑΝΟΜΕΤΡΟ
ΥΠΑΡΧΕΙ ΔΙΑΡΡΟΗ ΤΗΣ ΒΑΛΒΙΔΑΣ ΕΛΕΓΧΟΥ ΣΤΗ ΘΥΡΑ D	- Η ΒΑΛΒΙΔΑ ΕΛΕΓΧΟΥ ΕΙΧΕ ΡΥΘΜΙΣΤΕΙ ΑΝΑΜΕΣΑ ΣΕ ΔΥΟ ΛΕΙΤΟΥΡΓΙΕΣ - Η ΤΣΙΜΟΥΧΑ ΕΧΕΙ ΒΛΑΒΗ	- ΡΥΘΜΙΣΤΕ ΣΕ ΜΙΑ ΛΕΙΤΟΥΡΓΙΑ - ΑΝΤΙΚΑΤΑΣΤΗΣΤΕ ΤΗΝ ΤΣΙΜΟΥΧΑ
ΟΙ ΣΥΝΔΕΣΜΟΙ ΕΧΟΥΝ ΔΙΑΡΡΟΗ	- Η ΡΟΔΕΛΑ ΤΩΝ ΣΥΝΔΕΣΜΩΝ ΔΕΝ ΕΙΝΑΙ ΣΤΗ ΘΕΣΗ ΤΗΣ - Η ΡΟΔΕΛΑ ΤΩΝ ΣΥΝΔΕΣΜΩΝ ΕΧΕΙ ΒΛΑΒΗ - ΧΑΛΑΡΟΙ ΕΥΚΑΜΠΤΟΙ ΣΩΛΗΝΕΣ	- ΤΟΠΟΘΕΤΗΣΤΕ ΕΚ ΝΕΟΥ ΤΗ ΡΟΔΕΛΑ - ΑΝΤΙΚΑΤΑΣΤΗΣΤΕ ΤΗ ΡΟΔΕΛΑ - ΣΦΙΞΤΕ ΤΑ

ΠΕΡΙΟΡΙΣΜΕΝΗ ΕΓΓΥΗΣΗ ΚΑΤΑΣΚΕΥΑΣΤΗ BESTWAY®

ΤΟ ΠΡΟΪΟΝ ΠΟΥ ΑΓΟΡΑΖΑΤΕ ΣΥΝΟΔΕΥΕΤΑΙ ΑΠΟ ΜΙΑ ΠΕΡΙΟΡΙΣΜΕΝΗ ΕΓΓΥΗΣΗ. Η BESTWAY® ΥΠΟΣΤΗΡΙΖΕΙ ΤΗΝ ΕΓΓΥΗΣΗ ΠΟΙΟΤΗΤΑΣ ΜΑΣ ΚΑΙ ΔΙΑΒΕΒΑΙΩΝΕΙ, ΜΕΣΩ ΜΙΑΣ ΕΓΓΥΗΣΗΣ ΑΝΤΙΚΑΤΑΣΤΑΣΗΣ, ΟΤΙ ΤΟ ΠΡΟΪΟΝ ΣΑΣ ΘΑ ΕΙΝΑΙ ΑΠΛΑΜΜΑΡΜΕΝΟ ΑΠΟ ΕΛΑΤΤΩΜΑΤΑ ΤΟΥ ΚΑΤΑΣΚΕΥΑΣΤΗ ΠΟΥ ΥΠΟΡΕΙ ΝΑ ΠΡΟΚΑΛΕΣΟΥΝ ΔΙΑΡΡΟΕΣ. Η ΠΑΡΑΚΑΤΩ ΔΙΑΤΑΞΗ ΙΣΧΥΕΙ ΜΟΝΟ ΕΝΤΟΣ ΤΩΝ ΚΡΑΤΩΝ ΜΕΛΩΝ ΤΗΣ ΕΥΡΩΠΑΪΚΗΣ ΈΝΩΣΗΣ: Ο ΝΟΜΙΚΟΣ ΚΑΝΟΝΙΣΜΟΣ ΤΗΣ ΟΔΗΓΙΑΣ 1999/44/ΕΚ ΔΕΝ ΘΑ ΕΠΗΡΕΑΣΤΕΙ ΑΠΟ ΑΥΤΗΝ ΤΗΝ ΠΕΡΙΟΡΙΣΜΕΝΗ ΕΓΓΥΗΣΗ BESTWAY.

ΠΕΡΙΟΡΙΣΜΕΝΗ ΕΓΓΥΗΣΗ ΙΣΧΥΕΙ: ΕΓΓΥΗΣΗ 1 ΕΤΟΥΣ ΓΙΑ ΤΟ ΦΙΛΤΡΟ ΑΜΜΟΥ ΑΠΟ ΤΗΝ ΗΜΕΡΟΜΗΝΙΑ ΑΓΟΡΑΣ.

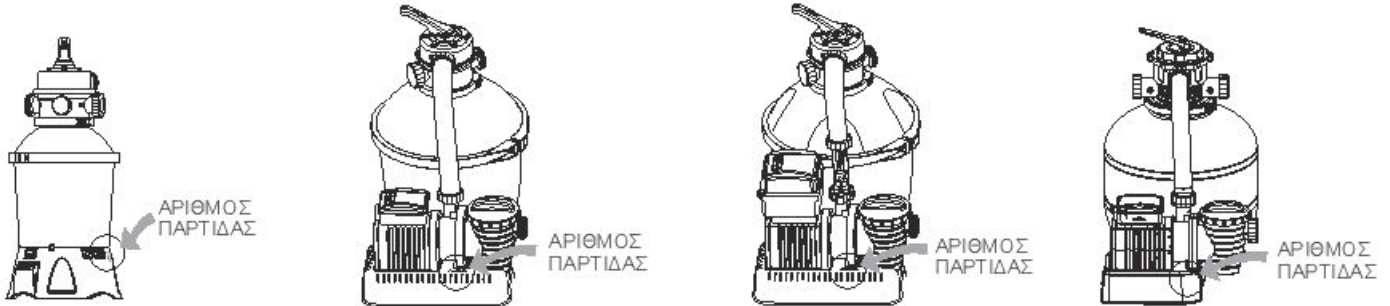
ΓΙΑ ΝΑ ΚΙΝΗΘΕΙ ΜΙΑ ΔΕΙΞΗ ΕΓΓΥΗΣΗΣ, ΠΡΕΠΕΙ ΝΑ ΣΥΜΠΛΗΡΩΘΕΙ ΑΥΤΟ ΤΟ ΕΝΤΥΠΟ ΚΑΙ ΝΑ ΠΡΟΣΚΟΜΙΘΕΙ ΣΥΝΟΔΕΥΟΜΕΝΟ ΑΠΟ ΕΝΑ ΑΝΤΙΓΡΑΦΟ ΤΗΣ ΑΠΟΔΕΙΞΗΣ ΑΓΟΡΑΣ ΣΑΣ ΣΤΟ ΤΟΠΙΚΟ ΚΕΝΤΡΟ ΣΕΡΒΙΣ ΜΕΤΑ ΤΗΝ ΠΩΛΗΣΗ ΤΗΣ BESTWAY. ΠΑΡΑΚΑΛΟΥΜΕ ΕΠΙΚΟΙΝΩΝΗΣΤΕ ΜΕ ΤΟ ΤΟΠΙΚΟ ΚΕΝΤΡΟ ΣΕΡΒΙΣ ΜΕΤΑ ΤΗΝ ΠΩΛΗΣΗ ΤΗΣ BESTWAY ΠΡΙΝ ΑΠΟ ΤΗΝ ΑΠΟΣΤΟΛΗ ΟΠΟΙΟΥΝΔΗΠΟΤΕ ΕΓΓΡΑΦΩΝ, ΘΑ ΣΑΣ ΠΑΡΑΣΧΕΘΟΥΝ ΠΛΗΡΕΣ ΟΔΗΓΙΕΣ ΓΙΑ ΤΟ ΤΙ ΧΡΕΙΑΖΕΤΑΙ ΓΙΑ ΤΗΝ ΑΞΙΩΣΗ ΣΑΣ. Η BESTWAY® ΔΕΝ ΘΑ ΑΝΤΙΚΑΤΑΣΤΗΣΕΙ ΟΠΟΙΟΥΝΔΗΠΟΤΕ ΠΡΟΪΟΝΤΑ ΘΕΩΡΟΥΝΤΑΙ ΟΤΙ ΕΧΟΥΝ ΠΑΡΑΜΕΛΗΘΕΙ Η ΕΧΟΥΝ ΧΡΗΣΙΜΟΠΟΙΗΘΕΙ ΕΚΤΟΣ ΤΩΝ ΚΑΤΕΥΘΥΝΤΗΡΙΩΝ ΟΔΗΓΙΩΝ ΣΤΟ ΕΓΧΕΙΡΙΔΙΟ ΙΔΙΟΚΤΗΤΗ.

Η ΕΓΓΥΗΣΗ ΤΗΣ BESTWAY ΚΑΛΥΠΤΕΙ ΕΛΑΤΤΩΜΑΤΑ ΚΑΤΑΣΚΕΥΗΣ ΠΟΥ ΥΑΝΑΚΑΛΥΦΘΗΚΑΝ ΚΑΤΑ ΤΗΝ ΑΠΟΣΥΣΚΕΥΑΣΙΑ ΤΟΥ ΠΡΟΪΟΝΤΟΣ Η ΚΑΤΑ ΤΗ ΧΡΗΣΗ, ΟΠΩΣ ΣΥΝΙΣΤΑΤΑΙ ΣΤΟ ΕΓΧΕΙΡΙΔΙΟ ΧΡΗΣΗΣ. Η ΠΑΡΟΥΣΑ ΕΓΓΥΗΣΗ ΙΣΧΥΕΙ ΜΟΝΟ ΓΙΑ ΠΡΟΪΟΝΤΑ ΤΑ ΟΠΟΙΑ ΔΕΝ ΕΧΟΥΝ ΤΡΟΠΟΠΟΙΗΘΕΙ ΑΠΟ ΟΠΟΙΟΥΝΔΗΠΟΤΕ ΤΡΙΤΟ. ΤΟ ΠΡΟΪΟΝ ΠΡΕΠΕΙ ΝΑ ΑΠΟΘΗΚΕΥΤΕΙ ΚΑΙ ΝΑ ΥΠΟΣΤΕΙ ΧΕΙΡΙΣΜΟ ΣΥΜΦΩΝΑ ΜΕ ΤΙΣ ΤΕΧΝΙΚΕΣ ΣΥΣΤΑΣΕΙΣ.

Η ΕΓΓΥΗΣΗ ΔΕΝ ΚΑΛΥΠΤΕΙ ΖΗΜΙΕΣ ΠΟΥ ΠΡΟΚΛΗΘΗΚΑΝ ΑΠΟ ΚΑΚΗ ΧΡΗΣΗ, ΚΑΤΑΧΡΗΣΗ, ΑΜΕΛΕΙΑ, ΣΥΜΠΕΡΙΛΑΜΒΑΝΟΜΕΝΩΝ, ΑΛΛΑ ΧΩΡΙΣ ΝΑ ΠΕΡΙΟΡΙΖΟΝΤΑΙ ΣΕ ΣΥΓΚΡΟΥΣΗ, ΦΩΤΙΑ, ΧΡΗΣΗ ΛΑΘΑΣΜΕΝΗΣ ΤΑΞΗΣ, ΣΕ ΥΠΕΡΒΟΛΙΚΗ ΕΚΘΕΣΗ ΣΤΗ ΘΕΡΜΟΤΗΤΑ, ΑΚΑΤΑΛΛΗΛΗ ΕΓΚΑΤΑΣΤΑΣΗ, ΑΚΑΤΑΛΛΗΛΗ ΚΑΛΩΔΙΩΣΗ Η ΔΟΚΙΜΕΣ, ΑΚΑΤΑΛΛΗΛΗ ΑΠΟΘΗΚΕΥΣΗ.

ΟΙ ΑΝΤΙΚΑΤΑΣΤΑΣΕΙΣ ΚΑΙ ΟΙ ΕΠΙΣΚΕΥΕΣ ΔΕΝ ΠΑΡΕΤΙΝΟΥΝ ΤΗ ΔΙΑΡΚΕΙΑ ΤΗΣ ΕΓΓΥΗΣΗΣ. Η ΠΕΡΙΟΡΙΣΜΕΝΗ ΕΓΓΥΗΣΗ ΙΣΧΥΕΙ ΑΠΟ ΤΗΝ ΠΕΡΙΟΔΟ ΠΟΥ ΑΝΑΦΕΡΕΤΑΙ ΠΑΡΑΠΑΝΩ ΚΑΙ Η ΗΜΕΡΟΜΗΝΙΑ Η ΟΠΟΙΑ ΘΑ ΘΕΩΡΗΘΕΙ ΩΣ ΕΝΑΡΞΗ ΤΗΣ ΕΓΓΥΗΣΗΣ ΕΙΝΑΙ ΜΟΝΟ ΕΚΕΙΝΗ ΠΟΥ ΕΜΦΑΝΙΖΕΤΑΙ ΣΤΗΝ ΠΡΩΤΟΤΥΠΗ ΑΠΟΔΕΗ/ΤΙΜΟΛΟΓΙΟ ΑΓΟΡΑΣ.

ΠΑΡΑΚΑΛΟΥΜΕ ΑΝΤΙΓΡΑΨΤΕ ΤΟΝ ΑΡΙΘΜΟ ΤΗΣ ΠΑΡΤΙΔΑΣ ΠΟΥ ΕΙΝΑΙ ΤΟΠΟΘΕΤΗΜΕΝΟΣ ΣΤΟΝ ΚΟΡΜΟ ΤΟΥ ΦΙΛΤΡΟΥ ΑΜΜΟΥ.



ΑΡΙΘΜΟΣ ΠΑΡΤΙΔΑΣ: _____ ΗΜΕΡΟΜΗΝΙΑ ΑΠΟΔΕΙΞΗΣ ΑΓΟΡΑΣ: _____

ΠΡΟΣ: ΤΜΗΜΑ ΣΕΡΒΙΣ BESTWAY® ΗΜΕΡΟΜΗΝΙΑ: _____ ΚΩΔΙΚΟΣ ΑΡΙΘΜΟΣ ΠΕΛΑΤΗ: _____

ΦΑΞ/Ε-MAIL/ΤΗΛ: ΠΑΡΑΚΑΛΟΥΜΕ ΑΝΑΦΕΡΘΕΙΤΕ ΣΤΗ ΧΩΡΑ ΣΑΣ, ΣΥΜΦΩΝΑ ΜΕ ΤΙΣ ΠΛΗΡΟΦΟΡΙΕΣ ΠΟΥ ΘΑ ΒΡΕΙΤΕ ΣΤΟ ΠΙΣΩ ΕΞΕΦΥΛΛΟ Η ΣΤΗΝ ΙΣΤΟΣΕΛΙΔΑ ΜΑΣ: WWW.BESTWAY-SERVICE.COM

ΠΑΡΑΚΑΛΩ ΠΑΡΑΣΧΕΤΕ ΤΑ ΠΛΗΡΗ ΣΤΟΙΧΕΙΑ ΤΗΣ ΔΙΕΥΘΥΝΣΗΣ ΣΑΣ. ΣΗΜΕΙΩΣΗ: ΕΛΛΗΝΙΚΑ ΣΤΟΙΧΕΙΑ ΔΙΕΥΘΥΝΣΗΣ ΘΑ ΕΧΟΥΝ ΩΣ ΑΠΟΤΕΛΕΣΜΑ ΚΑΘΥΣΤΕΡΗΣΕΙΣ ΣΤΙΣ ΑΠΟΣΤΟΛΕΣ.

Η BESTWAY ΔΙΑΤΗΡΕΙ ΤΟ ΔΙΚΑΙΩΜΑ ΧΡΕΩΣΗΣ ΓΙΑ ΤΗΝ ΕΚ ΝΕΟΥ ΠΑΡΑΔΟΣΗ ΤΩΝ ΜΗ ΠΑΡΑΔΟΘΕΝΤΩΝ ΔΕΜΑΤΩΝ ΛΟΓΟ ΥΠΑΙΤΙΟΤΗΤΑΣ ΤΟΥ ΠΑΡΑΛΗΠΤΗ.

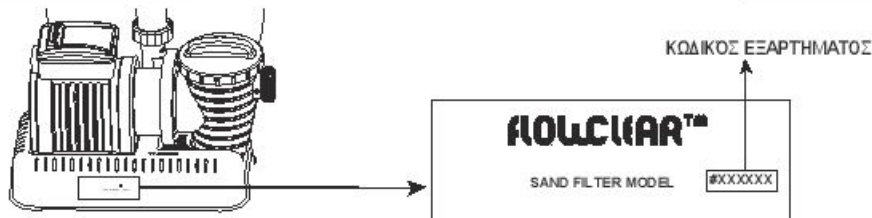
ΑΠΑΙΤΟΥΜΕΝΕΣ ΠΛΗΡΟΦΟΡΙΕΣ -- ΠΑΡΑΚΑΛΟΥΜΕ ΓΡΑΨΤΕ ΤΗ ΔΙΕΥΘΥΝΣΗ ΠΑΡΑΔΟΣΗΣ

ΌΝΟΜΑ: _____ ΔΙΕΥΘΥΝΣΗ: _____ ΤΑΧ. ΚΩΔΙΚΟΣ: _____

ΧΩΡΑ: _____ ΠΟΛΗ: _____ ΚΙΝΗΤΟ: _____

ΤΗΛΕΦΩΝΟ: _____ ΦΑΞ: _____ E-MAIL: _____

ΚΑΤΑΣΤΗΜΑ ΠΩΛΗΣΗΣ: _____ ΠΑΡΑΚΑΛΟΥΜΕ ΓΡΑΨΤΕ ΚΑΘΑΡΑ ΤΟ ΚΩΔΙΚΟ ΕΞΑΡΤΗΜΑΤΟΣ: _____



ΌΛΑ ΤΑ ΣΧΕΔΙΑ ΕΙΝΑΙ ΜΟΝΟ ΓΙΑ ΛΟΓΟΥΣ ΑΠΕΙΚΟΝΙΣΗΣ. ΔΕΝ ΕΙΝΑΙ ΥΠΟ ΚΛΙΜΑΚΑ.

ΠΕΡΙΓΡΑΦΗ ΠΡΟΒΛΗΜΑΤΟΣ

- ΔΙΑΡΡΟΗ ΝΕΡΟΥ
- ΔΙΑΚΟΠΗ ΛΕΙΤΟΥΡΓΙΑΣ
- ΤΟ ΑΝΤΙΚΕΙΜΕΝΟ ΕΙΝΑΙ ΕΛΛΗΠΕΣ, ΠΟΙΟ ΕΞΑΡΤΗΜΑ ΛΕΙΠΕΙ – ΠΑΡΑΚΑΛΩ ΣΥΜΠΛΗΡΩΣΤΕ ΤΟΝ ΚΩΔΙΚΟ ΠΟΥ ΘΑ ΒΡΕΙΤΕ ΣΤΟ ΕΓΧΕΙΡΙΔΙΟ ΟΔΗΓΙΩΝ _____
- ΆΛΛΑ, ΠΑΡΑΚΑΛΟΥΜΕ ΠΕΡΙΓΡΑΨΤΕ _____

ΣΗΜΑΝΤΙΚΟ: ΘΑ ΑΝΤΙΚΑΤΑΣΤΑΘΕΙ ΜΟΝΟ ΤΟ ΚΑΤΕΣΤΡΑΜΜΕΝΟ ΕΞΑΡΤΗΜΑ, ΟΧΙ ΤΟ ΠΛΗΡΕΣ ΣΕΤ Η BESTWAY ΔΙΑΤΗΡΕΙ ΤΟ ΔΙΚΑΙΩΜΑ ΝΑ ΖΗΤΗΣΕΙ ΦΩΤΟΓΡΑΦΙΚΑ ΑΠΟΔΕΙΚΤΙΚΑ ΣΤΟΙΧΕΙΑ ΤΩΝ ΕΛΑΤΤΩΜΑΤΙΚΩΝ ΕΞΑΡΤΗΜΑΤΩΝ, Η ΝΑ ΑΠΑΙΤΗΣΕΙ ΤΗΝ ΑΠΟΣΤΟΛΗ ΤΟΥ ΕΞΑΡΤΗΜΑΤΟΣ ΓΙΑ ΠΡΟΣΘΕΤΕΣ ΔΟΚΙΜΕΣ. ΠΡΟΚΕΙΜΕΝΟΥ ΝΑ ΣΑΣ ΒΟΗΘΗΣΟΥΜΕ ΚΑΛΥΤΕΡΑ, ΖΗΤΑΜΕ ΟΛΕΣ ΟΙ ΠΛΗΡΟΦΟΡΙΕΣ ΠΟΥ ΠΑΡΕΧΕΤΕ ΝΑ ΕΙΝΑΙ ΠΛΗΡΕΙΣ.

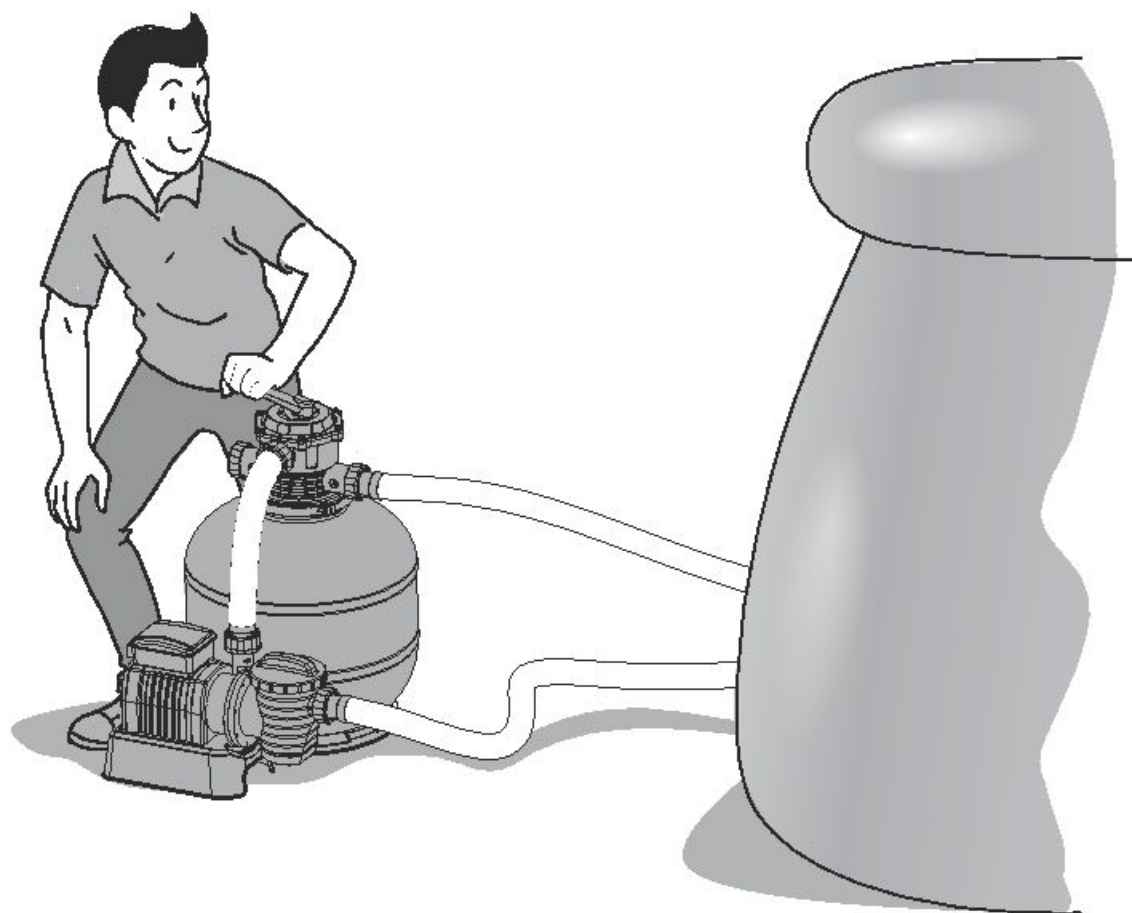
ΓΙΑ ΣΥΧΝΕΣ ΕΡΩΤΗΣΕΙΣ, ΕΓΧΕΙΡΙΔΙΑ, ΒΙΝΤΕΟ Ή ΑΝΤΑΛΛΑΚΤΙΚΑ, ΠΑΡΑΚΑΛΟΥΜΕ ΕΠΙΣΚΕΦΘΕΙΤΕ ΤΗΝ ΙΣΤΟΣΕΛΙΔΑ ΜΑΣ WWW.BESTWAY-SERVICE.COM. ΒΙΝΤΕΟ ΔΙΑΤΙΘΕΝΤΑΙ ΕΠΙΣΗΣ ΣΤΟ ΔΙΚΟ ΜΑΣ ΚΑΝΑΛΙ BESTWAY ΣΤΟ YOUTUBE: HTTP://YOUTUBE.COM/USER/BESTWAYSERVICE.

Bestway

Bestway.

#58366

Hmax 1.5m Hmin 0.19m IPX5



ПЕСЧАНЫЙ ФИЛЬТР

FLOWCLEAR™

РУКОВОДСТВО ПОЛЬЗОВАТЕЛЯ

www.bestway-global.com

www.bestway-service.com



ВНИМАНИЕ**ВАЖНЫЕ ПРАВИЛА ТЕХНИКИ БЕЗОПАСНОСТИ ПРОЧТИТЕ И ВЫПОЛНЯЙТЕ ВСЕ ПРАВИЛА ТЕХНИКИ БЕЗОПАСНОСТИ.**

При установке и использовании данного электрического оборудования, следует всегда выполнять основные правила техники безопасности, среди которых:

- Питание насоса должно осуществляться через изолирующий трансформатор или устройство защитного отключения (УЗО) с номинальным остаточным током срабатывания, не превышающим 30 мА.
- Источник питания на стене здания должен быть расположен на расстоянии более 4 м от бассейна и на высоте минимум 1,2 м.
- Устройство должно быть оснащено заземленным источником питания.
- **РИСК УДАРА ЭЛЕКТРИЧЕСКИМ ТОКОМ** - Запрещается пользоваться насосом, когда люди находятся в бассейне. В случае поломки песчаного фильтра не допускайте людей в бассейн.
- **НЕ ЗАКАПЫВАЙТЕ СЕТЕВОЙ ШНУР В ЗЕМЛЮ.** Располагайте сетевой шнур так, чтобы максимально избежать риска его повреждения газонокосилками, подравнителями изгородей и другими подобными инструментами.
- Для уменьшения риска получения удара электрическим током немедленно заменяйте поврежденный сетевой шнур.
- Если поврежден провод питания, во избежание опасности его необходимо заменить, сделать это могут: производитель, сервис техобслуживания или электрик, имеющий достаточную квалификацию.
- Удлинитель использовать запрещено.
- Опасность удара электрическим током! Использование песчаного фильтра при неправильном напряжении опасно и приводит к его повреждению.
- Не удаляйте заземляющий контакт и не изменяйте штекер любым способом. Не пользуйтесь штекерами-переходниками. Проконсультируйтесь с квалифицированным электриком по любым вопросам, касающимся штекеров и заземления ваших устройств.
- Обращайтесь с песчаным фильтром осторожно. Не тяните или не переносите песчаный фильтр за сетевой шнур. Никогда не выдергивайте штекер из розетки за провод. Оберегайте шнур от потертостей. Острые предметы, масло, движущиеся части и тепло не должны воздействовать на песчаный фильтр.
- Всегда отключайте изделие из розетки перед тем, как убрать, почистить, произвести техобслуживание или отрегулировать изделие.
- Не подсоединяйте и не отсоединяйте устройство от сети питания влажными руками.
- Обязательно отсоединяйте устройство от сети питания:
 - В дождливые дни;
 - Перед чисткой или другим обслуживанием;
 - Если вы оставляете его без присмотра на долгое время (например, уезжая на праздники).
- Если изделие не будет использоваться в течение долгого времени, например, зимой, разберите его и храните в закрытом помещении.
- **Осторожно!** Прочитайте инструкции перед использованием изделия, а также перед каждой установкой и сборкой.
- Храните эту инструкцию в надежном месте. Сверяйтесь с ней каждый раз, разбирая бассейн.
- В случае утери инструкции обратитесь в компанию Bestway или на веб-сайт: www.bestway-service.com
- Электрические подключения должны соответствовать национальным нормам ведения электромонтажных работ. При возникновении любых вопросов обращайтесь к квалифицированному электрику.

ВНИМАНИЕ: Этот песчаный фильтр предназначен для использования только со складными бассейнами. Не используйте его в стационарных бассейнах. Складной бассейн – бассейн, изготовленный таким образом, что его можно быстро разобрать для хранения и снова собрать для использования. Стационарный бассейн – бассейн, построенный в земле или на земле, или же в здании, таким образом, он не может быть быстро разобран для хранения.

- Данное изделие может использоваться детьми в возрасте 8 лет и старше, а также лицами с ограниченными физическими, сенсорными и умственными возможностями либо лицами без соответствующих навыков и опыта, если они находятся под присмотром или проинструктированы на предмет безопасного использования изделия и осознают связанные с этим опасности. Детям запрещается играть с изделием. Чистку и пользовательское обслуживание запрещено выполнять детям без присмотра. (Для рынка ЕС)
- Данное изделие не предназначено для использования лицами (включая детей) с ограниченными физическими, сенсорными и умственными возможностями, а также лицами без соответствующего опыта и знаний, если они не находятся под присмотром или не проинструктированы о порядке пользования изделием лицом, ответственным за их безопасность. Следует наблюдать за детьми, чтобы они не игрались с изделием. (Для рынков вне ЕС)

- Чистку и пользовательское обслуживание должны выполнять взрослые старше 18 лет, осведомленные об опасности поражения электрическим током.

ПРИМЕЧАНИЕ:

- Поместите песчаный фильтр на прочную и ровную поверхность. Убедитесь в том, что песчаный фильтр располагается не ближе 2м от бассейна. Это расстояние должно быть как можно больше.
- Обратите внимание на положение бассейна и песчаного фильтра, должны иметься нормальные условия для вентиляции, слива воды и доступа для техобслуживания. Никогда не размещайте песчаный фильтр там, где может скапливаться вода, или на дорожке вокруг бассейна.
- После установки бассейна должен быть обеспечен доступ к штекеру. Штекер песчаного фильтра должен располагаться не ближе 3,5метров от бассейна.
- Атмосферные условия могут повлиять на работу и срок службы песчаного фильтра; примите надлежащие предосторожности для того, чтобы защитить песчаный фильтр от ненужного износа, который может произойти из-за холодной или жаркой погоды и под воздействием прямых солнечных лучей.
- Перед использованием песчаного фильтра осмотрите его и убедитесь в том, что все детали на месте. Сообщайте фирме Бестуэй (Bestway) по адресу обслуживания клиентов, указанному в этом руководстве, обо всех поврежденных или отсутствующих во время покупки деталях.
- Все изношенные детали должны быть заменены как можно скорее. Используйте только детали, поставляемые производителем.
- Не разрешайте ни детям, ни взрослым опираться или сидеть на изделии.
- Не добавляйте химикаты в песчаный фильтр.
- При использовании для очистки воды в бассейне химикатов рекомендуется использовать минимальное время фильтрации для безопасности купающихся в соответствии с нормативами.
- Установленное изделие следует использовать только для сред, предусмотренных или указанных производителем.
- Необходимо проверить, чтобы всасывающие отверстия не были заблокированы.
- Во время проведения работ по техническому обслуживанию системы фильтрации рекомендуется прекратить фильтрацию.
- Регулярно проверяйте степень засорения фильтра.
- Рекомендуется еженедельно проверять обратную промывку или чистоту воды. Для обеспечения чистой воды в бассейне рекомендуется ежедневно фильтровать воду в течение 8 часов.
- Необходимо как можно скорее заменять любой поврежденный элемент или набор элементов. Используйте только детали, разрешенные к применению лицами, ответственными за реализацию изделия на рынке.
- Все фильтры и фильтрующие материалы следует регулярно проверять для предотвращения образования отложений, препятствующих нормальной фильтрации. Утилизация использованных фильтрующих материалов должна также соответствовать действующим нормам/требованиям законодательства.
- Соблюдайте все требования и рекомендации по технике безопасности, содержащиеся в руководстве. В случае сомнений по вопросам эксплуатации насоса или циркуляционных установок, обратитесь к квалифицированному мастеру или производителю/импортеру/дистрибьютору. Установка циркуляции воды должна соответствовать европейским, национальным и местным нормам и правилам, особенно в части электрооборудования. Любые изменения положения клапана, размера насоса, размера сетки могут привести к изменению расхода воды, а также скорости всасывания.
- Это изделие не предназначено для коммерческого применения.

Внимательно изучите инструкции и сохраните их для дальнейшего использования в справочных целях.

СОХРАНИТЕ ЭТИ ИНСТРУКЦИИ

УТИЛИЗАЦИЯ

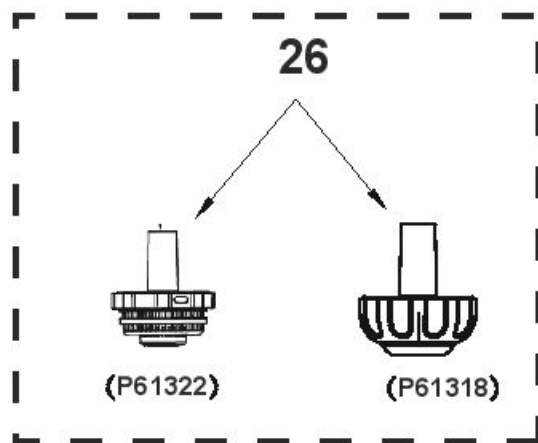
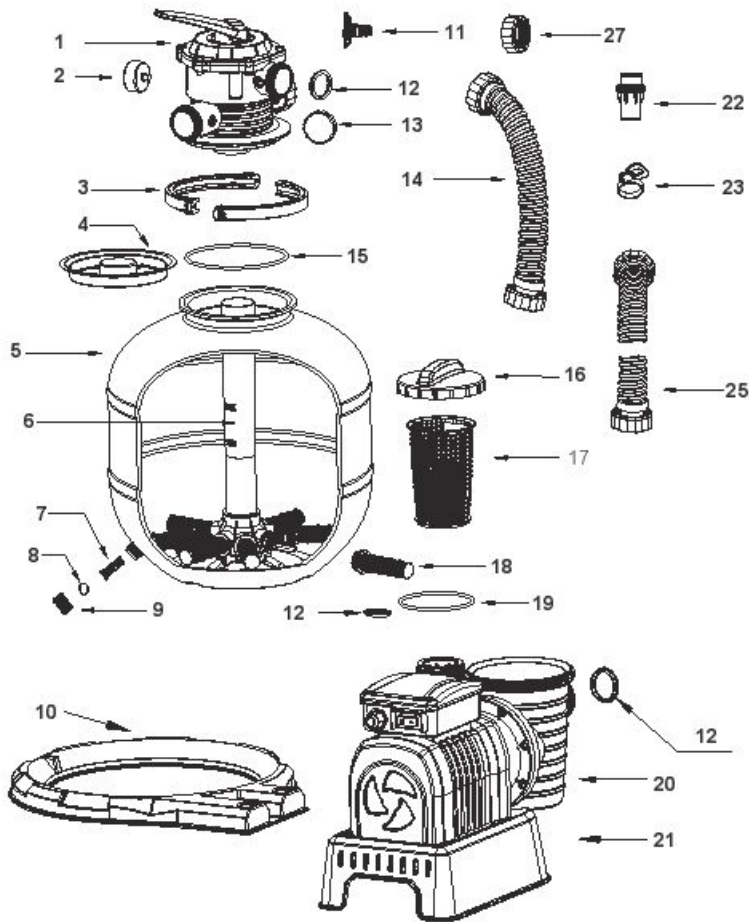
 **Что означает перечеркнутый мусорный контейнер:**
Не выбрасывайте электроприборы вместе с другим нерассортированным бытовым мусором, используйте для этого отдельные специальные контейнеры или способы сбора. Информацию, касающуюся возможностей сбора такого мусора, можно получить в местном самоуправлении.

Если электроприборы выбрасываются прямо на свалки или полигоны, опасные вещества могут просочиться в грунтовые воды и попасть в круговорот веществ, участвующих в пищевой цепи, тем самым причинить вред вашему здоровью и благосостоянию.

Продавец по закону обязан бесплатно принять обратно ваш старый электроприбор для утилизации при замене старых электроприборов на новые.

ОБЗОР КОМПЛЕКТА ЧАСТЕЙ

Перед сборкой песчаного фильтра, потратьте несколько минут на то, чтобы изучить все детали.

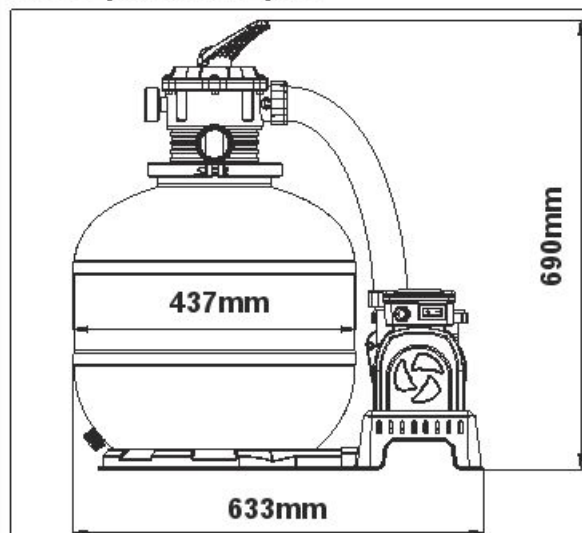


№	ОПИСАНИЕ	КОЛ.	ЗАПЧАСТЬ №
1	Регулирующий клапан	1	P61204
2	Манометр	1	P61138
3	Хомут фланца	2	P61205
4	Крышка втулки	1	P61209
5	Резервуар	1	P61213
6	Втулка	1	P61206
7	Фильтрующий картридж	1	P61211
8	Шайба сливного отверстия	1	P6581
9	Крышка сливного клапана	1	P6580
10	Основа резервуара	1	P61212
11	Переходник для садового шланга	1	P6614
12	Шайба	5	P6029
13	Крышка порта D	1	P6540
14	Трубопровод	1	P6560
15	Уплотнительное кольцо	1	P61214
16	Крышка сетчатого фильтра	1	P6561
17	Сетчатый фильтр	1	P6562
18	Картридж фильтра	8	P61210
19	Уплотнительное кольцо	1	P6563
20	Насос	1	P61207
21	Насос (только для Великобритании)	1	P61207GB
22	Переходник	2	P6916
23	Хомуты шланга	2	P6124
27	Гайка-переходник	1	P6615

Детали по дополнительному заказу

25	Шланг (Ф38mm 3M)	2	P6028
26	Сетка для улавливания мусора	1	P61322
	Сетка для улавливания мусора	1	P61318

СПЕЦИФИКАЦИЯ



Диаметр фильтра:	437mm
Рабочая площадь фильтра:	0.150m ² (1.61ft ²)
Макс. Рабочее давление:	1.58Bar (23PSI)
Рабочее давление песчаного фильтра:	<0.56Bar (8PSI)
Макс. температура воды:	35°C
Песок:	Не входит в комплект поставки
Фракция песка:	Кварцевый песок №20, 0,45-0,85мм
Количество песка:	Приблизительно 35 кг

ОПИСАНИЕ УПРАВЛЯЮЩЕГО КЛАПАНА

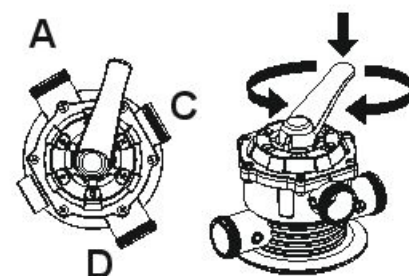
ВНИМАНИЕ: Во избежание повреждения оборудования и получения травмы, отключайте насос песчаного фильтра из розетки каждый раз при переключении режима управляющего клапана. Изменение положения клапана во время работы насоса может испортить управляющий клапан, что может привести к травме или повреждению оборудования.

Как пользоваться управляющим клапаном

Нажмите вниз ручку управляющего клапана и поверните в нужное положение (режим)

РЕЖИМЫ УПРАВЛЯЮЩЕГО КЛАПАНА

Управляющий клапан используется при выборе шести различных режимов работы фильтра: фильтрующего, промывающего, циркуляционного, обратной промывки, закрытого и сливного.

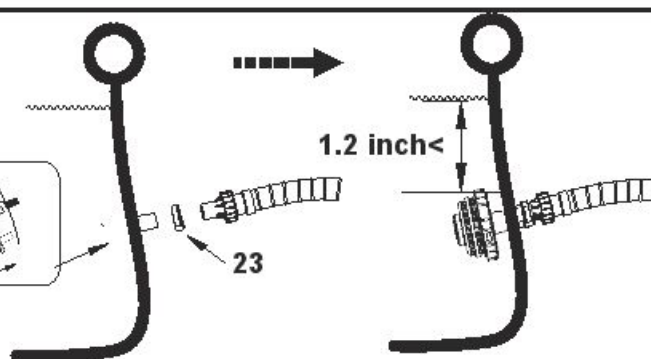
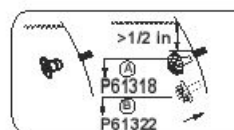


- ▶ **Фильтрующий:** Этот режим используется для фильтрации воды в бассейне и устанавливается в 99% случаев работы фильтра. Вода прокачивается через песчаный фильтр, где она очищается, и возвращается в бассейн.
- ↻ **Циркуляция:** В этом режиме вода из бассейна циркулирует, минуя песчаный фильтр, режим используется, когда фильтр сломан и мусор задерживается на сетках от мусора.
- ⏪ **Обратная промывка:** Этот режим используется для очистки песчаной массы; вода прокачивается через соединительный патрубок, далее снизу вверх через песок и удаляется через патрубок D.
- ⏩ **Слив:** В этом режиме вода сливается из бассейна; при этой настройке вода идет мимо фильтра, вода откачивается и выходит из патрубка C, а не возвращается в бассейн.
- ⚡ **Промывка:** Этот режим применяется при первом пуске, очистке и выравнивании песчаной массы после обратной промывки; вода пропускается вниз через песок, поднимается вверх по соединительному патрубку и выводится через патрубок D.
- ⊗ **Закрытый:** В этом режиме поток воды между фильтром и бассейном перекрыт.

ПРИМЕЧАНИЕ

- Убедитесь в том, что при сбросе воды выполняются все требования местных и государственных правил. Не спускайте воду туда, где она может что-нибудь затопить или повредить.
- Когда управляющий клапан выставлен в режимы промывки, обратной промывки или слива, вода выходит через патрубок D.
- Не включайте песчаный фильтр при этом положении управляющего клапана, чтобы не повредить его.
- Не выставляйте управляющий клапан в промежуточное положение, это приведет к протеканию воды.
- Чтобы не было утечки воды, навинтите крышку патрубка D на патрубок D управляющего клапана перед использованием песчаного фильтра.

ПЕРЕХОДНИК ДЛЯ САДОВОГО ШЛАНГА



Бассейн с клапанами (диам. 3,2 см)

- 1) Подсоедините переходники (22) к шлангу.
- 2) Прикрепите шланги к портам бассейна с соответствующими буквенными обозначениями.
- 3) Прикрепите шланги к песочному фильтру, вставив шланговый фитинг в порт насоса. Завинтите нарезные удерживающие кольца на место; убедитесь, что совпадают соответствующие буквы на бассейне и песочном фильтре (А к А, В к В).
- 4) Снимите заглушки с впускного и выпускного клапанов бассейна и вставьте сетки для улавливания мусора (26).
- 5) Когда шланги и сетки для улавливания мусора (26) будут установлены, затяните хомуты шлангов (23).

ФУНКЦИИ ПЕРЕХОДНИКА ДЛЯ САДОВОГО ШЛАНГА



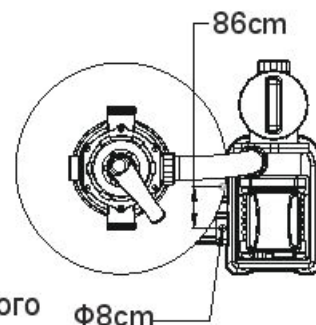
1. Соберите переходник (11) для садового шланга.
2. Навинтите переходник (11) для садового шланга на канал D песочного фильтра.
3. Подсоедините садовый шланг к переходнику (11) для садового шланга.

ПРИМЕЧАНИЕ.

1. Переходник (11) для садового шланга можно использовать только для слива воды и подсоединять только к каналу D песочного фильтра.
2. Перед сборкой переходника (11) для садового шланга обязательно выключайте и отсоединяйте от электропитания песочный фильтр, а также устанавливайте регулирующий клапан в закрытое положение.
3. Перед сборкой переходника (11) для садового шланга убедитесь, что шайба находится в надлежащем положении.

Раздел I: Сборка (Необходимо наличие отвертки под крест).

1. Аккуратно достаньте все детали из упаковки и проверьте все ли цело. Если какие то детали повреждены, немедленно поставьте об этом в известность продавца, у которого была сделана покупка.
2. Песчаный фильтр следует поместить на прочном, ровном основании, лучше всего на бетонном блоке. Расположите песчаный фильтр таким образом, чтобы патрубки и управляющий клапан были легко доступны для работы и обслуживания.
3. Стандарт «EN60335-2-41 TEST» требует вертикальной установки песчаного фильтра на земле или на основании из дерева или бетона перед началом использования во избежание его случайного падения. Вес песчаного фильтра в сборе превышает 18 кг. Отверстия для крепления должны иметь диаметр 8 мм и располагаться на расстоянии 86мм друг от друга. Для крепления песчаного фильтра к основанию используйте два болта с гайками диаметром до 8мм.

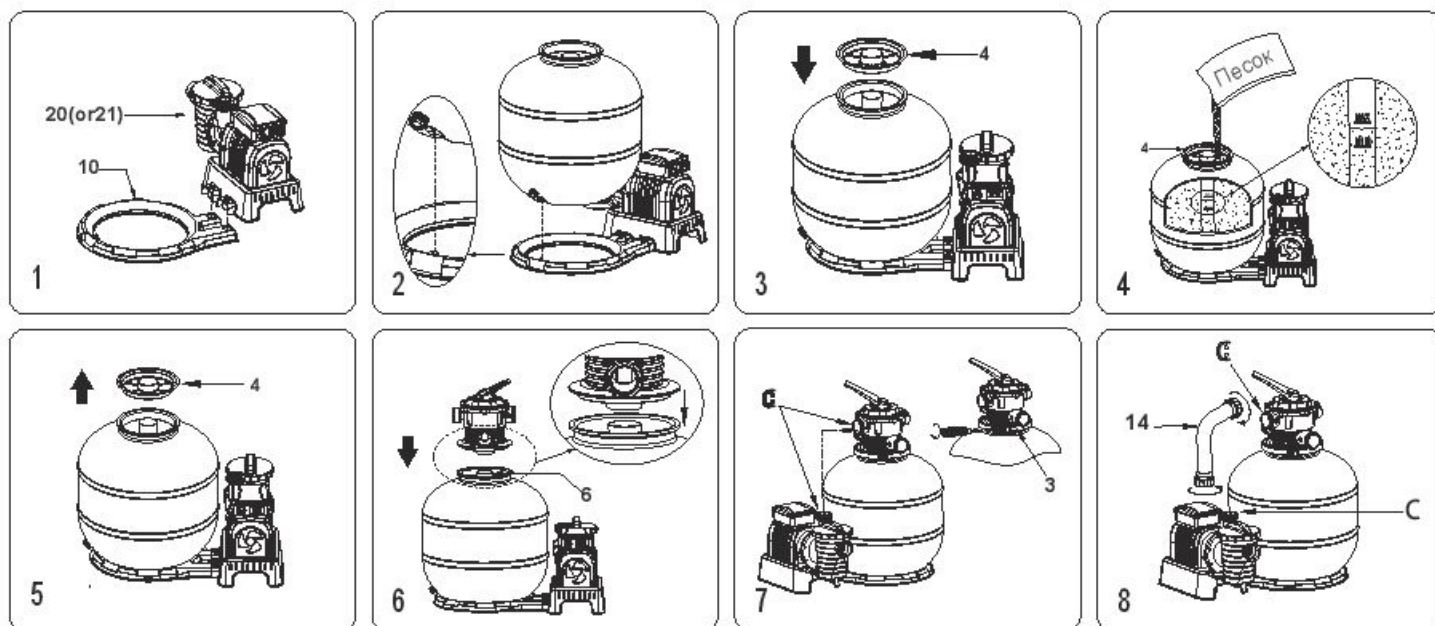


Заполните фильтр песком нужной фракции.

ПРИМЕЧАНИЕ: Используйте песок особого качества для бассейнов, без присутствия извести или глины: кварцевый песок №20, фракции 0,45-0,85мм, одного мешка на 35кг должно хватить. Если вы не будете использовать рекомендованное количество фильтровального песка, фильтрующая способность снизится, а песочный фильтр может выйти из строя, что повлечет за собой аннулирование гарантии.

ПРИМЕЧАНИЕ: Чтобы не повредить скиммер во время добавления песка, налейте немного воды в нижнюю часть корпуса, чтобы скиммер на соединительном патрубке был под водой.

ПРИМЕЧАНИЕ: ПЕСОК В КОМПЛЕКТ НЕ ВХОДИТ.



1. Расположите основу резервуара в выбранном вами месте, совмещая отверстия для позиционирования.
2. Поместите резервуар на основу.
3. Установите крышку фильтра (4).
4. Медленно всыпьте песок так, чтобы его вес не повредил скиммер на втулке, пока количество песка не достигнет промежутка между отметками «МАКС.» и «МИН.». №20 Песок Silica, 0,45-0,85 мм, приблизительно 35 кг.
5. Вытащите крышку фильтра (4).
6. Медленно опустите регулирующий клапан на резервуар и убедитесь, что байпасная трубка, выходящая под регулирующим клапаном, прочно вставляется во втулку (6).
7. Убедитесь, что канал «С» на регулирующем клапане совмещен с каналом «С» на насосе. Установите хомут верхнего фланца(3) и закрутите его на место.
8. Подсоедините трубопровод(14) к каналу «С» насоса и к каналу «С» регулирующего клапана и закрутите резьбовые стопорные кольца на место. Убедитесь в том, что шайбы правильно установлены на обоих концах трубопровода(14).

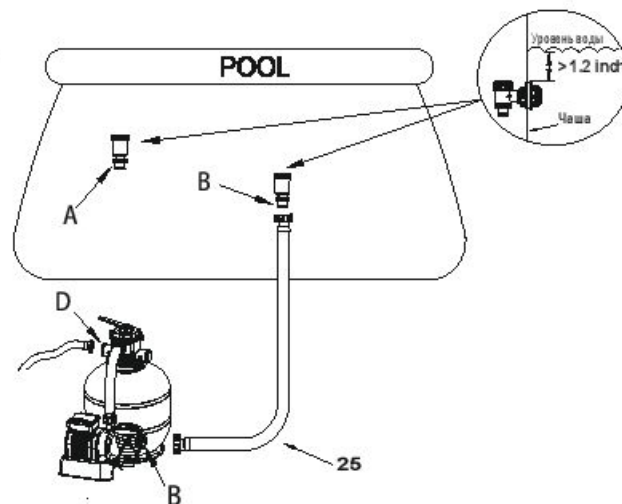
Раздел II: Конфигурация шлангов для промывки и обратной промывки

ПРИМЕЧАНИЕ: Убедитесь в том, что управляющий клапан переключен в закрытое положение. Бассейн должен быть наполнен водой; убедитесь в том, что обе сетки для улавливания полностью погружены в воду.

1. Подсоедините один конец шланга (25) к каналу «В» песочного фильтра; закрутите резьбовое удерживающее кольцо на место.
2. Привинтите другой конец шланга (25) к соединительному клапану канала «В»; закрутите резьбовое удерживающее кольцо на место.
3. Откройте соединительный клапан.

ПРИМЕЧАНИЕ: Указания по подключению соединительного клапана изложены в руководстве пользователя бассейна.

4. Привинтите другой шланг к каналу D и разместите другой конец шланга в месте для слива воды.



Раздел III: Обратная промывка и промывка

Обратная промывка и промывка фильтра должны быть выполнены для промывки песка перед первым включением насоса в работу.

ВНИМАНИЕ: НЕ ВКЛЮЧАЙТЕ ПЕСЧАНЫЙ ФИЛЬТР БЕЗ ВОДЫ

1. Нажмите вниз ручку управляющего клапана и поверните в положение Обратная промывка.
2. Вставьте штепсельную вилку в устройство защитного отключения, затем включите песочный фильтр на 3-5 минут, или пока не пойдет чистая вода.
3. Отключите песочный фильтр из розетки и переключите управляющий клапан в режим промывки.
4. Включите устройство в розетку, и пусть песочный фильтр поработает одну минуту. Вода будет протекать через фильтр, и выходить из патрубка D.
5. Отключите песочный фильтр от сети. Переключите управляющий клапан в закрытое положение.
6. Наполните бассейн.

ВАЖНО! Во время этой процедуры из бассейна удаляется вода, которую надо восполнять. Немедленно отключайте песочный фильтр, если вода достигнет уровня входного и выходного отверстий бассейна.

НЕ ВКЛЮЧАЙТЕ ПЕСЧАНЫЙ ФИЛЬТР БЕЗ ВОДЫ.

Раздел IV: Окончательная установка песчаного фильтра

Подключите второй шланг

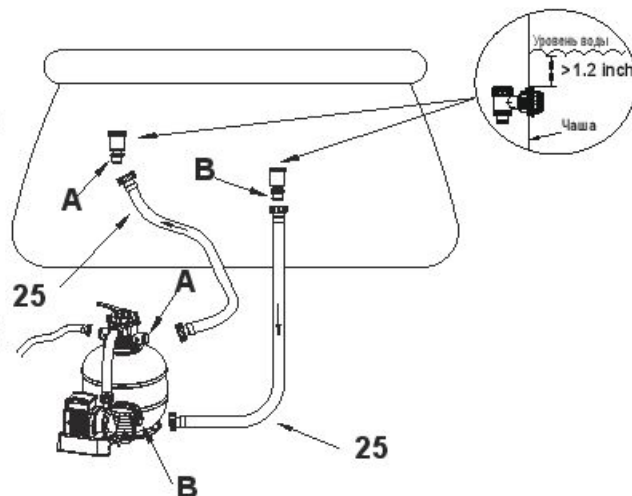
ПРИМЕЧАНИЕ: Необходимо убедиться, что гидравлические соединения не забиты.

ПРИМЕЧАНИЕ: Убедитесь в том, что управляющий клапан переключен в закрытое положение.

Сборка

1. Отсоедините шланг(25) от патрубка D.
2. Подключите шланг(25) к патрубку A управляющего клапана; завинтите резьбовое уплотнительное кольцо до упора.
3. Подключите другой конец шланга(25) к входному отверстию A бассейна.
4. Откройте соединительный клапан.

ПРИМЕЧАНИЕ: Указания по подключению соединительного клапана изложены в руководстве пользователя бассейна.



Раздел V: Работа песчаного фильтра

1. Песочный фильтр готов к работе. Переключите управляющий клапан в фильтрующее положение.

ПРИМЕЧАНИЕ: Для предотвращения риска электрического удара, вытирайте насухо песочный фильтр.

ВАЖНО: Перед выполнением этого действия убедитесь в том, что резервуар устойчиво расположен на базе и правильно соединен с насосом.

2. Работа песчаного фильтра.

ПРИМЕЧАНИЕ: Песочный фильтр начал работу в фильтрующем режиме.

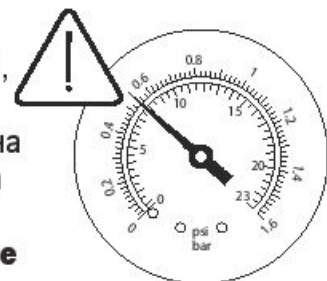
Проверьте, возвращается ли вода в бассейн, и заметьте давление фильтра на манометре. Обычно рекомендуемое давление песчаного фильтра при работе меньше 0.56Бар (8.0PSI).



Обслуживание песчаного фильтра

ВНИМАНИЕ: Перед началом техобслуживания убедитесь в том, чтобы песочный фильтр был выключен и отключен от сети (штепелер вытасчен из розетки), иначе вы подвергаете себя серьезной опасности.

По мере того, как в песчаном фильтре скапливается грязь, показание давления на манометре растет. Если давление на манометре выше 0.56Бар (8.0PSI) или вода слабо протекает в бассейн, наступило время промыть песок. Чтобы промыть песчаную подушку выполните указания, перечисленные в **разделе II; разделе III: Обратная промывка и промывка**

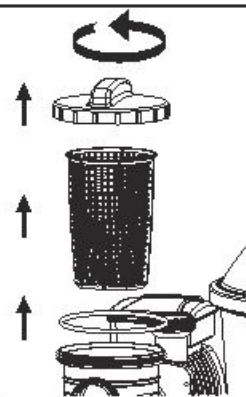


ПРИМЕЧАНИЕ:

1. Манометр предназначен только для целей технического обслуживания, а его показания служат только для справочных целей; его нельзя использовать как точный измерительный прибор.
2. Мы рекомендуем промывать песчаный слой раз в месяц или реже, в зависимости от частоты использования бассейна. Не промывайте песок слишком часто.

Очистка защитного фильтра

1. Отключите песчаный фильтр из розетки и переключите управляющий клапан в режим «Закрыто».
2. Замените сетки для улавливания засорений заглушками, чтобы исключить утечку воды.
3. Снимите крышку фильтра, отвинтив ее.
4. Выньте защитный фильтр, очистите его от мусора.
5. Установите защитный фильтр на место. Проверьте правильность совмещения отверстия в защитном фильтре.
6. Проверьте, на месте ли уплотнительное кольцо. Снова завинтите крышку фильтра.
7. Снимите заглушки и установите сетки для улавливания засорений.



ПРИМЕЧАНИЕ: Защитный фильтр надо регулярно чистить. Грязный или забившийся защитный фильтр ухудшает работу песчаного фильтра.

Понижение уровня воды в бассейне, слив

1. Отключите песчаный фильтр из розетки и переключите управляющий клапан в режим слива.
2. Отключите шланг от входного отверстия А бассейна и патрубка А песчаного фильтра и подключите к патрубку D.
3. Включите песочный фильтр, чтобы удалить воду из бассейна.

ПРЕДУПРЕЖДЕНИЕ: НЕ ВКЛЮЧАЙТЕ ПЕСЧАНЫЙ ФИЛЬТР БЕЗ ВОДЫ

Подготовка к зиме и длительное хранение

В местах, где зимой температура обычно ниже температуры замерзания воды, оборудование бассейна надо готовить к зиме, чтобы избежать его повреждения. Если дать воде замерзнуть, она может повредить песчаный фильтр, что в свою очередь отменит действие гарантии.

1. Для этого надо: Сделать обратную промывку фильтра, как описано ранее.
2. Слейте воду из бассейна согласно инструкции пользователя бассейна.
3. Откройте сливную пробку в нижней части корпуса и слейте остатки воды.
4. Отсоедините оба шланга от бассейна и песчаного фильтра.
5. Полностью высыпьте песок из ёмкости и высушите все детали.
6. Уберите песочный фильтр из зоны бассейна, храните песочный фильтр в сухом закрытом помещении в месте, недоступном для детей.

УСТРАНЕНИЕ НЕИСПРАВНОСТЕЙ

Неисправности	Возможные причины	Способ устранения
В бассейн поступает песок	<ul style="list-style-type: none">– Песок слишком мелкий– Перемещение регулирующего клапана из положения функции обратной промывки в положение функции фильтрации без остановки работы песчаного фильтра– Уровень песка слишком высокий– Поломка скиммера	<ul style="list-style-type: none">– Рекомендуется кварцевый песок № 20 размером от 0,45 мм до 0,85 мм– Остановите работу песчаного фильтра при каждой настройке регулирующего клапана– Проверьте, находится ли уровень песка между отметками MAX и MIN на коллекторной втулке.– Замените скиммер
Отсутствует поток воды	<ul style="list-style-type: none">– Не были вынуты стопорные заглушки– Регулирующий клапан установлен в закрытое положение– Сетчатый фильтр засорен– Поломка песчаного фильтра	<ul style="list-style-type: none">– Снимите стопорные заглушки и вставьте сетки для улавливания засорений– Установите клапан в положение функции фильтра– Очистите сетчатый фильтр– Обратитесь в сервисную службу
Чрезмерное давление на фильтре	<ul style="list-style-type: none">– Фильтр загрязнен– Известкование песчаного загрузочного слоя– Недостаточная обратная промывка– Поломка манометра	<ul style="list-style-type: none">– Выполните обратную промывку– Осмотрите песок и при необходимости замените– Выполните обратную промывку, пока не начнет вытекать чистая вода– Замените манометр.
Регулирующий клапан протекает из канала D	<ul style="list-style-type: none">– Регулирующий клапан установлен в положение между двумя функциями– Разорвана прокладка	<ul style="list-style-type: none">– Установите клапан в положение одной из функций– Замените прокладку
Течь через соединители	<ul style="list-style-type: none">– Шайба соединителей не на месте– Шайба соединителей повреждена– Ослаблены крепления шлангов	<ul style="list-style-type: none">– Установите шайбу на место– Замените шайбу– Затяните соединения

Ограниченная гарантия производителя от компании BESTWAY®

На приобретенное вами изделие распространяется ограниченная гарантия. Компания Bestway® гарантирует качество изделия и отсутствие дефектов изготовления, вызывающих утечки; в противном случае компания обязуется его заменить.

Следующие указания действительны только для стран-членов Европейского союза: Ограниченная гарантия BESTWAY не отменяет и не ограничивает действие положений директивы 1999/44/ЕС.

Ограниченная гарантия действительна: 1 год гарантии на песочный фильтр, начиная с даты покупки.

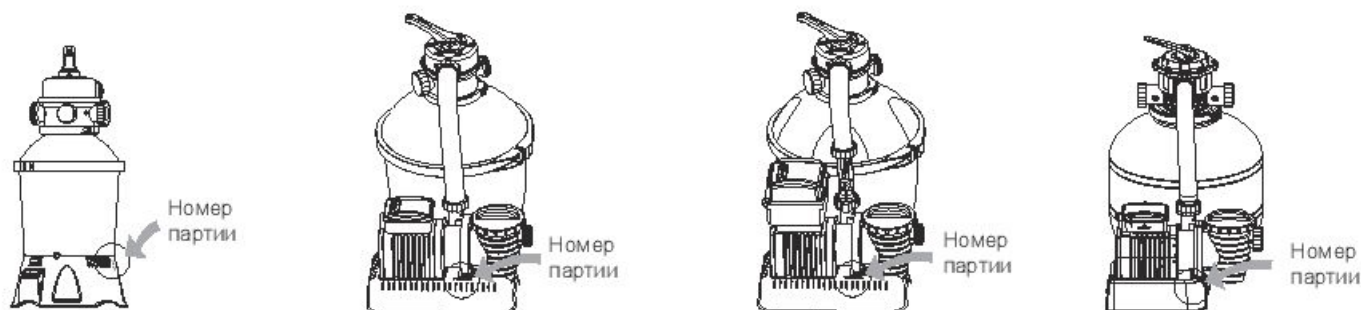
Для подачи гарантийной рекламации следует заполнить данную форму и, приложив к ней копию вашего товарного чека, направить в центр послепродажного обслуживания компании Bestway (Bestway Aftersales Centre). До отправки документов просим обратиться в местный центр послепродажного обслуживания Bestway – вы получите полные инструкции о том, что необходимо для рекламации. Компания Bestway® не выполняет замену изделий, дефекты которых вызваны небрежным обращением или несоблюдением рекомендаций, содержащихся в руководстве пользователя.

Гарантия Bestway распространяется на дефекты производства, обнаруженные при распаковке изделия или во время эксплуатации в соответствии с рекомендациями, содержащимися в руководстве пользователя; данная гарантия распространяется только на изделия, которые не были изменены третьими сторонами. Изделие следует хранить и эксплуатировать в соответствии с техническими рекомендациями.

Гарантия не покрывает ущерб, причиненный в результате неправильного и небрежного использования, включая (но не ограничиваясь) пожар, применение неправильного напряжения, чрезмерный перегрев, неправильную установку, неправильный монтаж проводки или испытания, а также неправильное хранение.

Замены и ремонты не продлевают срок действия гарантии. Ограниченная гарантия действительна в срок, указанный выше; единственная дата, считающаяся датой вступления гарантии в силу, указана на оригинале товарного чека/счета-фактуры.

Скопируйте номер партии, указанный на корпусе песочного фильтра.



Номер партии: _____ Дата товарного чека: _____

КОМУ: ОТДЕЛ ОБСЛУЖИВАНИЯ КОМПАНИИ BESTWAY® ДАТА _____ Номер кода клиента _____

ФАКС/ЭЛЕКТРОННАЯ ПОЧТА/ТЕЛЕФОН: используйте сведения для вашей страны, указанные на последней странице обложки или на нашем веб-сайте: www.bestway-service.com

Укажите ваш адрес полностью. Примечание: неполный адрес может стать причиной задержки доставки.

Компания Bestway оставляет за собой право выставить счет за повторную пересылку посылок при неправильном указании отправителем адреса получателя.

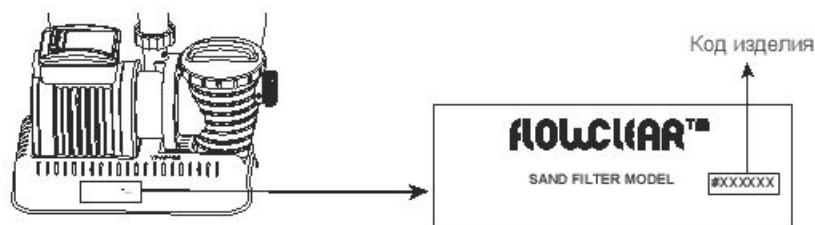
НЕОБХОДИМАЯ ИНФОРМАЦИЯ – ВПИШИТЕ АДРЕС ДОСТАВКИ

ФИО: _____ Адрес: _____ Индекс: _____

Страна: _____ Город: _____ Мобильный телефон: _____

Телефон: _____ Факс: _____ ЭЛ. ПОЧТА: _____

Продавец: _____ Разборчиво напишите код вашего изделия: _____



Все схемы выполняют исключительно иллюстративную функцию. Схемы не отображают действительный масштаб.

Описание проблемы

- Утечка воды
- Устройство перестало работать
- Некомплектность изделия, какая деталь отсутствует – укажите код, содержащийся в руководстве по эксплуатации _____
- Другое, просим описать _____

ВАЖНО! БУДЕТ ВЫПОЛНЕНА ЗАМЕНА ТОЛЬКО ПОВРЕЖДЕННОГО КОМПОНЕНТА, А НЕ ВСЕГО КОМПЛЕКТА.

Компания Bestway оставляет за собой право запросить фотографические свидетельства дефектных компонентов либо потребовать выслать компонент для дополнительного тестирования.

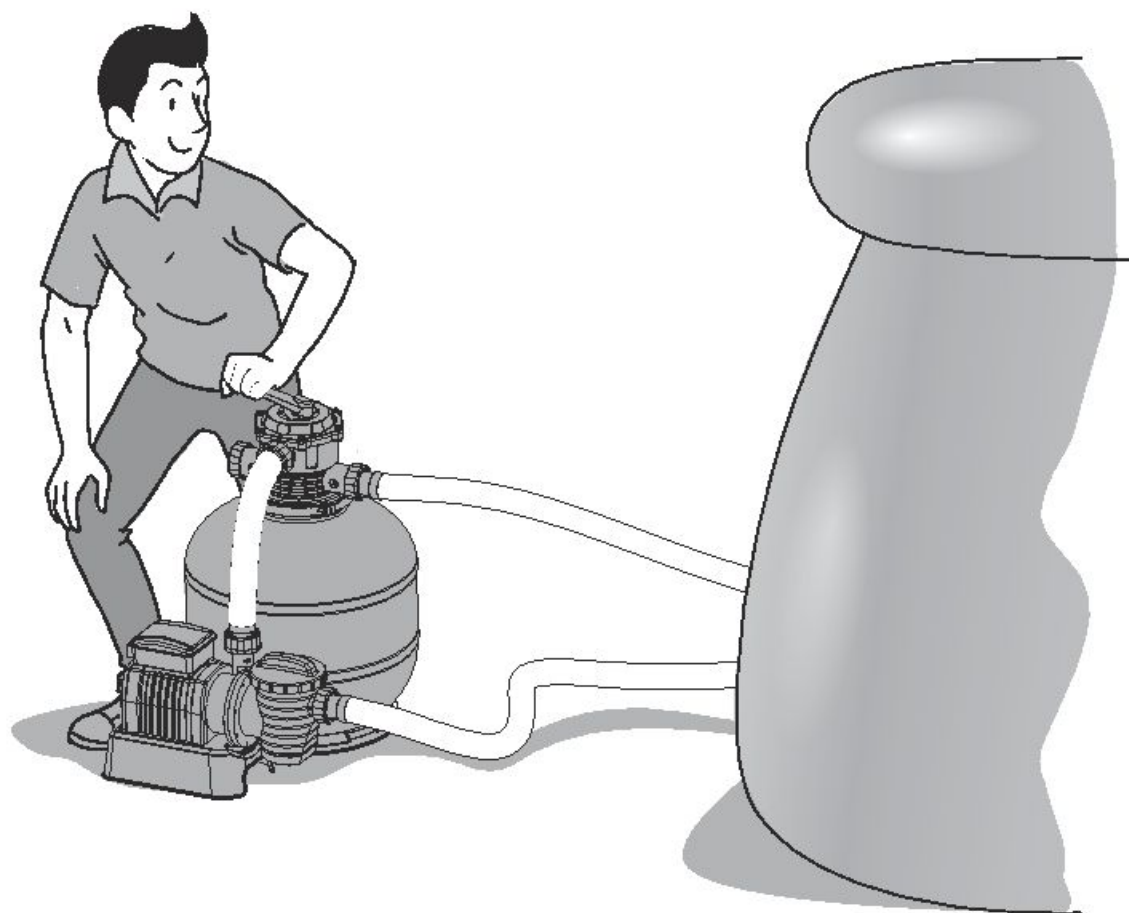
В целях оказания вам максимальной помощи просим предоставлять полную информацию.

ПОСЕТИТЕ НАШ ВЕБ-САЙТ WWW.BESTWAY-SERVICE.COM ДЛЯ ПРИОБРЕТЕНИЯ ЗАПАСНЫХ ЧАСТЕЙ, ЗАГРУЗКИ ИНСТРУКЦИЙ, ПРОСМОТРА ЧАСТО ЗАДАВАЕМЫХ ВОПРОСОВ И ВИДЕО, ДОСТУПНЫХ ТАКЖЕ НА НАШЕМ КАНАЛЕ BESTWAY НА YOUTUBE.

Bestway.

#58366

Hmax 1.5m Hmin 0.19m IPX5



FILTR PIASKOWY FLOWCLEAR™ INSTRUKCJA OBSŁUGI

www.bestway-global.com
www.bestway-service.com



OSTRZEŻENIE

WAŻNE INSTRUKCJE DOTYCZĄCE BEZPIECZEŃSTWA PRZECZYTAJ I ZASTOSUJ SIĘ DO WSZYSTKICH INSTRUKCJI BEZPIECZEŃSTWA.

Przy instalacji i korzystaniu z tego urządzenia elektrycznego należy zawsze przestrzegać podstawowych procedur bezpieczeństwa, łącznie z:

- Pompa powinna być zasilana poprzez izolowany transformator lub urządzenie prądu szczytkowego (RCD), gdzie znamionowy prąd roboczy nie przekracza 30 mA.
- Naścienne źródło zasilania powinno znajdować się w odległości większej niż 4 m od basenu i na wysokości co najmniej 1,2 metra.
- Urządzenie musi być zasilane przez uziemione źródło zasilania.
- **RYZIKO PORAŻENIA PRĄDEM** - Nie należy używać pompy jeśli w basenie znajdują się osoby. Po uszkodzeniu filtra do piasku nie należy korzystać z basenu.
- **NIE ZAKOPYWAĆ PRZEWODU ZASILAJĄCEGO.** Umieść przewód tak, by zminimalizować zagrożenie ze strony kosiarek, przycinarek żywopłotów i podobnych urządzeń.
- Aby wyeliminować ryzyko porażenia prądem natychmiast wymień uszkodzony przewód.
- Jeżeli uszkodzony jest przewód zasilający, musi on zostać wymieniony przez producenta, przedstawiciela serwisowego lub inną osobę posiadającą podobne uprawnienia, by uniknąć zagrożeń.
- Nie wolno korzystać z przedłużaczy.
- Ryzyko porażenia prądem elektrycznym. Podłączanie filtra piaskowego do nieodpowiedniego zasilania jest niebezpieczne i spowoduje jego uszkodzenie.
- Nie wolno usuwać styku uziemienia lub modyfikować wtyczki w jakikolwiek sposób. Nie wolno stosować adapterów wtyczek. Skonsultuj się z elektrykiem w sprawie pytań dotyczących uziemienia lub wtyczek.
- Filtr piaskowy należy przenosić z zachowaniem ostrożności. Nie wolno ciągnąć go lub nosić trzymając za przewód zasilania. Nigdy nie wolno wyciągać wtyczki z gniazdka ciągnąc za przewód. Nie dopuszczać do przetarć przewodu zasilania. Filtr piaskowy należy trzymać z dala od elementów ostrych, oleju, ruchomych części oraz od gorąca.
- Zawsze przed przystąpieniem do demontowania, czyszczenia, serwisowania lub wykonywania jakichkolwiek regulacji należy odłączyć urządzenie od zasilania elektrycznego.
- Nie podłączać lub odłączać urządzenia z gniazdka mokrymi rękami.
- Należy zawsze odłączyć urządzenie od zasilania:
 - W deszczowe dni
 - Przed czyszczeniem lub innymi zabiegami konserwacyjnymi
 - Jeśli pozostawiony bez nadzoru na okres wakacyjny
- W dłuższych okresach w których produkt nie jest używany, na przykład w zimie, zestaw basenowy powinien być demontowany i przechowywany wewnątrz.
- **Uwaga:** przed użyciem tego urządzenia zapoznaj się z instrukcją i montuj/składaj produkt na nowo przed każdym użyciem.
- Instrukcje przechowywać w bezpiecznym miejscu. Za każdym razem przy ponownym rozkładaniu basenu, zaleca się odnosić do instrukcji obsługi.
- W przypadku utraty niniejszego podręcznika, należy skontaktować się z firmą Bestway lub wyszukać go na naszej stronie internetowej: www.bestway-service.com
- Instalacje elektryczne powinny być przeprowadzane w zgodzie z krajowymi przepisami układania przewodów. Jeśli masz jakieś pytania, zwróć się do wykwalifikowanego elektryka.
- **UWAGA:** Filtr piaskowy jest przeznaczony tylko do składanych basenów. Nie wolno używać jej do basenów stałych. Basen składany jest skonstruowany tak, aby można było go rozmontować do przechowywania i następnie złożyć do ponownego użycia. Stały basen jest przeważnie zbudowany na ziemi lub wkopany tak, że nie można go rozmontować do przechowywania.
- Niniejsze urządzenie może być użytkowane przez dzieci od 8 roku życia oraz osoby z ograniczonymi zdolnościami fizycznymi, zmysłowymi lub psychicznymi lub z brakiem doświadczenia i wiedzy, tylko jeśli zapewniony jest im nadzór lub instrukcje dotyczące użytkowania sprzętu w sposób bezpieczny i rozumieją związane z tym zagrożenia. Dzieci nie powinny bawić się urządzeniem. Czyszczenie oraz konserwacja nie może być wykonywana przez dzieci bez nadzoru. (Dla rynku UE)
- Osoby (w tym dzieci) o ograniczonej sprawności fizycznej, sensorycznej i umysłowej oraz osoby nieposiadające dostatecznej wiedzy albo wystarczającego doświadczenia mogą używać tego urządzenia tylko pod opieką lub pod warunkiem, że zostały poinstruowane, przez osobę odpowiedzialną za ich bezpieczeństwo, o bezpiecznym sposobie używania urządzenia. Dzieci powinny być nadzorowane w celu upewnienia się, że nie bawią się tym produktem. (Dla rynku

innego niż UE)

- Czyszczenie i konserwacja muszą być wykonywane przez osobę dorosłą - w wieku powyżej 18 roku życia, która jest świadoma ryzyka porażenia prądem elektrycznym.

UWAGA:

- Ustaw filtr piaskowy na twardym i równym podłożu. Należy zapewnić, aby filtr piaskowy znajdował się, co najmniej 2 metry od brzegu basenu. Trzymaj sprzęt jak najdalej.
- Zwróć uwagę na ustawienie filtra piaskowego i basenu tak, aby była zapewniona właściwa wentylacja, odprowadzenie wody oraz dostęp do prac konserwacyjnych. Nigdy nie wolno ustawiać filtra piaskowego w miejscu gdzie gromadzi się woda lub gdzie przechodzą osoby.
- Po zainstalowaniu zestawu wtyczka musi być dostępna. Wtyczka filtra piaskowego powinna znajdować się w odległości przynajmniej 3,5 metra od basenu.
- Warunki atmosferyczne mogą mieć wpływ na wydajność i okres żywotności pompy; należy przedsięwziąć odpowiednie kroki, aby chronić filtr piaskowy przed niepotrzebnym zużyciem, które może wystąpić podczas okresów zimna, gorąca i lub wystawienia na promienie słoneczne.
- Przed rozpoczęciem użytkowania, sprawdź czy są wszystkie części składowe. Powiadom dział serwisu Bestway, przesyłając zawiadomienie na adres wymieniony w niniejszej instrukcji, gdy po zakupie odkryte zostaną części uszkodzone lub ich brak. Ważne jest, aby jak najszybciej wymienić wszystkie zużyte części. Należy używać wyłącznie części zatwierdzone przez producenta.
- Nie pozwól, aby dzieci lub dorośli opierali się lub siadali na urządzeniu.
- Nie wolno dodawać środków chemicznych do filtra piaskowego.
- Jeśli do czyszczenia wody w basenie stosowane są środki chemiczne, dla zdrowia pływaków zaleca się, przestrzegania minimalnego czasu filtrowania, zależnego od przepisów dotyczących zdrowia.
- Do montażu produktu należy używać wyłącznie narzędzi załączonych lub określonych przez producenta.
- Konieczne jest sprawdzenie, czy otwory zasysające nie są zamknięte.
- Podczas operacji konserwacji przeprowadzanych na systemie filtrującym zaleca się zatrzymanie filtrowania.
- Regularnie sprawdzaj stopień zapchania filtra.
- Zaleca się cotygodniowe kontrolowanie stanu filtra w celu przeprowadzenia ewentualnego płukania zwrotnego lub czyszczenia. W celu zapewnienia czystej wody zaleca się jej codzienne, 8-godzinne filtrowanie.
- Należy wymienić każdy zniszczony element lub zestaw elementów tak szybko jak tylko jest to możliwe. Należy używać wyłącznie części zatwierdzonych przez osobę odpowiedzialną za wprowadzenie produktu na rynek.
- Wszystkie filtry i media filtracyjne powinny być regularnie kontrolowane w celu zapewnienia, że nie nagromadziły się w nich zanieczyszczenia, mogłoby to utrudniać prawidłową filtrację wody. Utylizacja jakichkolwiek zużytych mediów filtrujących powinna odbywać się w sposób zgodny z obowiązującymi regulacjami/przepisami.
- Należy przestrzegać wszystkich wymogów bezpieczeństwa i zaleceń zamieszczonych w instrukcji obsługi. W przypadku jakichkolwiek wątpliwości dotyczących pompy czy jakichkolwiek innych elementów układu obiegu wody, skontaktuj się ze specjalistą lub producentem/ importerem/dystrybutorem. Instalacja obiegu wody powinna być zgodna z Europejskimi oraz krajowymi/lokalnymi przepisami, przede wszystkim jeśli jest ona w kontakcie z elementami elektrycznymi. Każda zmiana położenia zaworów, zmiana rozmiaru pompy czy krat, może spowodować zmianę strumienia przepływu i zwiększenie szybkości ssania.
- Ten produkt nie jest przeznaczony do używania do celów komercyjnych.

Prosimy o dokładne przeczytanie i zachowanie tej instrukcji obsługi do późniejszego wglądu.

ZACHOWAJ TE INSTRUKCJE

UTYLIZACJA



Znaczenie symbolu przekreślonego śmietnika na kółkach:

■ Nie wyrzucaj urządzeń elektrycznych jako niesortowalnego śmieci komunalnych, korzystaj z oddzielnych pojemników przeznaczonych na ich zbieranie.

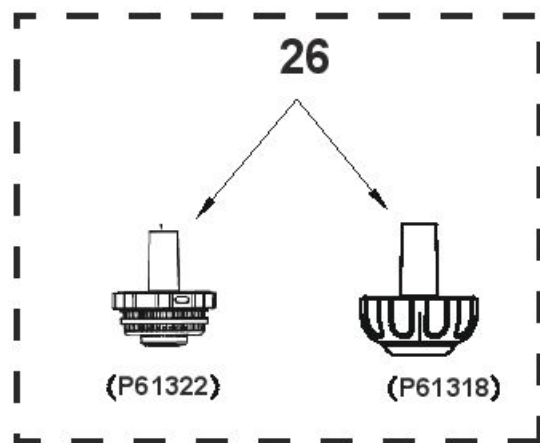
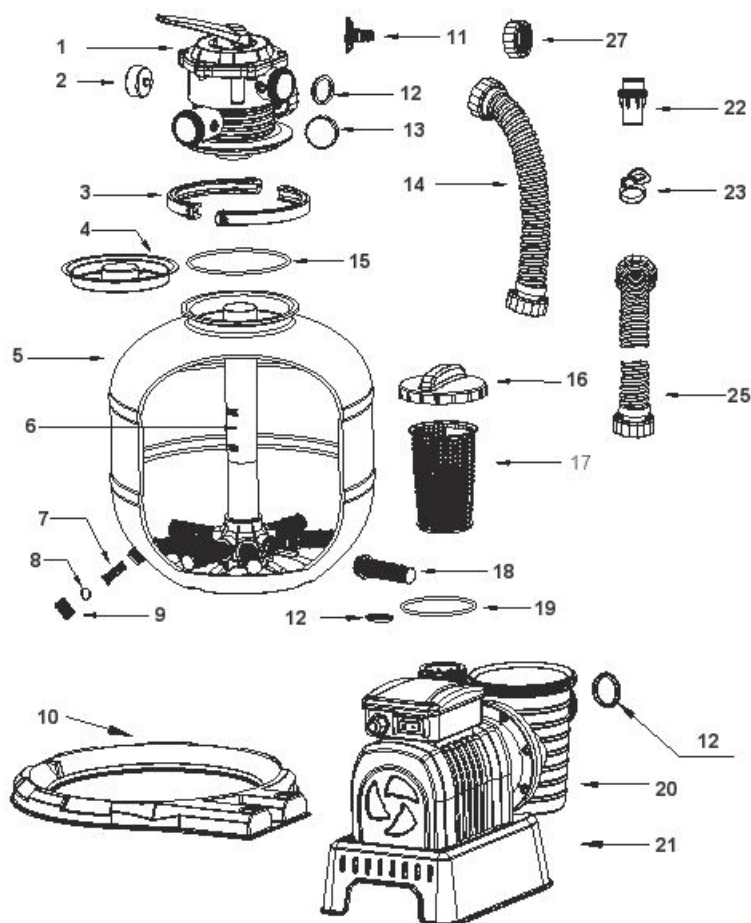
Skontaktuj się z samorządem lokalnym w sprawie uzyskania informacji o dostępności urządzeń do zbierania tych odpadów.

Jeżeli urządzenia elektryczne zbierane są w dołach lub wysypiskach śmieci, niebezpieczne substancje mogą przedostać się do wody gruntowej i w ten sposób dostać się do łańcucha pokarmowego, powodując uszczerbek na zdrowiu lub złe samopoczucie.

W razie wymiany starych urządzeń na nowe, sprzedawca detaliczny jest prawnie zobowiązany do nieodpłatnego przyjęcia waszego zużytego sprzętu do utylizacji.

PRZEGLĄD CZĘŚCI

Przed zmontowaniem filtra piaskowego, poświęć kilka minut na zapoznanie się ze wszystkimi jego częściami.

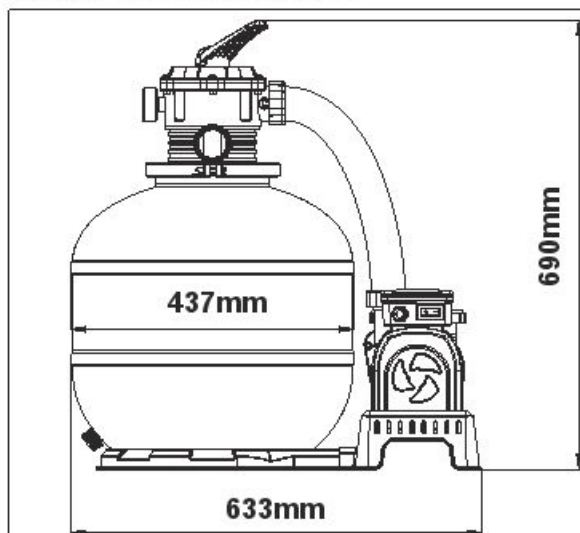


NR REF.	OPIS	ILOŚĆ	NR CZĘŚCI
1	Zawór regulacyjny	1	P61204
2	Ciśnieniomierz	1	P61138
3	Zacisk kołnierzyowy	2	P61205
4	Pokrywa piasty	1	P61209
5	Zbiornik	1	P61213
6	Piasta	1	P61206
7	Wkład na zanieczyszczenia	1	P61211
8	Podkładka odpływu	1	P6581
9	Nakrętka zaworu spustowego	1	P6580
10	Podstawa zbiornika	1	P61212
11	Adapter węża ogrodowego	1	P6614
12	Podkładka	5	P6029
13	Nakrętka portu D	1	P6540
14	Rurociąg	1	P6560
15	O-ring	1	P61214
16	Pokrywa sitka	1	P6561
17	Sitko	1	P6562
18	Wkład filtra	8	P61210
19	Uszczelka	1	P6563
20	Pompa	1	P61207
21	Pompa (wyłącznie dla UK)	1	P61207GB
22	Adapter	2	P6916
23	Zaciski węża	2	P6124
27	Nakrętka adaptera	1	P6615

Części dodatkowe

25	Wąż (Φ38mm 3M)	2	P6028
26	Ekran siatkowy	1	P61322
	Ekran siatkowy	1	P61318

DANE TECHNICZNE



Średnica filtra:	437mm
Efektywna powierzchnia filtra:	0.150m ² (1.61ft ²)
Maksymalne ciśnienie:	1.58Bar (23PSI)
Ciśnienie robocze filtra piaskowego:	<0.56Bar (8PSI)
Maksymalna temperatura wody:	35°C
Piasek:	Nie ma w zestawie
Wielkość piasku:	#20 krzemionka, 0,45-0,85mm
Objętość piasku:	Około 35 kg

ZAWÓR KONTROLNY

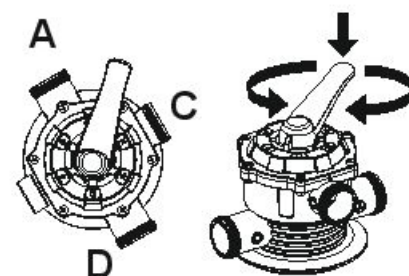
OSTRZEŻENIE: Aby uniknąć uszkodzenia oraz możliwego wypadku, odłącz filtr piaskowy przed każdą zmianą położenia zaworu kontrolnego. Zmiana położenia zaworu kontrolnego, gdy pompa pracuje może doprowadzić do uszkodzenia samego zaworu oraz do wypadków lub uszkodzenia mienia.


Jak korzystać z zaworu kontrolnego


Wciśnij w dół dźwignię zaworu kontrolnego i obróć ją w odpowiednie położenie.

FUNKCJE ZAWORU KONTROLNEGO


Zawór kontrolny służy do wybrania jednej z 6 różnych funkcji filtra: Filtrowanie, przepłukiwanie, cyrkulacja, obieg wsteczny, zamknięty oraz drenaż.




 **Filtrowanie:** Funkcja ta to filtrowanie wody w basenie, zawór powinien być ustawiony w tej pozycji przez 99% czasu pracy. Woda jest przepompowywana przez filtr piaskowy i powraca oczyszczona do basenu.

 **Cyrkulacja:** Funkcja ta to obieg wody basenowej z pominięciem filtra; należy jej używać gdy filtr jest zepsuty, aby nieczystości zbierały się na siatkach filtrujących.

 **Obieg wsteczny:** Funkcja ta służy do oczyszczania piasku; woda jest przepompowywana do dołu przez zbieracz, do góry poprzez piasek i wylewa się przez złącze D.

 **Drenaż:** Funkcja ta to spuszczenie wody z basenu; kolejna funkcja, która pomija filtr, woda zamiast powracać do basenu wylewa się przez złącze C.

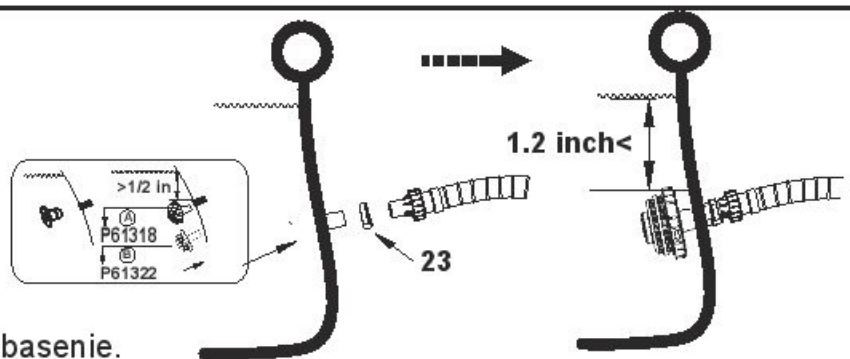
 **Przepłukiwanie:** Funkcja ta jest używana na początku, do czyszczenia oraz do układania piasku po obiegu wstecznym; woda jest pompowana w dół poprzez piasek, do góry przez zbieracz i wylewa się przez złącze D.

 **Zamknięty:** Funkcja ta powoduje zamknięcie obiegu wody pomiędzy filtrem piaskowym a basenem.

UWAGA:

- Upewnij się czy spełnione są wszystkie lokalne, regionalne i państwowe normy dotyczące pozbywania zużytej wody. Nie wolno wylewać wody w miejscach, gdzie może to spowodować podtopienia lub uszkodzenia.
- Gdy zawór kontrolny jest ustawiony na obieg wsteczny, przepłukiwanie lub drenaż, woda będzie wylewać się przez złącze D zaworu.
- Nie wolna podłączać i uruchamiać filtra piaskowego z zaworem kontrolnym ustawionym w pozycji Zamknięty, gdyż może to spowodować poważne uszkodzenia.
- Nie wolno ustawić zaworu kontrolnego w położeniu pomiędzy funkcjami gdyż może to prowadzić do powstania przecieków.
- Aby uniknąć wycieku, przed uruchomieniem filtra piaskowego, nakręć nakrętkę Portu D na Zawór kontrolny Portu D.

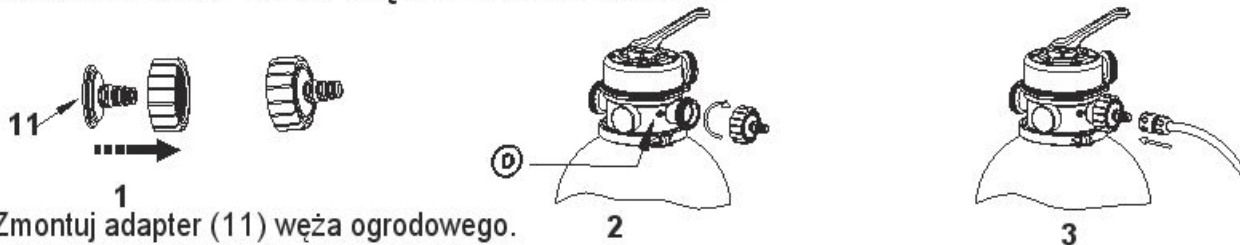
FUNKCJE ADAPTERA WĘŻA



Basen z zaworami ($\Phi 3,2\text{cm}$)

- 1) Podłącz adaptery (22) do węży.
- 2) Podłącz węże do odpowiednich liter na basenie.
- 3) Podłącz węże do filtra piaskowego poprzez wciśnięcie końcówki węży w wejście pompy. Wkręć gwintowane pierścienie blokujące na ich miejsce, upewnij się, że litery na basenie i na filtrze piaskowym są ze sobą zgodne (od A do A, B do B).
- 4) Wyjmij korki z zaworów wlewu i odpływu basenu i włóż w nie filtry siatkowe (26).
- 5) Z węzami i filtrami siatkowymi (26) na swoim miejscu, dokręć zaciski węży (23).

FUNKCJE ADAPTERA WĘŻA OGRODOWEGO



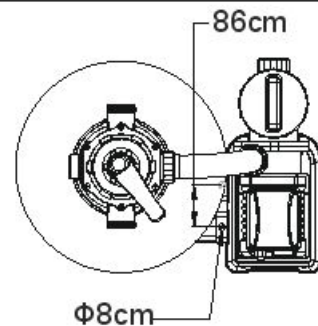
1. Zmontuj adapter (11) węży ogrodowych.
2. Przykręć adapter (11) węży ogrodowych do portu D filtra piaskowego.
3. Podłącz wąż ogrodowy do adaptera (11) węży ogrodowych.

UWAGA:

1. Adapter (11) węży ogrodowych może być stosowany wyłącznie do osuszania i może być zamontowany wyłącznie do portu D filtra piaskowego.
2. Zawsze wyłączaj i odłączaj wtyczkę filtra piaskowego przed montażem adaptera (11) węży ogrodowych i ustaw zawór regulacyjny na pozycję zamknięcia.
3. Przed montażem adaptera (11) węży ogrodowych, upewnij się, że podkładka jest w prawidłowej pozycji.

Sekcja I: Składanie (Potrzebny będzie śrubokręt krzyżakowy).

1. Ostrożnie wyjmij wszystkie części składowe z opakowania i sprawdź czy czegoś nie brakuje. Jeżeli czegoś brakuje należy od razu poinformować o tym sprzedawcę.
2. Filtr piaskowy powinien być ustawiony na solidnym, płaskim podłożu, najlepiej na płycie betonowej. Ustaw filtr piaskowy tak, aby wszystkie złącza i zawór kontrolny były dostępne do obsługi, serwisowania i zimowania.
3. Według normy EN60335-2-41 TEST, filtr piaskowy należy przymocować jeszcze przed jego użyciem do podłoża albo stabilnego postumentu drewnianego lub betonowego w pozycji pionowej, żeby zapobiec jego ewentualnemu przewróceniu się. Zmontowany filtr piaskowy będzie ważyć ponad 18kg. Średnica otworów do mocowania powinna wynosić 8mm i powinny znajdować się od siebie w odległości 86mm. Do przymocowania filtra piaskowego do postumentu użyj dwóch śrub z nakrętkami o maksymalnej średnicy 8mm.

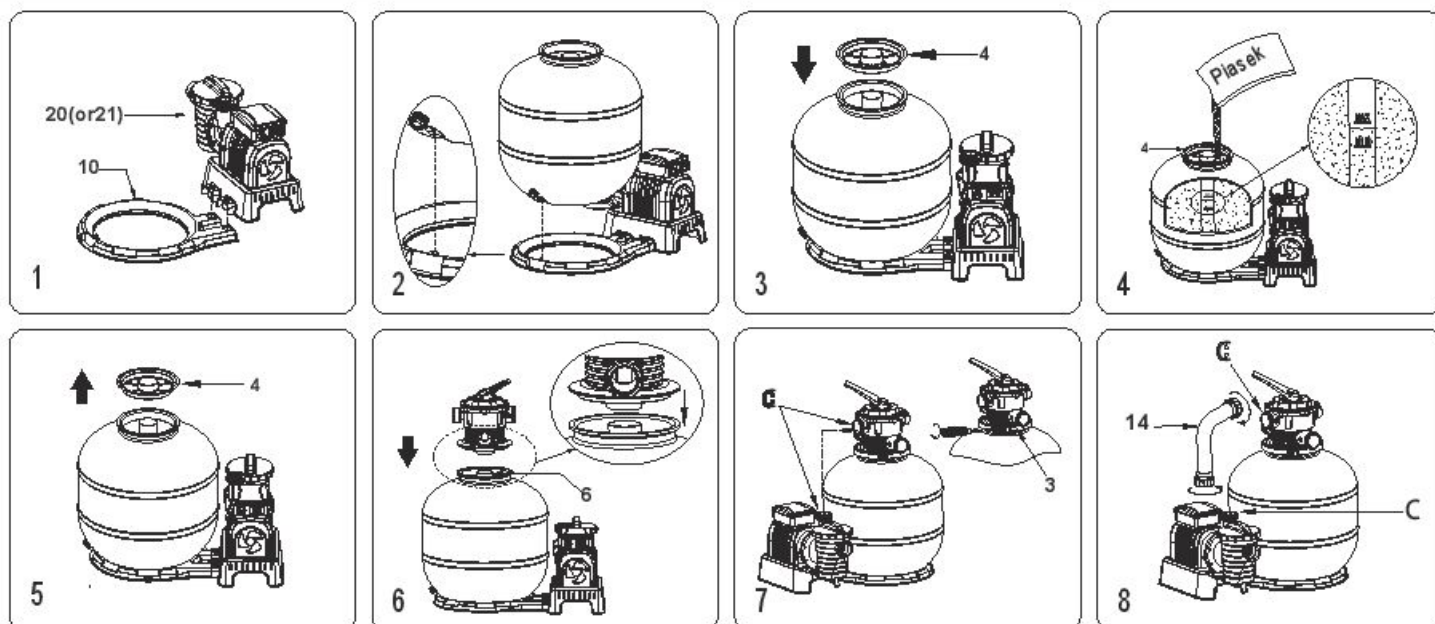


Wsymp odpowiedni piasek filtrujący.

UWAGA: Używaj tylko specjalnego piasku filtrującego bez kamieni lub ilu: #20 piasek krzemionkowy 0.45-0.85mm, jeden worek 35kg powinien wystarczyć. Jeśli nie używasz filtra piaskowego o zalecanej wielkości, filtrowanie może być zmniejszone a filtr piaskowy może ulec uszkodzeniu, doprowadzając w ten sposób do naruszenia warunków gwarancji.

UWAGA: Aby uniknąć uszkodzenia pływak podczas wsypywania piasku, wlej trochę wody do dolnego zbiornika tak, aby przykryła ona pływak w zbieraczu.

UWAGA: PIASEK NIE WCHODZI W SKŁAD ZESTAWU.



1. Umieść podstawę zbiornika na właściwym miejscu, zwracając uwagę na pozycję otworu.
2. Ustaw zbiornik na odpowiednim obszarze podstawy.
3. Przymocuj pokrywę filtra (4).
4. Dosypuj piasek powoli, tak aby jego ciężar nie uszkodził piasty skimmera, aż do osiągnięcia poziomu znajdującego się pomiędzy oznaczeniami "MAX" i "MIN". Piasek kwarcowy #20, 0,45-0,85mm, około 35 kg.
5. Zdejmij pokrywę filtra (4).
6. Powoli przełóż zawór regulujący pod zbiornikiem upewniając się, że bypass wystający poniżej zaworu regulującego jest pewnie podłączony do piasty (6).
7. Upewnij się, że port C zaworu regulującego jest wyrównany z portem C pompy. Nałóż górny zacisk kołnierzowy(3) i przykręć go.
8. Przymocuj orurowanie(14) do portu C pompy i do portu C zaworu regulacyjnego a następnie przykręć gwintowany pierścień. Upewnij się, że uszczelka jest prawidłowo umieszczona na obu końcach orurowania(14).

Sekcja II: Konfiguracja węży dla obiegu wstecznego oraz dla przepłukiwania

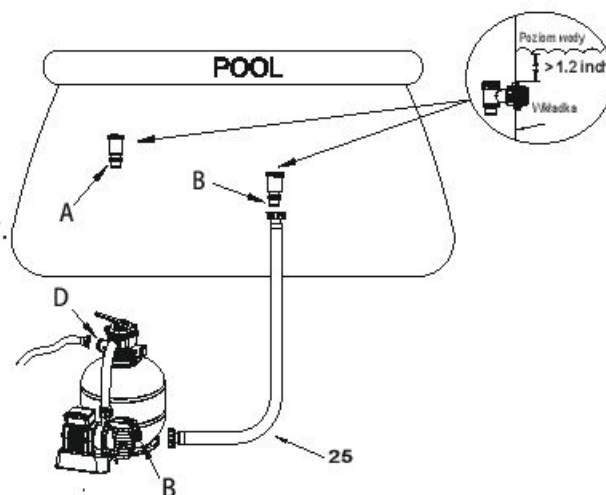
UWAGA: Upewnij się że zawór kontrolny jest w pozycji 'Zamknięty'.

Twój basen należy napęlnić wodą, upewnij się, że obie Siatki do przesiewania odpadków są w pełni zanurzone w wodzie.

1. Podłącz jeden koniec węża (25) do portu B filtra piaskowego; przykręć gwintowany pierścień zabezpieczający.
2. Podłącz drugi koniec węża (25) do zaworu połączenia portu B; przykręć gwintowany pierścień zabezpieczający.
3. Otwórz zawór połączenia.

UWAGA: Odnośnie wskazówek dotyczących instalacji zaworu połączeniowego przeczytaj instrukcje obsługi basenu.

4. Przykręć drugi koniec węża do Portu D i umieść przeciwny koniec w obszarze spustu.



Sekcja III: Obieg wsteczny i przepłukiwanie

W ramach przygotowania pompy do pierwszego użycia należy ją Wymyć i Wypłukać, a piasek przemyć.

OSTROŻNIE: NIE WOLNO URUCHAMIAĆ NA SUCHO FILTRA PIASKOWEGO.

1. Wciśnij w dół dźwignię zaworu kontrolnego i obróć ją w położenie obiegu wstecznego.
2. Włóż wtyczkę do urządzenia prądu szczałkowego, a następnie włącz filtr piaskowy i uruchom go na 3-5 minut, aż do całkowitego oczyszczenia wody.
3. Odłącz filtr piaskowy i ustaw zawór kontrolny na przepłukiwanie.
4. Włóż wtyczkę do gniazdka i uruchomi filtr na 1 minutę. Spowoduje to przejście wody z powrotem przez filtr piaskowy i wypłynięcie przez złącze D.
5. Odłącz filtr piaskowy. Ustaw zawór kontrolny w pozycji 'Zamknięty'.
6. Uzupełnij wodę w basenie.

WAŻNE: Procedura ta wykorzystuje wodę z basenu, którą później należy uzupełnić. Odłącz natychmiast filtr piaskowy, jeżeli poziom wody znajdzie się w pobliżu zaworu wejściowego lub wyjściowego.

NIE WOLNO URUCHAMIAĆ NA SUCHO FILTRA PIASKOWEGO

Sekcja IV: Zakończona instalacja filtra piaskowego

Podłączanie drugiego węża

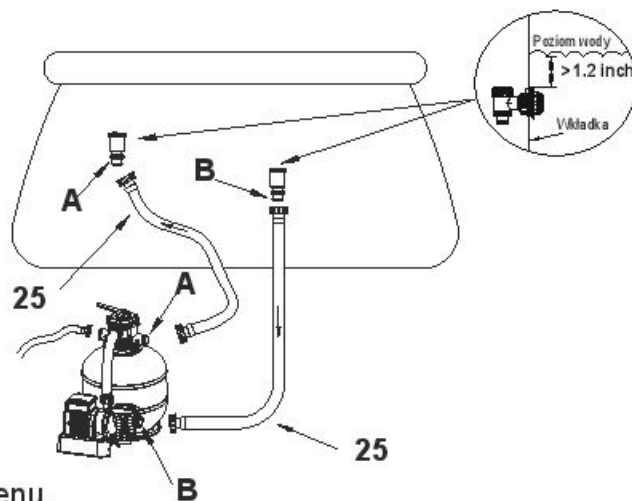
UWAGA: Ważne jest, aby sprawdzić, czy nie są rozszczelnione złącza hydrauliczne.

UWAGA: Upewnij się, że zawór kontrolny jest w pozycji 'Zamknięty'.

Montaż

1. Odłącz węża(25) z złącza D.
2. Przymocuj węża(25) do złącza A zaworu kontrolnego i dokręć pierścień zaciskający
3. Podłącz drugi koniec węża(25) do wejścia A basenu.
4. Otwórz zawór połączeniowy.

UWAGA: Odnośnie wskazówek dotyczących instalacji zaworu połączeniowego przeczytaj instrukcje obsługi basenu.



Sekcja V: Obsługa filtra piaskowego

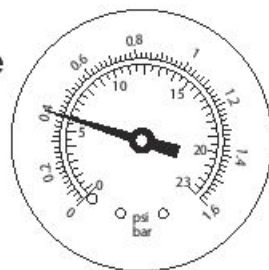
1. Teraz filtr piaskowy jest gotowy do użycia. Ustaw zawór kontrolny w pozycji 'Filtrowanie'.

UWAGA: Aby uniknąć ryzyka porażenia prądem wytrzymaj filtr piaskowy oraz siebie z pozostałości wody.

WAŻNE: Przed operacją upewnij się, że zbiornik stabilnie spoczywa na bazie oraz że został on prawidłowo podłączony do pompy.

2. Uruchom filtr piaskowy.

UWAGA: Filtr piaskowy rozpoczął teraz cykl filtrowania. Sprawdź, czy woda powraca do basenu oraz wartość ciśnienia. Generalnie, zalecane ciśnienie dla filtra piaskowego podczas pracy to poniżej 0.56Bar (8.0PSI).



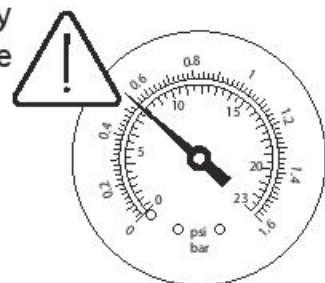
Konserwacja filtr piaskowego

OSTROŻNIE: Przed przystąpieniem do konserwacji filtra piaskowego należy sprawdzić, czy urządzenie jest odłączone od zasilania, bo w przeciwnym razie narażasz się na ryzyko poważnego uszkodzenia ciała lub nawet śmierć.

Z czasem brud osadza się w filtrze piaskowym i wzrasta ciśnienie robocze.

Gdy ciśnienie wynosi 0.56Bar (8.0PSI) i więcej lub przepływ wody do basenu jest niski, nadszedł czas aby wyczyścić piasek. Aby wyczyścić piasek należy wykonać wszystkie wskazówki zawarte wcześniej w **Sekcji II; Sekcji III:**

Obieg wsteczny i przepłukiwanie



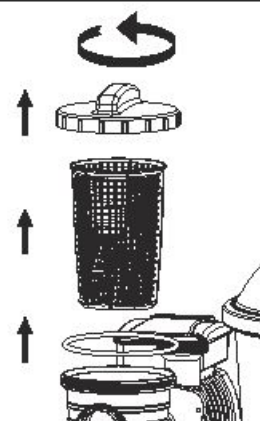
UWAGA:

1. Ciśnieniomierz jest przeznaczony wyłącznie do celów konserwacyjnych, a wskazywane przez niego wartości są przybliżone, nie może być on stosowany jako przyrząd precyzyjny.
2. Zalecamy czyszczenie pokładu piasku raz w miesiącu lub rzadziej, w zależności od częstotliwości korzystania z basenu. Nie należy czyścić piasku zbyt często.

Czyszczenie Sitka

1. Odłącz wtyczkę filtra piaskowego odzasilania, a Zawór kontrolny ustaw na funkcję zamkniętą.
2. Wymień filtry siatkowe na korki aby zapobiec wypływowi wody.
3. Zdejmij Pokrywkę sitka odkręcając ją.
4. Wyjmij Sitko, usuń wszystkie zanieczyszczenia.
5. Włóż Sitko z powrotem do odpowiedniej pozycji. Sprawdź właściwe położenie otworu Sitka.
6. Sprawdź, czy obręcz uszczelki jest we właściwym miejscu. Zakręć Pokrywkę sitka z powrotem.
7. Wyjmij korki i włóż filtry siatkowe

UWAGA: Sitko należy opróżniać i oczyszczać regularnie. Brudne lub zapchane sitko będzie powodować gorszą pracę filtra piaskowego.



Obniżanie poziomu i opróżnianie basenu

1. Odłącz filtr piaskowy i ustaw zawór kontrolny na 'Drenaż'.
2. Odłącz węże od wejścia A basenu oraz złącza A filtra piaskowego i przymocuj do filtra D.
3. Uruchom filtr piaskowy w celu usunięcia wody z basenu.

OSTRZEŻENIE: NIE WOLNO URUCHAMIAĆ NA SUCHO FILTRA PIASKOWEGO.

Przechowywanie w okresie zimowym i długotrwałe przechowywanie

W rejonach gdzie temperatura spada poniżej zera, wyposażenie basenowe musi być chronione przed uszkodzeniem. Jeżeli pozwolisz aby woda zamarła spowoduje to uszkodzenie filtra piaskowego i utratę gwarancji.

1. Wykonaj procedurę obiegu wstecznego tak jak to opisano wcześniej.
2. Spuszczaj wodę z basenu zgodnie z instrukcją użytkownika.
3. Otwórz nakrętkę spustu znajdującego się na dnie zbiornika i spuść resztki wody.
4. Odłącz dwa węże od basenu i filtra piaskowego.
5. Wysyp cały piasek ze zbiornika i osusz wszystkie części.
6. Usuń filtr piaskowy ze strefy basenu, przechowuj filtr piaskowy wewnątrz, w suchym miejscu, niedostępnym dla dzieci.

ROZWIĄZYWANIE PROBLEMÓW

Problemy	Prawdopodobne przyczyny	Sposoby rozwiązania
Piasek wpływa do basenu	<ul style="list-style-type: none">- Piasek jest zbyt drobny- Przesuń zawór sterujący z funkcji mycia z przepływem zwrótnym do funkcji filtrowania bez zatrzymania filtra piaskowego- Poziom piasku jest zbyt wysoki- Cedzidło jest zepsute	<ul style="list-style-type: none">- Zalecany piasek kwarcowy o uziarnieniu 0,45mm do 0,85mm #20- Za każdym razem zatrzymaj filtr piaskowy, ustaw zawór sterujący- Sprawdź, czy poziom piasku znajduje się pomiędzy wartościami „MAX” i „MIN” oznaczonymi na środkowej rurce- Wymień cedzidło
Brak przepływu wody	<ul style="list-style-type: none">- Korki nie były usunięte- Zawór sterujący ustawiony był w pozycji Zamknięty- Sitko zostało zablokowane- Filtr piaskowy jest uszkodzony	<ul style="list-style-type: none">- Usuń korki i włóż ekrany siatkowe- Ustaw na funkcję filtra- Oczyszcz sitko- Zadzwoń do serwisu
Nadmiernie ciśnienie filtra	<ul style="list-style-type: none">- Brudny filtr- Zwapniała warstwa piasku- Niedostateczne płukanie zwrótnie- Ciśnieniomierz jest zepsuty	<ul style="list-style-type: none">- Płukanie zwrótnie- Sprawdź piasek i wymień w razie potrzeby- Wykonaj cykl płukania zwrótnego, aż wypływ będzie czysty- Wymień ciśnieniomierz
Zawór sterujący przecieka w porcie D	<ul style="list-style-type: none">- Zawór sterujący został ustawiony pomiędzy dwoma funkcjami- Uszczelka jest zniszczona	<ul style="list-style-type: none">- Ustaw na jednej funkcji- Wymień uszczelkę
Łączniki przeciekają	<ul style="list-style-type: none">- Podkładka łączników nie jest w pozycji- Podkładka łącznikowa jest zniszczona- Luźne Węże	<ul style="list-style-type: none">- Umieść podkładkę w pozycji- Wymień podkładkę- Dokręć je

Ograniczona gwarancja producenta BESTWAY®

Na zakupiony przez Państwa produkt obowiązuje ograniczona gwarancja. Bestway® stoi za naszą gwarancją jakości i zapewnia, dzięki gwarancji wymiany, że produkt będzie wolny od wad producenta, które mogą powodować wycieki.

Poniższy przepis obowiązuje tylko w krajach członkowskich Unii europejskiej; niniejsza ograniczona gwarancja Bestway nie wyłącza, nie ogranicza ani nie zawiesza postanowień dyrektywy 1999/44/WE.

Ograniczona gwarancja producenta jest ważna na okres: 1 roku od daty zakupu dla filtra piaskowego.

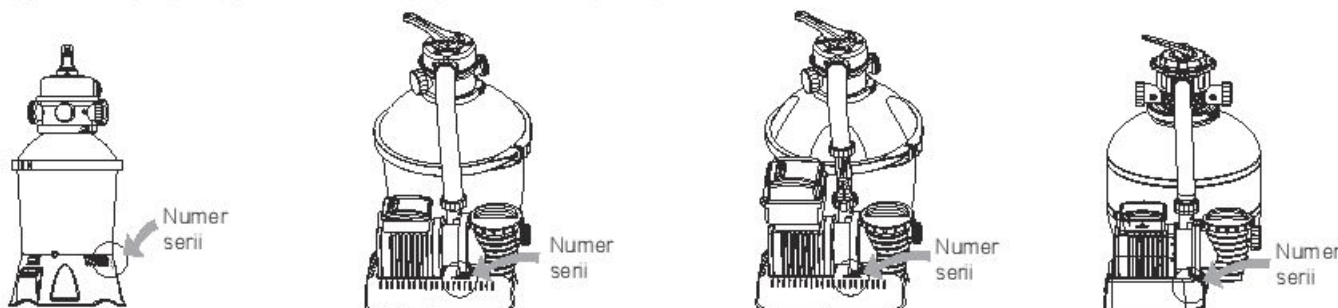
W celu zgłoszenia gwarancyjnego należy dostarczyć do centrum obsługi klienta poniższy, wypełniony formularz, oraz kopię dowodu zakupu i zdjęcia wad zakupionego produktu. Przed wysłaniem jakichkolwiek dokumentów prosimy o kontakt z najbliższym centrum obsługi klienta Bestway. Uzyskają Państwo w ten sposób pełną instrukcję dotyczącą wszystkich wymogów dotyczących reklamacji. Bestway® nie wymieni produktów, które uzna za zaniedbane lub użyte bez przestrzegania zaleceń zamieszczonych w instrukcji obsługi.

Gwarancja Bestway obejmuje wady fabryczne wykryte podczas rozpakowywania produktu lub podczas jego używania zgodnie z zaleceniami zawartymi w instrukcji obsługi, gwarancja ma zastosowanie wyłącznie do produktów nie modyfikowanych przez osoby trzecie. Produkt musi być przechowywany i obsługiwany zgodnie z zaleceniami technicznymi.

Gwarancja nie obejmuje uszkodzeń spowodowanych niewłaściwym użytkowaniem, nadużyciem, zaniedbaniem, włączając, ale nie ograniczając się do mocnego wstrząsu, pożaru, użycia nieprawidłowego napięcia, nadmiernej ekspozycji na ciepło, niewłaściwej instalacji, niewłaściwego okablowanie lub testów, czy nieprawidłowego przechowywania.

Wymiana i naprawa nie przedłuża okresu gwarancji. Ograniczona gwarancja jest ważna w okresie wskazanym powyżej a data jego początku odpowiada w każdym przypadku dacie zakupu produktu, zamieszczonej na oryginalnym paragonie/fakturze zakupu.

Скопируйте номер партии, указанный на корпусе песочного фильтра.



Numer serii: _____ Data zakupu umieszczona na rachunku: _____

DO: DZIAŁ OBSŁUGI BESTWAY® DATA _____ Numer klienta _____

FAKS/E-MAIL/TEL: Prosimy o odniesienie się do właściwego kraju, na podstawie informacji z znajdujących się na tylnej okładce lub na naszej stronie internetowej: www.bestway-service.com

Prosimy o podanie pełnego adresu. Uwaga: Podanie niepełnego adresu może spowodować opóźnienia w dostarczeniu przesyłki.

Bestway zastrzega sobie prawo do obciążenia adresata kosztami ponownej dostawy przesyłek, jeśli dostawa została uniemożliwiona z winy odbiorcy.

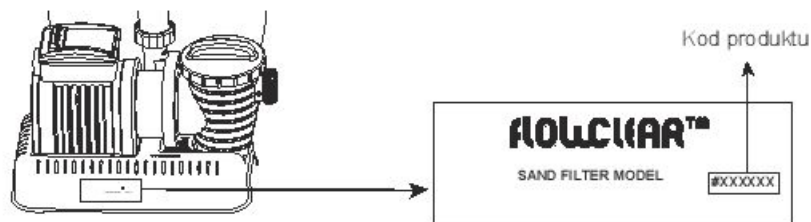
WYMAGANE INFORMACJE - PROSIMY O WPISANIE ADRESU DOSTAWY

Nazwisko: _____ Adres: _____ Kod pocztowy: _____

Państwo: _____ Miasto: _____ Tel. komórkowy: _____

Tel. domowy: _____ Faks: _____ E-MAIL: _____

Sprzedawca: _____ Prosimy czytelnie wpisać numer produktu: _____



Rysunki zostały zamieszczone wyłącznie w celach ilustracyjnych. Nie wykonane w skali.

Opis problemu

- Przeciek wody
- Nie działa
- Produkt nie jest kompletny. Brakująca część – Prosimy o wpisanie kodu, znajdującego się w instrukcji obsługi _____
- Inne, prosimy opisać _____

WAŻNE: ZOSTANIE WYMIENIONY TYLKO ZNISZCZONY ELEMENT, NIE CAŁY ZESTAW.

Bestway zastrzega sobie prawo do zażądania fotograficznych dowodów wadliwych części lub do zażądania zwrotu uszkodzonego elementu do przeprowadzenia dodatkowych testów.

W celu zapewnienia jak najlepszego wsparcia prosimy o dostarczenie pełnych informacji.

W CELU ZAPOZNANIA SIĘ Z NAJCZĘŚCIEJ ZADAWANYMI PYTANIAMI, INSTRUKCJAMI OBSŁUGI, FILMAMI CZY W CELU ZAKUPU CZĘŚCI ZAMIENNYCH PROSIMY O ODWIEDZENIE NASZEJ STRONY INTERNETOWEJ WWW.BESTWAY-SERVICE.COM.

FILMY DOSTĘPNE SĄ RÓWNIEŻ W NASZYM KANALE BESTWAY NA YOU TUBE:

<http://youtube.com/user/BestwayService>.

Bestway

Bestway.

#58366

Hmax 1.5m Hmin 0.19m IPX5

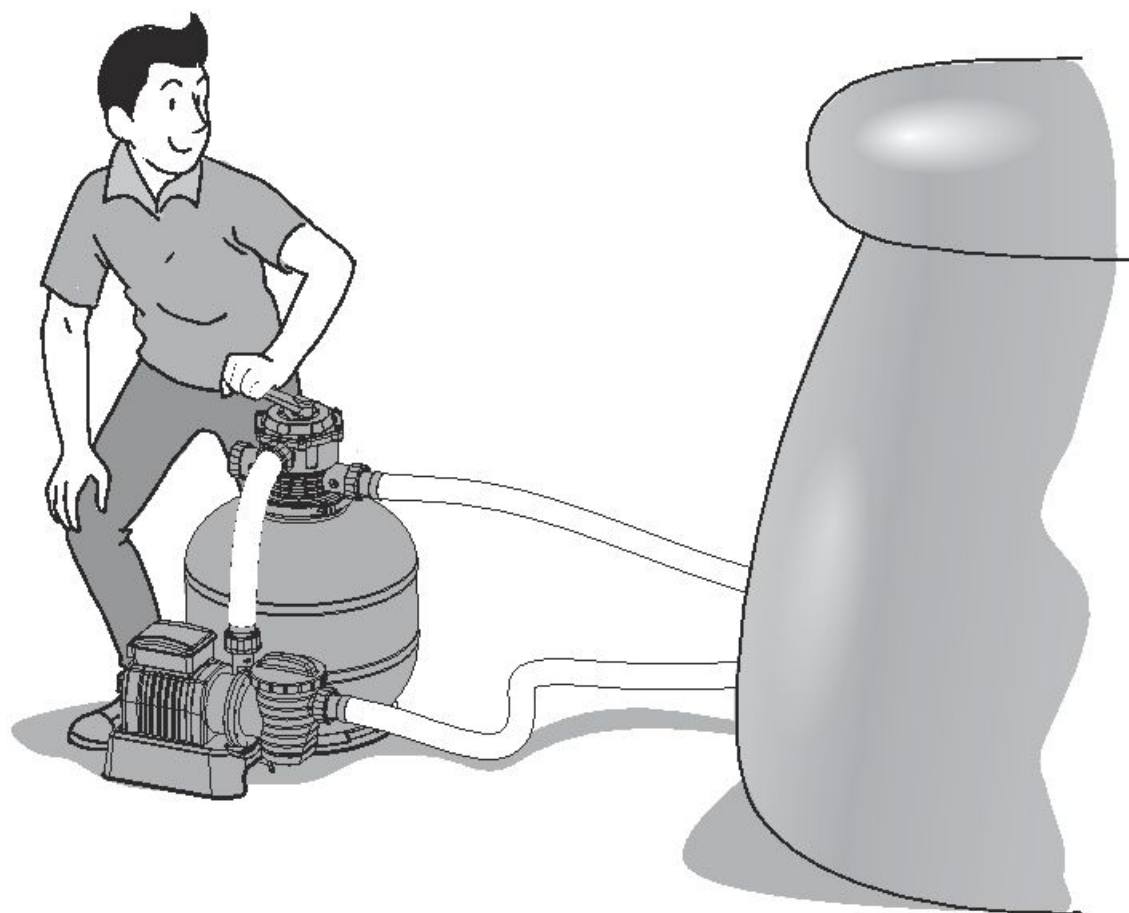
NE KÜLDJE VISSZA



A BOLTNAK

**KÉRDÉSE VAN? PROBLÉMÁJA VAN?
HIÁNYZIK EGY ALKATRÉSZ?**

Gyakran ismételt kérdések, kézikönyvek
és alkatrészek ügyében látogasson el a
www.bestway-service.com weboldalra.



FLOWCLEAR™ HOMOKSZŰRŐ HASZNÁLATI UTASÍTÁS

www.bestway-global.com
www.bestway-service.com



FIGYELMEZTETÉS**FONTOS BIZTONSÁGI ELŐÍRÁSOK KÉRJÜK OLVASSA EL ÉS TARTSA BE EZEKET AZ ELŐÍRÁSOKAT!**

Ennek az elektromos berendezésnek az üzembe helyezésekor és használatakor mindig be kell tartani az alapvető biztonsági intézkedéseket, többek között:

- A szivattyút szigetelőtranszformátorról vagy maradékáram-működtetésű megszakítóval (RCD) rendelkező hálózati áramellátásról kell működtetni, a névleges üzemi maradékáram pedig nem haladhatja meg a 30 mA-t.
- Az épület fali áramforrásának a medencétől legalább 4 m-re és legalább 1,2 m magasságban kell lennie.
- A készüléket földelt áramforrásra kell csatlakoztatni
- **ÁRAMÜTÉSVESZÉLY!** - A szivattyú nem használható, ha ember van a medencében! Tiltsa meg a medence használatát, ha a homokszűrő megsérült.
- **A VEZETÉKET A FÖLD FELETT VEZESSE.** A vezetéket úgy kell elhelyezni, hogy abban fűnyíró, sövényvágó vagy egyéb berendezések lehetőleg ne tehessenek kárt.
- Az áramütés-veszély csökkentése érdekében a sérült vezetéket azonnal ki kell cserélni.
- A balesetveszély elkerülése érdekében a hálózati kábel sérülése esetén azt a gyártónak, szervizképviselőnek vagy más szakképzett személynek kell kicserélnie.
- Hosszabbítókábelek nem használhatók.
- Áramütésveszély! A homokszűrőt nem megfelelő áramforrásról üzemeltetni veszélyes, és az a homokszűrőt tönkretetheti.
- Tilos a földelő vezetéket eltávolítani vagy a csatlakozót bármilyen módon átalakítani. Tilos az átalakító csatlakozók használata. A csatlakozók vagy a földelés megfelelőségével kapcsolatos kérdésekben kérje ki szakképzett elektromos műszerész tanácsát.
- A homokszűrőt használja óvatosan. Ne húzza vagy emelje a homokszűrőt a tápvezetéknel fogva. Sohasem húzza ki a csatlakozódugaszt a konnektorból a vezetékkel fogva. Óvja a vezetéket a sérüléstől. Ne tegye ki a homokszűrőt éles tárgyaktól, olajtól, mozgó alkatrészekről vagy túlzott hőhatástól származó sérülésnek.
- A tápvezetéket a termék szállítása, tisztítása, szerelése vagy bármilyen módosítása előtt mindig ki kell húzni a konnektorból.
- Ne dugja be és ne húzza ki a készülék dugalját nedves kézzel
- Mindig válassza le a készüléket az áramellátásról:
 - Esős időben
 - Tisztítás vagy más karbantartás esetén
 - Ha szünnapokon felügyelet nélkül hagyja
- Ha a készüléket előre láthatólag hosszabb ideig nem fogja használni (pl. télen), a medencekészletet szét kell szerelni, és beltérben kell tárolni.
- **Vigyázat:** A készülék használata, illetve (újra)összeszerelése előtt, kérjük, minden alkalommal olvassa el az útmutatót.
- Az utasítások betartása. A medencekészletet összeszerelését minden alkalommal az utasítások szerint végezze.
- Az utasítások elvesztése esetén, kérjük, vegye fel a kapcsolatot a Bestway vállalattal, vagy keresse meg a következő weboldalon: www.bestway-service.com
- Az elektromos rendszereknek meg kell felelniük a huzalozásra vonatkozó országos követelményeknek. Ha kérdései vannak, kérje ki egy szakképzett villanyszerelő tanácsát.

VIGYÁZAT: A homokszűrő kizárólag összeszerelhető medencékhez használható. Tilos a homokszűrőt állandóra szerelt medencékhez használni. Az összeszerelhető medencék úgy vannak megépítve, hogy azokat a tároláshoz könnyű legyen szétszerelni, majd újra összeállítani. Az állandó medencék földbe süllyesztett, a földön álló vagy épületben elhelyezett, nem szétszerelhető létesítmények.

- Ez a készülék 8 éves kortól használható, illetve a fizikailag, érzékszervileg vagy szellemileg korlátozott, továbbá a kellő tapasztalattal vagy tudással nem rendelkező személyek a készüléket csak felügyelet mellett, vagy a készülék biztonságos használatával kapcsolatos ismeretek megszerzését és a járulékos veszélyek megértését követően használhatják. A gyermekek nem játszhatnak a készülékkel. A tisztítást és felhasználó által végzendő karbantartást gyermekek csak felügyelettel végezhetik. (EU-s piacra szánt termék esetén)
- Ez a készülék nem használható fizikailag, érzékszervileg vagy szellemileg korlátozott, továbbá a kellő tapasztalattal vagy tudással nem rendelkező személyek (és gyermekek) által, kivéve felügyelet mellett, vagy ha készülék biztonságos használatával kapcsolatosan útmutatást kaptak egy a biztonságukért felelős személytől. A gyerekeket felügyelni kell, hogy ne játszanak a

készülékkel. (EU-n kívüli piacra szánt termék esetén)

- A tisztítást és felhasználói karbantartást csak 18 évet betöltött, az elektromos áramütés veszélyeivel tisztában lévő felnőttek végezhetik.

FIGYELEM:

- A homokszűrőt szilárd, egyenletes talajon helyezze el. A homokszűrőnek a medence szélétől legalább 2m távolságra kell lennie. A berendezést tartsa a lehető legtávolabb.
- A medencét és a homokszűrőt úgy helyezze el, hogy megfelelő legyen a szellőzés és a vízelvezetés, és hogy karbantartás esetén könnyű legyen a hozzáférés. Ne helyezze a homokszűrőt mélyedésbe, ahol meggyűlhet a víz, vagy ahol a járókelőknek útjában lehet.
- Fontos, hogy a felállított medence közelében legyen a hálózati konnektor. A homokszűrő hálózati csatlakozójának a medencétől legalább 3,5m távolságra kell lennie.
- A légköri viszonyok befolyásolhatják a homokszűrő teljesítményét és élettartamát; tegye meg a szükséges óvintézkedéseket annak érdekében, hogy a homokszűrőt megvédje a hideg vagy meleg időjárás, illetve a napsütés okozta felesleges elhasználódástól.
- Az első használat előtt ellenőrizze, hogy megvan-e a homokszűrő valamennyi alkatrésze. Kérjük, hogy az ebben a kézikönyvben található ügyfélszolgálati címen értesítse a Bestway-t, ha a vásárláskor bármely alkatrész hibás vagy hiányzik.
- Minden sérült alkatrész a lehető leghamarabb ki kell cserélni. Csak a gyártó által jóváhagyott alkatrészeket használja.
- Ügyeljen rá, hogy gyerekek vagy felnőttek ne támaszkodjanak neki és ne üljenek rá a berendezésre.
- A homokszűrőbe ne tegyen semmiféle vegyi anyagot.
- Ha vegyszereket használ a medence vizének tisztításához, akkor tartsa be a minimális szűrési időt, hogy védje a vizet használók/úszók egészségét - a minimális szűrési idő a helyi egészségügyi előírások függvénye.
- A termék telepítéséhez csak a gyártó által szállított vagy meghatározott anyagok használhatók.
- Alapvető fontosságú, hogy meggyőződjön arról, hogy a szívókimenetek nincsenek akadályozva.
- A szűrőrendszeren végzendő karbantartási műveletek idejére tanácsos leállítani a szűrést.
- Rendszeresen ellenőrizze, hogy a szűrő nem tömődött-e el.
- Tanácsos hetente ellenőrizni, hogy nincs-e szükség visszamosásra vagy tisztításra. A medencevíz tisztaságának biztosításához minimum napi 8 órás szűrési üzemidő szükséges.
- Alapvető fontosságú, hogy a sérült részegységeket vagy szerelvényeket a lehető leghamarabb lecserélje. Csak a termék forgalmazásáért felelős személy által jóváhagyott részegységeket használjon.
- Minden szűrőt és szűrőközeget rendszeresen ellenőrizni kell, hogy nem gyűlt-e fel tömelék, ami akadályozná a szűrés megfelelőségét. Az esetlegesen már használt hűtőközeg ártalmatlanításának szintén meg kell felelnie a vonatkozó jogszabályoknak.
- Vegye figyelembe az útmutatóban foglalt összes biztonsági előírást és javaslatot. Amennyiben a szivattyúval, illetve bármely keringtetésért felelős eszközzel kapcsolatban kétsége merülne fel, forduljon képesített telepítőhöz, illetve a gyártóhoz/importőrhöz/forgalmazóhoz. A vízkeringtetési rendszerek meg kell felelnie az uniós és a nemzeti, illetve helyi jogszabályoknak – különösen az elektromosság vonatkozásában. A szelephelyzet, szivattyúméret, rácsméret módosítása hatással lehet az áramlásra, ezáltal a szívási sebesség megnőhet.
- A termék nem kereskedelmi célú felhasználásra készült.

Alaposan olvassa el, és tegye félre az útmutatót, hogy a jövőben bármikor belenézhesen.

ŐRIZZE MEG EZT AZ ÚTMUTATÓT

HULLADÉKKEZELÉS



Az áthúzott kerek szemétkosár jelentése:

Ne dobja ki az elektromos berendezést a többi háztartási hulladékkal együtt, számukra használja az e célra rendszeresített külön gyűjtőládákat.

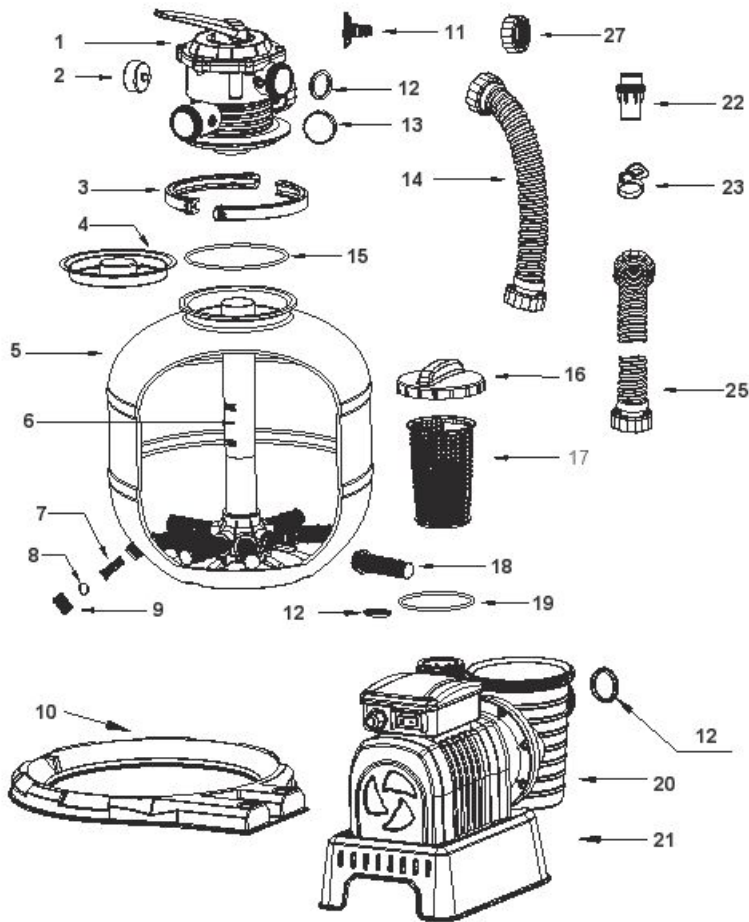
A helyi önkormányzatnál kérhet információt a használt eszközök leadásának módjáról.

Amennyiben az elektromos berendezések szemétdöbrökbe vagy szemételepekre kerülnek, a bennük lévő veszélyes anyagok a talajvízbe szivároghatnak és ily módon a táplálékláncba kerülhetnek, károsítva egészségét vagy közérzetét.

Ha régi berendezéseit újakra cseréli, a kiskereskedőnek jogi kötelessége az Ön által leadott elhasznált régi berendezésnek az ártalmatlanítás céljából való térítésmentes átvétele.

A HOMOKSZŰRŐ ALKATRÉSZEINEK ÁTTEKINTÉSE

A homokszűrő összeszerelése előtt, kérjük, szánjon rá néhány percet, hogy megismerkedjen az alkatrészekkel.

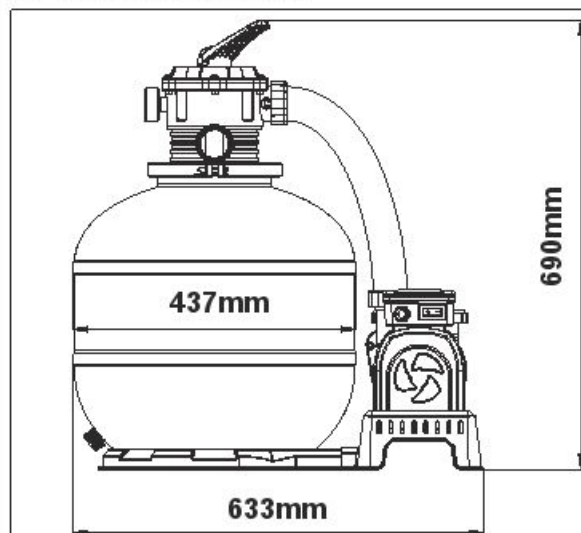


SORSZÁM	LEÍRÁS	MENNY.	ALKATRÉSZN SZÁMA
1	Vezérlőszelep	1	P61204
2	Nyomásmérő	1	P61138
3	Karimabilincs	2	P61205
4	Perselyfedél	1	P61209
5	Tartály	1	P61213
6	Persely	1	P61206
7	Szennyszűrő kazetta	1	P61211
8	Vízleeresztő alátétgyűrűje	1	P6581
9	Vízleeresztő szelep sapkája	1	P6580
10	Tartálytalapzat	1	P61212
11	Kerti tömlőadapter	1	P6614
12	Alátétgyűrű	5	P6029
13	D csatlakozó sapkája	1	P6540
14	Csővezetés	1	P6560
15	O gyűrű	1	P61214
16	Szűrőfedél	1	P6561
17	Szűrő	1	P6562
18	Szűrőkazetta	8	P61210
19	Tömítőgyűrű	1	P6563
20	Szivattyú	1	P61207
21	Szivattyú (csak az Egyesült Királyság esetén)	1	P61207GB
22	Adapter	2	P6916
23	Tömítőszorító bilincsek	2	P6124
26	Adapteranya	1	P6615

Opcionális részegységek

25	Tömlő (Φ38mm 3M)	2	P6028
26	Törmelékszűrő	1	P61322
	Törmelékszűrő	1	P61318

SPECIFICATIONS



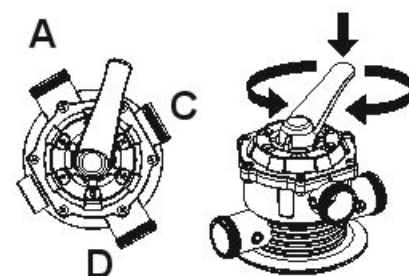
Szűrőátmérő:	437mm
Tényleges szűrőfelület:	0.150m ² (1.61ft ²)
Max. üzemi nyomás:	1.58Bar (23PSI)
Homokszűrő üzemi nyomás:	<0.56Bar (8PSI)
Max. vízhőmérséklet:	35°C
Homok:	Nincs a csomagban
Szemcseméret:	#20 kvarchomok, 0,45 - 0,85mm
Homok befogadóképesség:	Nagyjából 35 kg

SZABÁLYOZÓ SZELEP

FIGYELMEZTETÉS: A berendezés megrongálódása és az esetleges balesetek elkerülése érdekében húzza ki a konnektorból a homokszűrő szivattyút, ha állítani kíván a szabályozó szelepen. Ha a szelepet a szivattyú működése közben állítja át, a szabályozó szelep tönkremehet, ami sérülést vagy anyagi kárt okozhat.






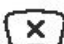
A szabályozó szelep használata

Nyomja le a szabályozó szelep karját, és forgassa a kívánt állásba.



A SZABÁLYOZÓ SZELEP BEÁLLÍTÁSAI

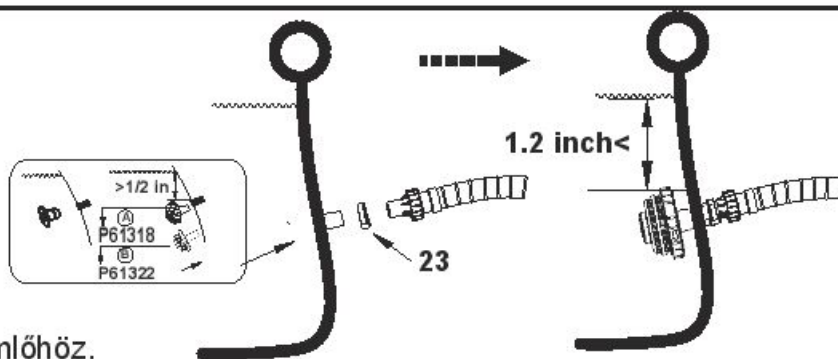
A szabályozó szeleppel 6 különböző szűrőfunkciót állíthatunk be: Szűrés, Öblítés, Forgatás, Utánöblítés, Elzárás és Leeresztés.

-  **Szűrés:** Ez a funkció a medence vízének szűrésére szolgál, és a szelep a használat 99%-a során ebben az állásban marad. A vizet a szivattyú keresztül pumpálja a homokon, majd az megtisztulva kerül vissza a medencébe.
-  **Utánöblítés:** Ez a funkció a homokszűrő tisztítására szolgál; a vizet a szivattyú keresztül nyomja a csatlakozó perselyen, felfelé a homokágyon, majd az a D kimeneten keresztül távozik.
-  **Öblítés:** Ez a funkció az első indításnál szükséges és a későbbi tisztításra, illetve az utánöblítést követően a homokágy elegyengetésére szolgál; a vizet a szivattyú keresztül nyomja a homokágyon, felfelé a csatlakozó perselyen, majd az a D kimeneten keresztül távozik.
-  **Forgatás:** Ez a funkció a homokszűrő megkerülésével forgatja a medence vizét; ezt a funkciót a szűrő meghibásodása esetén használjuk a szennyeződések összegyűjtésére a szűrőrácsokon.
-  **Leeresztés:** Ez a funkció a medence vízének leeresztésére szolgál; a víz itt sem kerül be a homokszűrőbe, hanem a C kimeneten át távozik, és nem kerül vissza a medencébe.
-  **Elzárás:** Ezzel a funkcióval zárhatjuk el a vízáramlást a homokszűrő és a medence között.

FIGYELEM:

- Fontos, hogy a szennyvíz-elvezetéssel kapcsolatos megoldások megfeleljenek a vonatkozó önkormányzati, illetve országos előírásoknak. Ne eressze ki a vizet olyan helyen, ahol az túlfolyást vagy egyéb károsodást okozhat.
- Ha a szabályozószelepet Utánöblítés, Öblítés vagy Leeresztés helyzetbe állítjuk, a víz a szabályozószelep D kimenetén át távozik.
- Ne csatlakoztassa a konnektorba és ne működtesse a homokszűrőt, ha a szabályozószelep az Elzárás helyzetben van, mert az súlyosan megrongálhatja a berendezést.
- Ne hagyja a szabályozó szelepet két funkció közötti állásban, mert az szivárgáshoz vezet.
- A szivárgás elkerülése végett, mielőtt a homokszűrőt beindítja, csavarja a D Csatlakoztató kupakját az Ellenőrző szelep D Csatlakoztatójára.

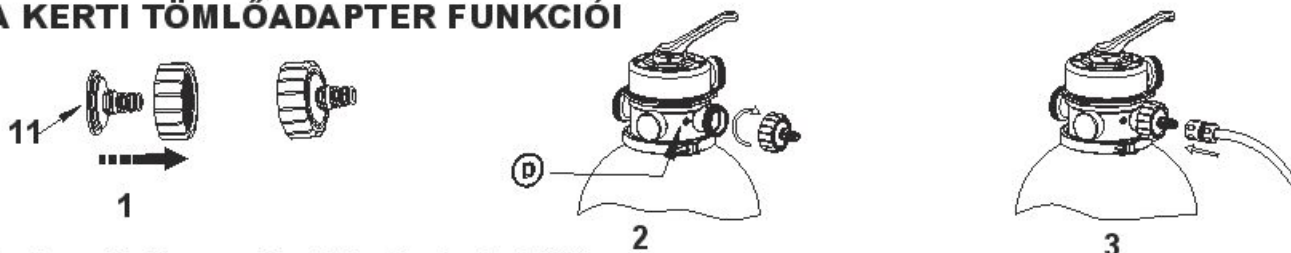
A TÖMLŐADAPTER FUNKCIÓI



Szelepes medence (Φ3,2 cm)

- 1) Csatlakoztassa az adaptereket (22) a tömlőhöz.
- 2) Csatlakoztassa a tömlőket a medencén azonos betűvel jelölt csatlakozókhoz.
- 3) Csatlakoztassa a tömlőket a homokszűrőhöz, a tömlőszerelvénynak a szivattyúcsatlakozóra való felnyomásával. Csavarozza a menetes rögzítőgyűrűket a helyükre – a medencének és a szűrőszivattyúnak az egymáshoz kötött csatlakozásainál a csatlakozáson feltüntetett betűknek egyezniük kell („A”-t az „A”-hoz, „B”-t a „B”-hez kell kötni).
- 4) Távolítsa el a záródugókat a medence bemeneti és kimeneti szeleperől, és helyezze be a törmelékiszűrőket (26).
- 5) Ha a tömlők és a törmelékiszűrők (26) a helyükön vannak, húzza meg a tömlőszorító bilincseket (23).

A KERTI TÖMLŐADAPTER FUNKCIÓI



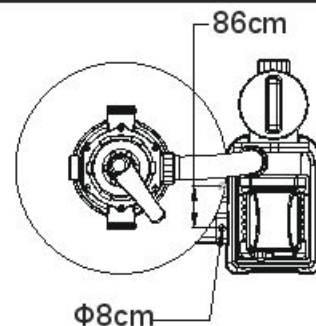
1. Szerelje össze a kerti tömlőadaptert (11) .
2. Csavarja föl a kerti tömlőadaptert (11) a homokszűrő D csatlakozójára.
3. Csatlakoztassa a kerti tömlőt a kerti tömlőadapterre (11) .

MEGJEGYZÉS:

1. A kerti tömlőadaptert (11) csak leeresztésre használható, és csak a homokszűrő D csatlakozójához csatlakoztatható.
2. A kerti tömlőadaptert (11) összeszerelése előtt mindig kapcsolja ki és válassza le a homokszűrőt, és állítsa a vezérlőszelepet zárt helyzetbe.
3. Gondoskodjon arról, hogy a kerti tömlőadaptert (11) összeszerelése előtt az alátétgyűrű megfelelő helyzetben legyen.

I. szakasz: Összeszerelés (Szükséges eszköz: Phillips csavarhúzó.)

1. Óvatosan vegye ki az összes tartozékot a csomagból, és ellenőrizze, hogy nem sérült-e meg valami. Ha a berendezés sérült, azonnal értesítse az üzletet, ahol a berendezést vásárolta.
2. A homokszűrőt szilárd, egyenes talajon, lehetőleg betonlapon kell elhelyezni. A homokszűrőt úgy helyezze el, hogy valamennyi kimenet és a szabályozószelep könnyen hozzáférhető legyen az üzemeltetéshez, javításhoz és a téliesítéshez.
3. Az EN60335-2-41 TEST szabvány értelmében a homokszűrőt a használata előtt függőleges helyzetben a talajhoz vagy stabil, fából vagy betonból készült talpazathoz kell erősíteni. hogy a homokszűrő esetleges feldőlését megelőzzék. A teljesen összeszerelt homokszűrő súlya meghaladja a 18kg-ot. A szerelőnyílások átmérőjének 8mm nagyságúnak kell lennie és azoknak egymástól 86mm távolságra kell elhelyezkedniük. A homokszűrőnek a talpazathoz való rögzítéséhez használjon két darab maximum 8mm átmérőjű csavart anyacsavarral.

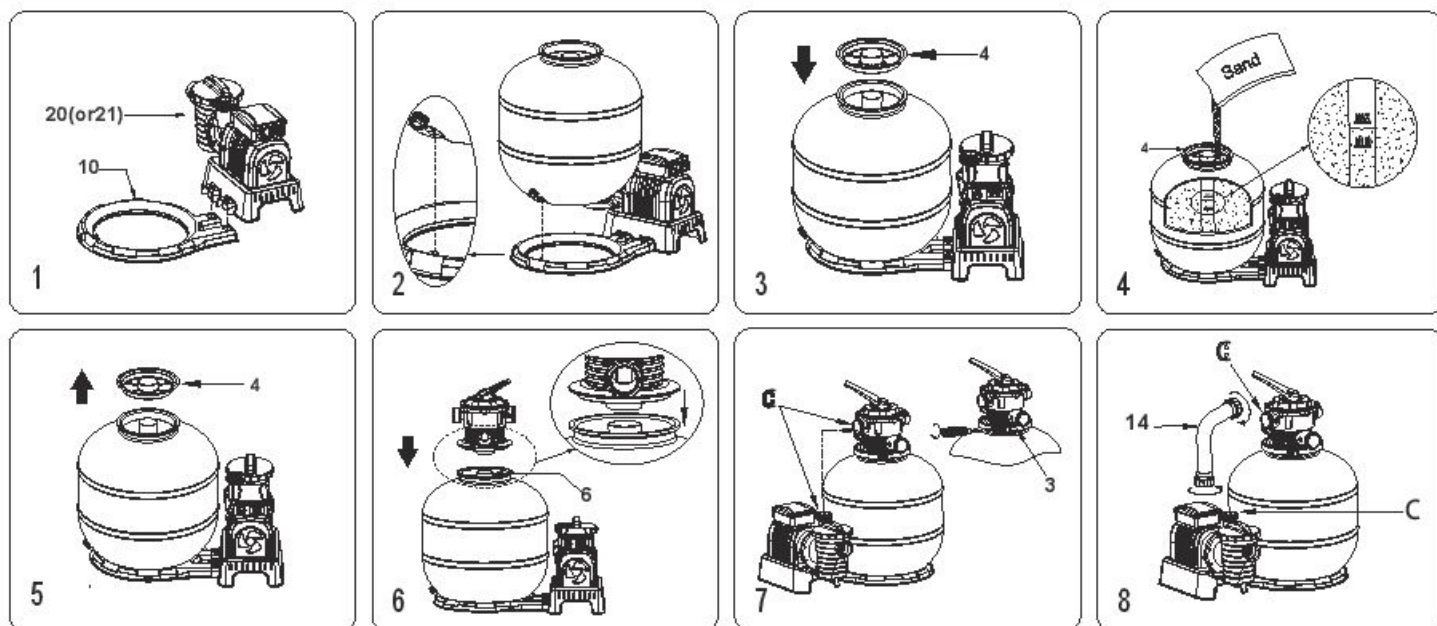


Töltse fel a homokszűrőt medencékhez használt finomságú szűrőhomokkal.

FIGYELEM: Kizárólag különleges, mészkő- és agyagmentes szűrőhomokat használjon: #20 kvarchomok, szemcseátmérő: 0,45-0,85mm, kb. egy 35kg-os zsák elegendő. Ha nem a javasolt méretű szűrőhomokat használja, a szűrési teljesítmény rosszabb lehet, a homokszűrő pedig tönkremehet, ami a garancia elvesztésével jár.

FIGYELEM: Elkerülhető az uszadékfogó megrongálódása, ha a homok feltöltésekor az alsó tartályt annyira feltölti vízzel, hogy az ellepje a csatlakozó perselyen található uszadékfogót.

FIGYELEM: A HOMOK NEM TARTOZÉK.



1. Helyezze el megfelelő helyre a tartálytalapzatot és állítsa be a pozícionálófurat irányát.
2. Helyezze a tartályt a tartálytalapzat megfelelő helyére.
3. Helyezze fel a szűrőfedelelet (4).
4. Lassan adagolja be a homokot úgy, hogy a homok tömege ne sérthesse meg a perselyen lévő uszadékszűrőt, és adagolja addig, amíg a szintje a „MAX” és „MIN” jelölés közé nem kerül. 20-as számú, 0,45 ... 0,85 mm-es szilikahomok, nagyjából 35 kg.
5. Húzza ki a szűrőfedelelet (4).
6. Lassan engedje le a szabályozószelepet a tartályra, és ügyeljen rá, hogy a szabályozószelep alatt kitüremkedő megkerülő cső stabilan illeszkedjen az agyra (6).
7. Ügyeljen arra, hogy a vezérlőszelep C csatlakozója hozzá legyen illesztve a szivattyú C csatlakozójához. Csatlakoztassa a felső karimabilincset(3), és csavarozza a helyére.
8. Csatlakoztassa a csövezést(14) a szivattyú C csatlakozójához és a vezérlőszelep C csatlakozójához, majd csavarozza fel a menetes rögzítőgyűrűket a helyükre. Győződjön meg arról, hogy az alátétkarika a cső(14) mindkét végén megfelelő helyzetben van.

II. szakasz: A csövek bekötése Utánöblítéshez és Öblítéshez

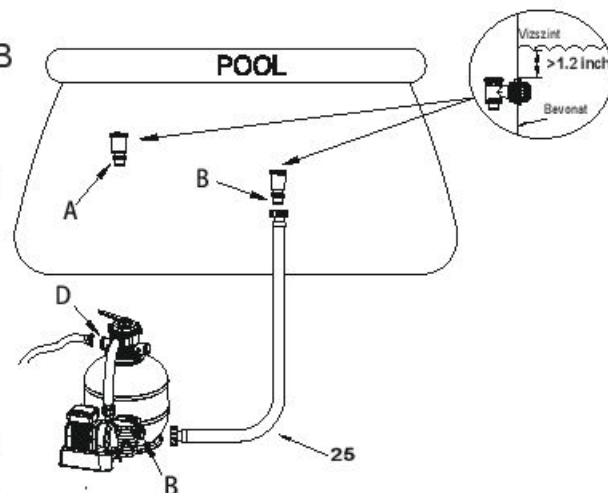
FIGYELEM: Ellenőrizze, hogy a szabályozószelep Elzárás állásban van-e.

Töltse fel a medencéjét vízzel, győződjön meg arról, hogy a medence mindkét. tömlelkszűrője teljesen a vízbe merül.

1. Csatlakoztassa a tömlő (25) egyik végét a homokszűrő B csatlakozójához, majd csavarja fel a menetes rögzítőgyűrűt a megfelelő helyzetbe.
2. Csavarja a tömlő (25) másik végét a csatlakozószelep B csatlakozójához, majd csavarja fel a menetes rögzítőgyűrűt a megfelelő helyzetbe.
3. Nyissa ki a csatlakozószelepet.

FIGYELEM: A csatlakozó szelep felszerelését illetően olvassa el a medence használati utasítását.

4. Csavarozza fel a másik tömlőt a D csatlakozóra, majd a másik végét vigye a leereszendő víz elfolyatási helyére.



III. szakasz: Utánöblítés és Öblítés

A szivattyút az első használata előtt Mossa és Öblítse ki, a homokot pedig mossa át.

VIGYÁZAT: NE JÁRASSA SZÁRAZON A HOMOKSZÜRŐT

1. Nyomja le a szabályozó szelep karját, és forgassa az Utánöblítés állásba.
2. Włóż wtyczkę do urządzenia prądu szcążkowego, a następnie włącz filtr piaskowy i uruchom go na 3-5 minut, aż do całkowitego oczyszczenia wody.
3. Húzza ki a konnektorból a homokszűrőt, és állítsa a szabályozószelepet Öblítés állásba.
4. Dugja vissza a dugót a konnektorba, és járassa a homokszűrőt 1 percig. Ilyenkor a víz visszafelé áramlik a homokszűrőn és a D kimeneten keresztül távozik.
5. Húzza ki a konnektorból a homokszűrő dugós csatlakozóját. Állítsa a szabályozószelepet Elzárás állásba.
6. Töltse fel teljesen a medencét.

FONTOS: A medencéből ilyenkor víz távozik, ezt később fel kell tölteni. Azonnal húzza ki a konnektorból a homokszűrőt, ha a vízszint megközelíti a medence befolyó és kifolyó szelepeit.

NE JÁRASSA SZÁRAZON A HOMOKSZÜRŐT.

IV. szakasz: A homokszűrő üzembe helyezésének utolsó lépése

Kösse be a második csövet

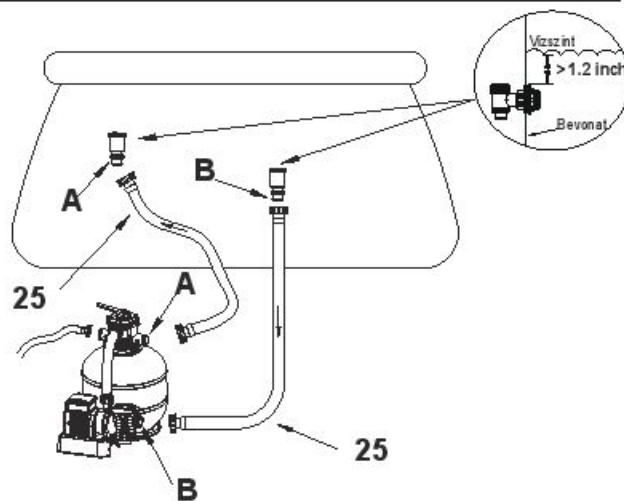
FIGYELEM: A hidraulikus csatlakozók akadályoztatásra való ellenőrzése kötelező feladat.

FIGYELEM: Ellenőrizze, hogy a szabályozószelep Elzárás állásban van-e.

Összeszerelés

1. Kösse le a tömlő (25) a D kimenetről.
2. Kösse a tömlő (25) a szabályozószelep A kimenetére; csavarhúzóval rögzítse a rögzítőbilincset.
3. A tömlő (25) másik végét kösse a medence A bemenetéhez.
4. Nyissa ki a csatlakozó szelepet.

FIGYELEM: A csatlakozó szelep felszerelését illetően olvassa el a medence használati utasítását.



V. szakasz:

A homokszűrő üzemeltetése

1. A homokszűrő most már használatra kész. Állítsa a szabályozószelepet Szűrés állásba.

FIGYELEM: Az áramütés elkerülése érdekében törölje szárazra saját magát és a homokszűrőt.

FONTOS: A művelet előtt győződjön meg arról, hogy a tartály stabilan áll a talapzatán és megfelelően van a szivattyúhoz csatlakoztatva.

2. Indítsa be a homokszűrőt.

FIGYELEM: A homokszűrő megkezdte a szűrőciklust. Ellenőrizze, hogy a víz visszafolyik-e a medencébe, és ügyeljen a nyomásmérő által jelzett szűrőnyomásra.

A homokszűrő ajánlott nyomása üzem közben 0.56Bar (8.0PSI) érték alatt van.

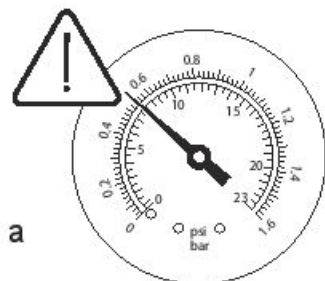


A homokszűrő karbantartása

VIGYÁZAT: A karbantartás megkezdése előtt ellenőrizze, hogy a homokszűrő ne legyen a konnektorhoz csatlakoztatva, mivel ellenkező esetben a testi épségét veszélyeztetheti, de az akár életveszélyes is lehet.

Amikor a homokszűrőben összegyűlik a szennyeződés, egyre nagyobb lesz a nyomásmérő által mért nyomás. Amikor a nyomásmérőn látható nyomás eléri vagy meghaladja a 0.56Bar (8.0PSI) értéket vagy a víz alacsony nyomással folyik vissza a medencébe, a homokot meg kell tisztítani. A homokágy megtisztításánál kövesse a

II. szakaszban; III. szakaszban (Utánöblítés és Öblítés) leírt valamennyi utasítást.



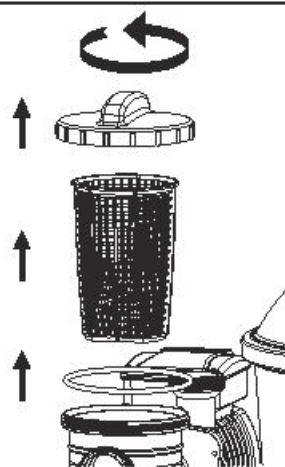
FIGYELEM:

1. A nyomásmérő csak karbantartási célt szolgál, és a nyomásmérő értéke csak tájékoztató érték, a mérő nem használható precíziós műszerként.
2. Javasoljuk, hogy a medence használatától függően legfeljebb havi egyszer tisztítsa meg a homokágyat. Ne tisztítsa a homokot túl gyakran.

A Szűrőszita tisztítása

1. Húzza ki a homokszűrő csatlakozó dugóját a konnektorból és az Ellenőrző szelepet állítsa a Zárt funkcióra.
2. Tegyen a törmelékszűrők helyére záródugókat, hogy megakadályozza a víz elfolyását.
3. Vegye le a Szűrőszita zárókupakját, azt kicsavarva.
4. Vegye ki a Szűrőszitát, távolítsa el a szennyeződések.
5. Tegye vissza a Szűrőszitát a helyére. Ügyeljen arra, hogy a Szűrőszita nyílása középen legyen.
6. Ellenőrizze, hogy a Tömítőgyűrű a megfelelő helyen legyen. Csavarja vissza a Szűrőszita zárókupakját.
7. Távolítsa el a záródugókat, és helyezze be a törmelékszűrőket.

FIGYELEM: A Szűrőszitát bizonyos időközönként ki kell üríteni és kitisztítani. A szennyezett és eldugult szűrőszita a homokszűrő hatékonyságát csökkenti.



A medence részleges vagy teljes leeresztése

1. Húzza ki a konnektorból a homokszűrőt, és állítsa a szabályozószelepet Leeresztés állásba.
2. Kösse le a csövet a medence A bemenetéről és a homokszűrő A kimenetéről, és kösse azt a homokszűrő D kimenetére.
3. A medencevíz eltávolításához kapcsolja be a homokszűrőt.

FIGYELMEZTETÉS: NE JÁRASSA SZÁRAZON A HOMOKSZÜRŐT.

Téliesítés és tartós tárolás

Télre a medence felszereléseit fagykár ellen téliesíteni kell. Ha a berendezésekben a víz megfagy, akkor a homokszűrő megrongálódik, a garancia pedig ilyen esetben nem érvényes.

1. A fent leírtaknak megfelelően végezze el a homokszűrő utánöblítését.
2. A medence használati utasításának megfelelően eressze le a vizet a medencéből.
3. Csavarja le a tartály alján található lefolyócső anyacsavarját és eressze le a maradék vizet.
4. Szerelje le a két Tömlőt a medencéről és a homokszűrőről.
5. Öntse ki az egész homokot a tartályból és az összes alkatrészt szárítsa meg.
6. Vigye távol a homokszűrőt a medenceterülettől, és tárolja a homokszűrőt száraz, gyermekektől távol eső beltéri helyen.

HIBAEHÁRÍTÁS

Problémák	Lehetséges okok	Megoldások
Homok áramlik a medencébe	<ul style="list-style-type: none">- A homok szemcsemérete túl kicsi- A homokszűrő leállítás nélkül mozgassa a vezérlőszelepet a visszamosás helyzetből a szűrés helyzetbe- A homokszint túl magas- Az uszadékszűrő törött	<ul style="list-style-type: none">- 20-as számú, 0,45 ... 0,85 mm-es szilikahomok használata javasolt- A vezérlőszelep minden egyes beállításakor állítsa le a homokszűrőt- Ellenőrizze, hogy a homokszint a gyűjtőpersely „MAX” és „MIN” jelölése közt legyen- Cserélje le az uszadékszűrőt
Nincs vízáramlás	<ul style="list-style-type: none">- A záródugók nem lettek eltávolítva- A vezérlőszelep zárt helyzetbe lett állítva- A szűrő eltömődött- A homokszűrő eltört	<ul style="list-style-type: none">- Távolítsa el a záródugókat, és helyezze be a törmelékszűrőket- Állítsa a készüléket szűrőfunkcióra- Tisztítsa meg a szűrőt- Hívja ki a márkaszervizt
Túlzott szűrőnyomás	<ul style="list-style-type: none">- A szűrő piszkos- Elvízkövesedett homokágy- Elégtelen visszamosás- A nyomásmérő eltört	<ul style="list-style-type: none">- Visszamosás- Ellenőrizze a homokot, és szükség esetén cserélje le- Végezzen visszamosást addig, amíg a kifolyó víz tiszta nem lesz- Cserélje le a nyomásmérőt
A vezérlőszelep szivárog a D csatlakozóból	<ul style="list-style-type: none">- A vezérlőszelep két funkció közé lett állítva- A tömítés törött	<ul style="list-style-type: none">- Állítsa a készüléket egy funkcióra- Cserélje le a tömítést
A csatlakozó szivárog	<ul style="list-style-type: none">- A csatlakozók alátétgyűrűje nincs a helyén- A csatlakozók alátétgyűrűje törött- Laza tömlők	<ul style="list-style-type: none">- Tegye vissza az alátétgyűrűt- Cserélje le az alátétgyűrűt- Húzza meg őket

Korlátozott BESTWAY® gyártói garancia

A vásárolt termékhez korlátozott garancia jár. A Bestway® áll a minőségi garanciák mögött és cseregaranciájával biztosítja, hogy a terméke minden szivárgást okozó gyártói hibától mentes lesz.

Az alábbi feltétel csak az EU-tagországokban érvényes: Az 1999/44/EK irányelv jogszabályi előírásait ez a BESTWAY korlátozott garancia nem érinti.

A korlátozott jótállás érvényessége: 1 év jótállás a homokszűrő vásárlásának dátumától.

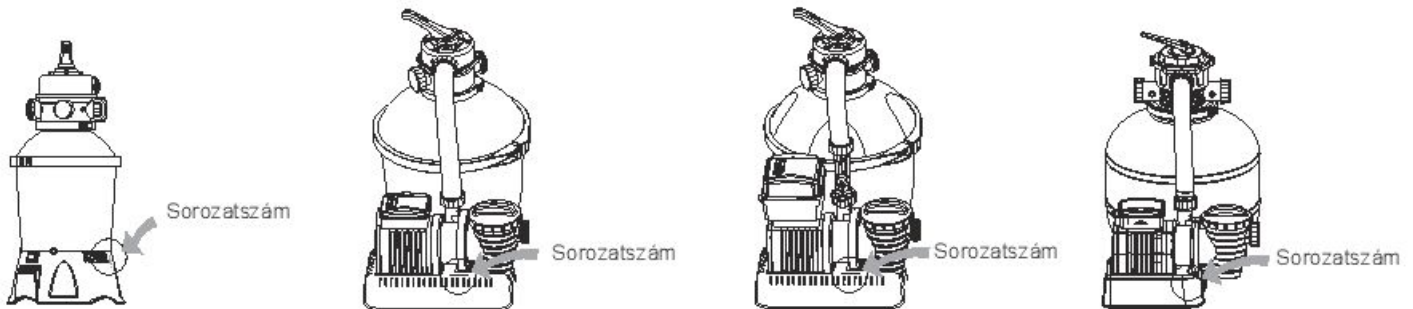
A garanciaigény érvényesítéséhez ezt az űrlapot ki kell tölteni, és a vásárlási bizonylat másolatával együtt át kell adni a Bestway értékesítés utáni szolgálatnak. Mielőtt bármilyen dokumentumot elküldene, tájékozódjon a legközelebbi Bestway értékesítés utáni szolgálatnál – náluk mindent megtudhat arról, hogy a garanciaigény érvényesítéséhez mi szükséges. A Bestway® nem cserél olyan termékeket, amelyekről úgy ítéli meg, hogy hanyagul kezelték vagy nem a használati útmutatóban leírtak szerint használták.

A Bestway garancia a termék kicsomagolásakor vagy a terméknek a használati útmutatóban foglalt ajánlások betartása melletti használatokor felfedezett gyártási hibákra terjed ki, ez a garancia csak 3. fél által nem módosított termékekre vonatkozik. A terméket a műszaki ajánlásoknak megfelelően kell tárolni és kezelni.

Ez a garancia nem vonatkozik a nem rendeltetésszerű használatból, túlhasználatból, hanyagságból eredő hibákra, ideértve, de nem kizárólag, az ütközés, tűz, nem megfelelő feszültség használata, túlzott melegen való kitétség, nem megfelelő beszerelés, nem megfelelő huzalozás vagy tesztelés, nem megfelelő tárolás miatti károkat.

A cserék és javítások nem hosszabbítják meg a garancia lejárata. A korlátozott garancia a fent feltüntetett időtartamra érvényes, és a garancia kezdetének dátumaként kizárólag az eredeti nyugtán/vásárlási számlán szereplő dátum értendő.

Jegyezze fel a homokszűrő testén elhelyezett gyártási sorozatszámot.



Sorozatszám: _____ Vásárlási bizonylat dátuma: _____

CÍMZETT: BESTWAY® SZERVIZRÉSZLEG DÁTUM _____ Ügyfélszám _____

FAX/E-MAIL/TEL: Kérjük, a dokumentum hátoldalán vagy a weboldalunkon keresse meg az Ön országára vonatkozó adatokat: www.bestway-service.com

Kérjük, adja meg a teljes címét. Megjegyzés: Ha nem a teljes címét adja meg, a szállítmány késedelmesen fog megérkezni.

A Bestway fenntartja a jogot, hogy a fogadó fél hibájából kézbesítetlen csomagok újraküldéséért díjat számoljon föl.

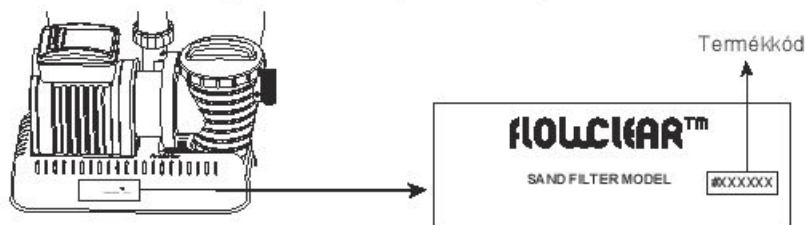
SZÜKSÉGES ADATOK – ADJA MEG A SZÁLLÍTÁSI CÍMET

Név: _____ Cím: _____ Irányítószám: _____

Ország: _____ Város: _____ Mobil: _____

Telefon: _____ Fax: _____ E-mail: _____

Kereskedő: _____ Kérjük, olvashatóan írja föl a cikk kódját: _____



Az ábrák csak illusztrációként szolgálnak és nem méretarányosak.

Probléma leírása

- Vízszivárgás
- Elromlott
- Cikk nem teljes. Melyik alkatrész hiányzik? Kérjük, írja le azt a kódot, melyet az útmutatóban talál _____
- Egyéb – kérjük, írja le _____

FONTOS: CSAK A SÉRÜLT ALKATRÉSZ LESZ KICSERÉLVE, NEM A TELJES KÉSZÜLÉK.

A Bestway fenntartja a jogot, hogy fényképes bizonyítékot kérjen a hibás alkatrészekről, illetve hogy a termék további tesztelését követelje meg.

Az Ön minél jobb kiszolgálása érdekében arra kérjük, hogy minden Ön által adott információ teljes legyen.

GYAKRAN ISMÉTELT KÉRDÉSEK, KÉZIKÖNYVEK ÉS ALKATRÉSZEK ÜGYÉBEN LÁTOGASSON EL WWW.BESTWAY-SERVICE.COM CÍMEN TALÁLHATÓ WEBOLDALUNKRA.

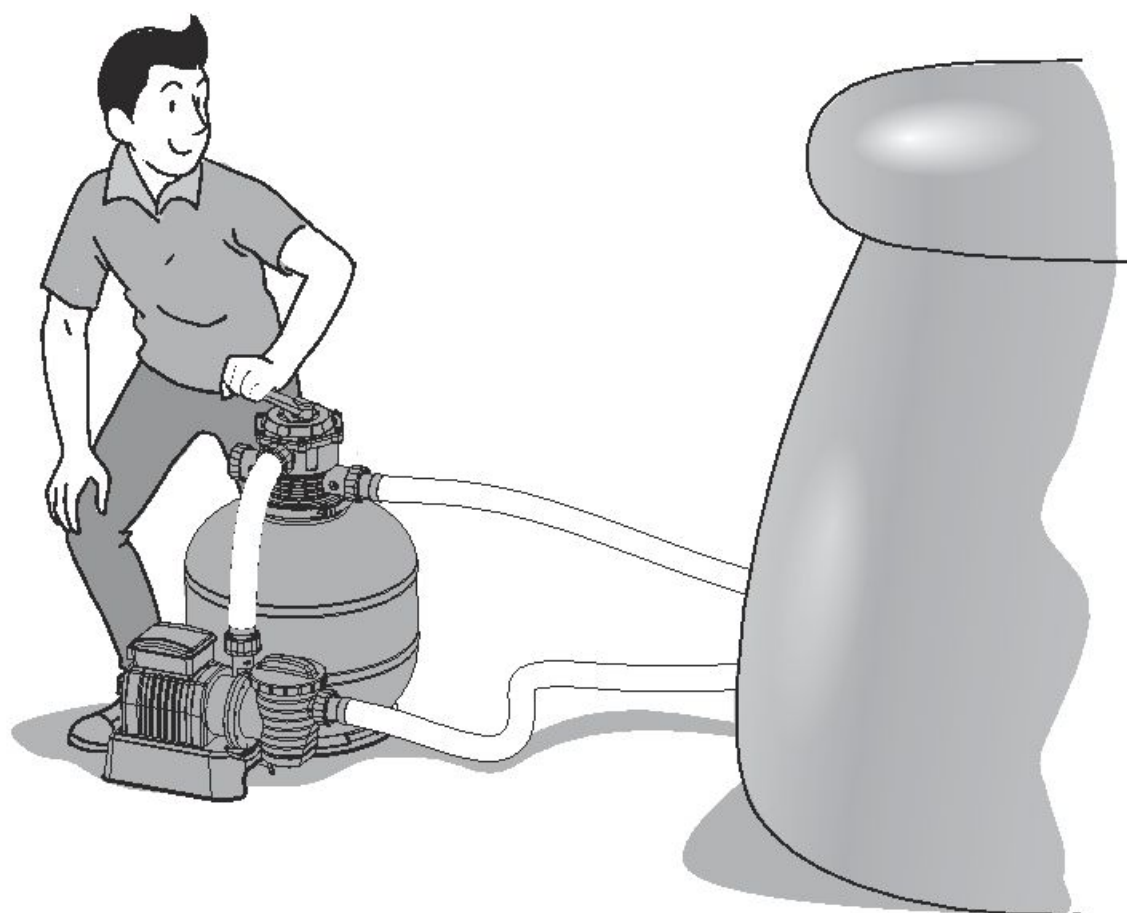
HA VIDEÓKRA KÍVÁNCSI, LÁTOGASSON EL YOUTUBE-OS BESTWAY-CSATORNÁNKRA:
<http://youtube.com/user/BestwayService>.

Bestway

Bestway.

#58366

Hmax 1.5m Hmin 0.19m IPX5



FLOWCLEAR™ SAND FILTER ÄGARMANUAL

www.bestway-global.com

www.bestway-service.com



VARNING

VIKTIGA SÄKERHETSANVISNINGAR LÄS OCH FÖLJ ALLA SÄKERHETSANVISNINGAR

Då du installerar och använder denna elektriska utrustning, ska du alltid följa grundläggande säkerhetsåtgärder, inklusive följande:

- Pumpen får sin strömförsörjning av en isoleradtransformator eller genom en jordfelsbrytare (RCD) som har en fastställd tillslagsström som inte överskrider 30 mA.
- Strömuttaget på byggnadens yttervägg bör vara mer än 4 m från poolen och på en höjd av minst 1,2 m.
- Apparaten måste förses med ström från en jordad strömkälla.
- **RISK FÖR ELEKTRISK STÖT** - Pumpen får inte användas medan någon är i poolen! Förbjud tillgång till poolen om sandfiltret inte fungerar.
- **BRÄNN INTE KABELN.** Placera kabeln så att den inte utsätts för gräsklippare, häcktrimmers och annan utrustning.
- För att minska risken för elektrisk stöt, byt omedelbart ut en skadad kabel
- Om strömkabeln är skadad, måste den ersättas av tillverkaren, dennes återförsäljare eller liknande kvalificerade personer för att undvika risk för fara.
- Förlängningssladdar kan inte användas.
- Risk för elektrisk stöt. Det är farligt att använda sandfiltret med en felaktig strömförsörjning och det leder till permanenta skador på sandfiltret.
- Ta inte bort jordningsstiftet och ändra inte kontakten på något sätt. Använd inte adapters. Konsultera en kvalificerad elektriker för eventuella frågor i samband med kontakter eller jordning.
- Hantera sandfiltret med omsorg. Dra eller bär inte sandfiltret genom att hålla i strömkabeln. Dra aldrig ut en kontakt ur uttaget genom att rycka i kabeln. Skydda kabeln mot avskavningar. Utsätt aldrig sandpumpen för vassa föremål, olja, rörliga delar eller värme.
- Koppla alltid bort denna product från eluttaget innan du avlägsnar, rengör, utför service eller reglerar apparaten.
- Koppla inte i eller ur apparaten med våta händer.
- Koppla alltid ur apparaten:
 - På regniga dagar
 - Innan rengöring eller annat underhåll
 - Om den lämnas obevakad under semestrar
- När apparaten ej används under en längre tid, såsom under vintern, ska poolsetet demonteras och förvaras inomhus.
- **Varning:** Läs instruktionerna innan apparaten tas i bruk och före varje installation/montering.
- Säker förvaring av instruktionerna. För återuppbyggnad av poolsetet, vänligen kontrollera instruktionerna varje gång.
- Om du saknar instruktionerna, vänligen kontakta Bestway eller leta upp den på hemsidan: www.bestway-service.com
- Elektriska anläggningar måste följa nationella anslutningsföreskrifter. Rådfråga en behörig elektriker om du har frågor.

FÖRSIKTIGT: Detta sandfilter ska endast användas för pooler som kan förvaras. Använd den inte för permanent installerade pooler. En pool som kan förvaras är konstruerad så att den kan demonteras lätt för förvaring och sedan återmonteras för användning. En permanent installerad pool är konstruerad på eller i marken eller i en byggnad där den inte lätt kan demonteras för förvaring.

- Denna apparat kan användas av barn från 8 års ålder och personer med nedsatt fysisk, sensorisk eller mental kapacitet eller brist på erfarenhet och kunskap om de är under uppsyn eller har instruerats gällande apparatens säkra användande och förstår farorna i samband med användandet. Barn bör inte leka med apparaten. Rengöring och underhåll skall inte göras av barn utan tillsyn. (För EU)
- Denna apparat är ej avsedd att användas av personer (däribland barn), med begränsad fysisk, mental eller sensorisk förmåga, eller bristande erfarenhet och kunskap, om inte denne har under uppsyn och instruktion om apparatens användning av en person som är ansvarig för dennes säkerhet. Barn bör hållas under uppsyn så de ej leker med apparaten. (För länder utanför EU)

- Rengöring och underhåll måste utföras av en vuxen, 18 år eller äldre, som är bekant med farorna med elektriska stötar.

OBS:

- Placera sandfiltret på ett statigt och jämnt underlag. Se till att sandfiltret är minst 2 meter från poolen. Håll avståndet så långt det är möjligt.
- Var noga med poolens och sandfiltrets placering så att en lämplig ventilation, tömning och åtkomst för rengöring finns tillgänglig. Placera aldrig sandfiltret på en plats där den kan samla vatten eller på en stig där många människor går.
- Kontakten ska vara tillgänglig efter poolens installation. Sandfiltrets kontakt ska vara på ett avstånd av minst 3,5m från poolen.
- Väderförhållanden kan påverka sandfiltrets prestanda och livslängd; vidta lämpliga åtgärder för att skydda sandfiltret mot onödigt slitage som kan uppstå under perioder av kyla eller varmt väder eller vid långvarig kontakt med solen.
- Undersök och kontrollera att alla sandfiltrets beståndsdelar finns närvarande före användning. Informera Bestway på kundserviceadressen som anges i bruksanvisningen om eventuella fabrikationsfel eller delar som saknades vid inköpstillfället.
- Det är viktigt att alla slitna delar byts ut så snart som möjligt. Använd endast delar som tillverkaren har godkänt.
- Låt inte barn eller vuxna luta sig eller sitta på apparaten.
- Tillsätt inte kemikalier i sandfiltret.
- Om kemiska produkter används för att rena poolens vatten, rekommenderar vi att följa den minimala filtreringstiden för att skydda badarnas hälsa enligt hälsoföreskrifterna.
- Bara det medium som tillhandahålls eller specificeras får användas med produktinstallationen.
- Det är nödvändigt att kontrollera att sugöppningarna inte är tilltäppta.
- Det är rekommenderat att stoppa filtreringen under underhållsarbeten på filtreringssystemet.
- Regelbundet kontrollera tilltäppningsnivån på filtret.
- En veckokontroll för backspolning eller rengöring rekommenderas. En minimal daglig filtreringstid på 8 timmar rekommenderas för att garantera rent poolvatten.
- Det är nödvändigt att byta skadat element eller skadade element så fort som möjligt. Använd bara delar som är godkända av den person som ansvarar för att släppa ut produkten på marknaden.
- Alla filter och filtermedium ska regelbundet inspekteras för att garantera att det inte finns någon uppbyggt slam som förhindrar bra filtrering. Avyttring av använt filtermedium ska ske i enlighet med tillämpliga regler/tillämplig lagstiftning.
- Iaktta alla säkerhetskrav och rekommendationer som beskrivs i manualen. Kontakta en kvalificerad installatör eller tillverkaren/importören/distributören om du är osäker på pumpen eller någon av cirkulationsanordningarna. Installationen av vattencirkulationen ska överensstämma med Europeiska och nationella/lokala bestämmelser, särskilt när det handlar om elektriska frågor. Ändringar på ventilens position, pumpens eller gallrets storlek kan orsaka ett förändrat flöde och sughastigheten kan ökas.
- Denna produkt är inte avsedd för kommersiellt bruk.

Läs bruksanvisningen noga och spara den för framtida bruk.

SPARA DESSA ANVISNINGAR

KASTA BORT PUMPEN



Förklaring av den överkorsade soptunnan med hjul:

Kasta inte bort elektriska apparater tillsammans med vanliga hushållssopor, utan använd anläggningar för källsortering.

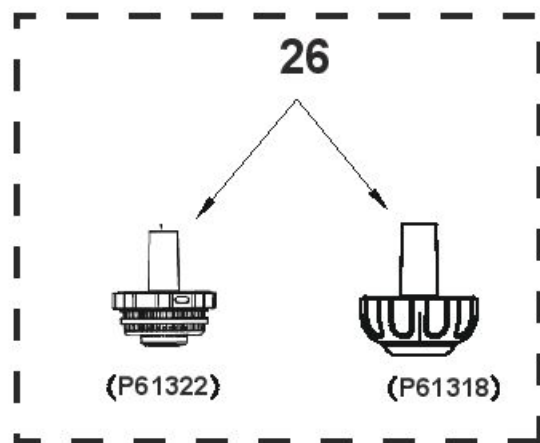
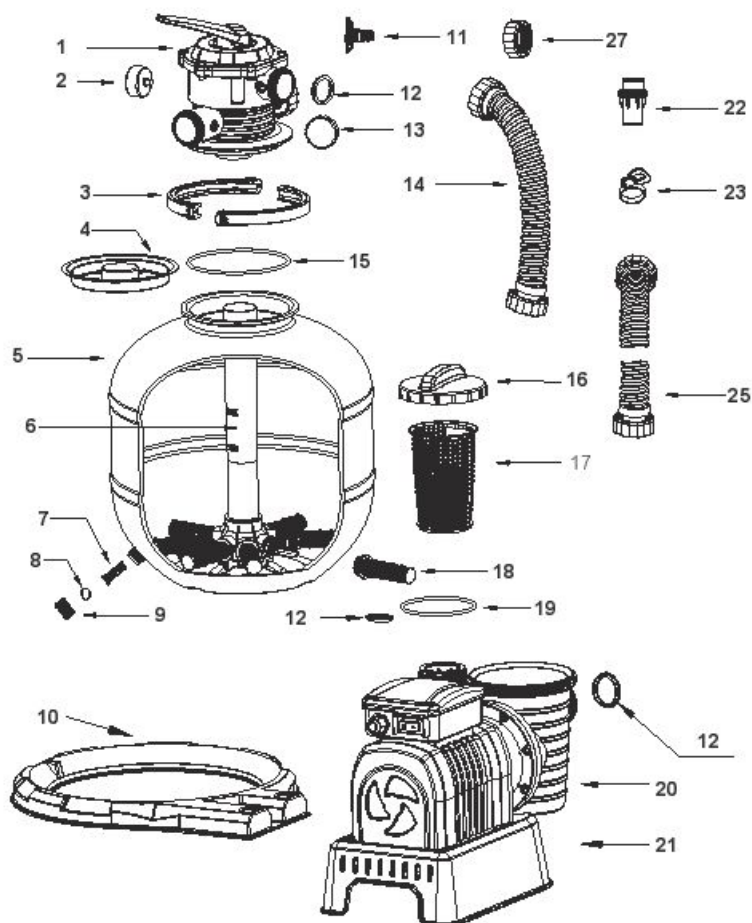
Kontakta dina lokala myndigheter för information om de insamlingssystem som finns tillgängliga.

Om du kastar bort elektriska apparater på soptimmar eller depåer, kan farliga ämnen läcka ned i grundvattnet och komma in i livsmedelskedjan, vilket kan skada din hälsa och välbefinnande.

När du ersätter gamla apparater med nya, är återförsäljaren skyldig att ta emot din gamla apparat för bortskaffning gratis.

REFERENSÖVERSIKT ÖVER DELARNA

Innan du monterar sandfiltret, ska du ägna några minuter åt att bekanta dig med sandfiltrets delar.

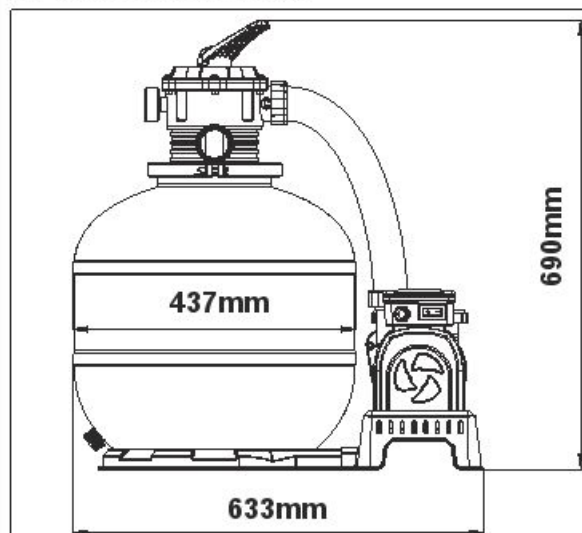


REF.NR.	BESKRIVNING	ANTAL	RESERVEDELSNR.
1	Reglerventil	1	P61204
2	Tryckmätare	1	P61138
3	Flänsklämma	2	P61205
4	Navskydd	1	P61209
5	Tank	1	P61213
6	Nav	1	P61206
7	Föroreningspatron	1	P61211
8	Dräneringsbricka	1	P6581
9	Ventilkåpa för dränering	1	P6580
10	Tankbas	1	P61212
11	Adapter för trädgårdsslang	1	P6614
12	Bricka	5	P6029
13	Port D--lock	1	P6540
14	Rörledning	1	P6560
15	O-ring	1	P61214
16	Filterskydd	1	P6561
17	Filter	1	P6562
18	Filterpatron	8	P61210
19	Tätningring	1	P6563
20	Pump	1	P61207
21	Pump (enbart för Storbritannien)	1	P61207GB
22	Adapter	2	P6916
23	Slangklämmor	2	P6124
27	Adapttermutter	1	P6615

Valfria delar

21	Slang (Φ38mm 3M)	2	P6028
25	Skräpfilter	1	P61322
	Skräpfilter	1	P61318

SPECIFICATIONS



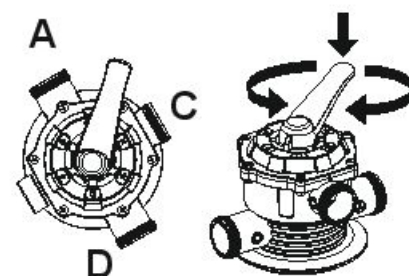
Filtrets diameter:	437mm
Faktiskt filterområde:	0.150m ² (1.61ft ²)
Max. driftstryck:	1.58Bar (23PSI)
Sandfiltrets driftstryck:	<0.56Bar (8PSI)
Max. vattentryck:	35°C
Sand:	Medföljer inte
Sandkornens storlek:	#20 kiseldioxidsand, 0,45-0,85mm
Sandkapacitet:	Cirka 35 kg

Översikt över kontrollventilen

WARNING: För att förhindra skador på utrustningen och möjliga personskador, ska du koppla bort sandfilterpumpen för att ändra kontrollventilens function varje gång. Att ändra ventilens lägen medan pumpen är igång kan leda till skador på kontrollventilen, som i sin tur kan leda till personskador eller materiella skador.







Att använda kontrollventilen

Tryck ned kontrollventilen och vrid till önskad function.



KONTROLLVENTILENS FUNKTIONER

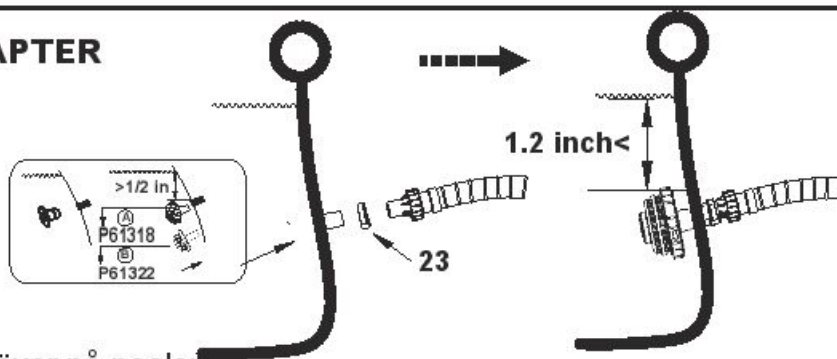
Kontrollventilen används för att välja 6 olika filterfunktioner: Filter, skölj, cirkulera, spolaj, stäng och töm.

-  **Filter:** Denna function används för att filtrera poolvattnet och ska användas i 99% av tiden. Vattnet pumpas genom sandfiltret där det renas och återsänds till poolen.
-  **Spolning:** Denna function används för att rengöra sandbädden; vatten pumpas ner genom anslutningshjulet, upp mot sandbädden och deponeras utanför D-porten.
-  **Skölj:** Denna function används för grundläggande start, rengöring och utslätning av sandbädden efter spolningen; vattnet pumpas ner genom sandbädden, upp genom anslutningshjulet och deponeras utanför D-portens ventil.
-  **Cirkulera:** Denna function gör så att poolvattnet cirkulerar genom att passera förbi sandfiltret. Använd denna funktion om filtret är trasigt för att samla skräp på skräpskärmen.
-  **Tömning:** Denna function tömmer vatten ur poolen; en annan inställning för att komma förbi filtret, och vattnet pumpas och deponeras utanför D-porten i stället för att återgå till poolen.
-  **Stängt:** Denna function stoppar vattenflödet mellan sandfiltret och poolen.

OBS:

- Försäkra dig om att alla regler för tömning av utsläppsvatten uppfyller tillämpbara lokala, statliga eller nationella lagar. Töm inte ut vatten om detta kan leda till översvämning eller skador.
- När kontrollventilen är inställd på spolning, sköljning eller tömning, töms vattnet ut ur D-porten på kontrollventilen.
- Anslut inte och använd inte sandfiltret med kontrollventilen ställd i Stängd funktion, annars skadas sandfiltret allvarigt.
- Ställ inte kontrollventilen mellan två funktioner, eftersom det leder till läckage.
- För att undvika vattenläckage, ska du skruva fast lock D på kontrollventilens port D innan du använder sandfiltret.

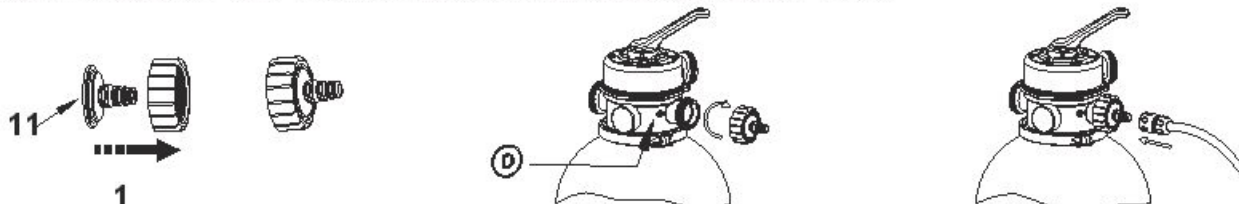
FUNKTIONER FÖR SLANGENS ADAPTER



Pool med ventiler(Φ3,2cm)

- 1) Anslut adaptern (22) till slangen.
- 2) Anslut slangarna till motsvarande bokstäver på poolen.
- 3) Anslut slangarna till sandfiltret genom att trycka på slanganslutningen på pumpöppningen. Skruva de gängade låsringarna i läge; se till att motsvarande bokstäver på båda sandfilterna matchar varandra (A till A, B till B).
- 4) Ta ut propparna ut poolens in- och utloppsventiler och sätt i skräpfiltren (26).
- 5) Med slangarna och skräpsilarna (26) i läge, spänn slangklämmorna (23).

FUNKTIONER FÖR TRÄDGÅRDSSLANGENS ADAPTER



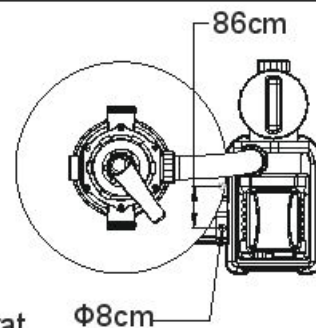
1. Sätt ihop trädgårdsslangens adapter (11).
2. Skruva på trädgårdsslangens adapter (11) på öppning D på sandfiltret.
3. Anslut trädgårdsslangen till trädgårdsslangens adapter (11).

OBS!

1. Trädgårdsslangens adapter (11) kan endast användas för uttömning och den kan endast sättas ihop med öppning D på sandfiltret.
2. Stäng alltid av eller koppla ur sandfiltret innan du sätter ihop trädgårdsslangens adapter (11) och sätt regleringsventilen på position avstängd.
3. Försäkra dig om att packningen är i rätt position innan du sätter ihop trädgårdsslangens adapter (11).

Avsnitt I: Montering (Du behöver en Philips skruvmejsel).

1. Ta försiktigt bort alla delar ur förpackningen och kontrollera att ingen del är skadad. Om utrustningen är skadad, ska du omedelbart informera återförsäljaren du köpte utrustningen från.
2. Sandfiltret ska placeras på ett stabilt och jämnt underlag, helst ett betongunderlag. Placera sandfiltret så att portar och kontrollventiler är tillgängliga för användning, service och vinterbehandling.
3. EN60335-2-41 TEST-standarderna kräver att sandfiltret är vertikalt installerat på marken eller på en piedestal av trä eller cement innan du använder det för att förhindra att sandfiltret plötsligt faller. Ett helt monterat sandfilter överskrider 18kg. Monteringshålen ska vara 8mm i diameter och vara på 86mm avstånd. Använd två muttrar med max. 8mm i diameter för att fästa sandfiltret vid piedestalen.

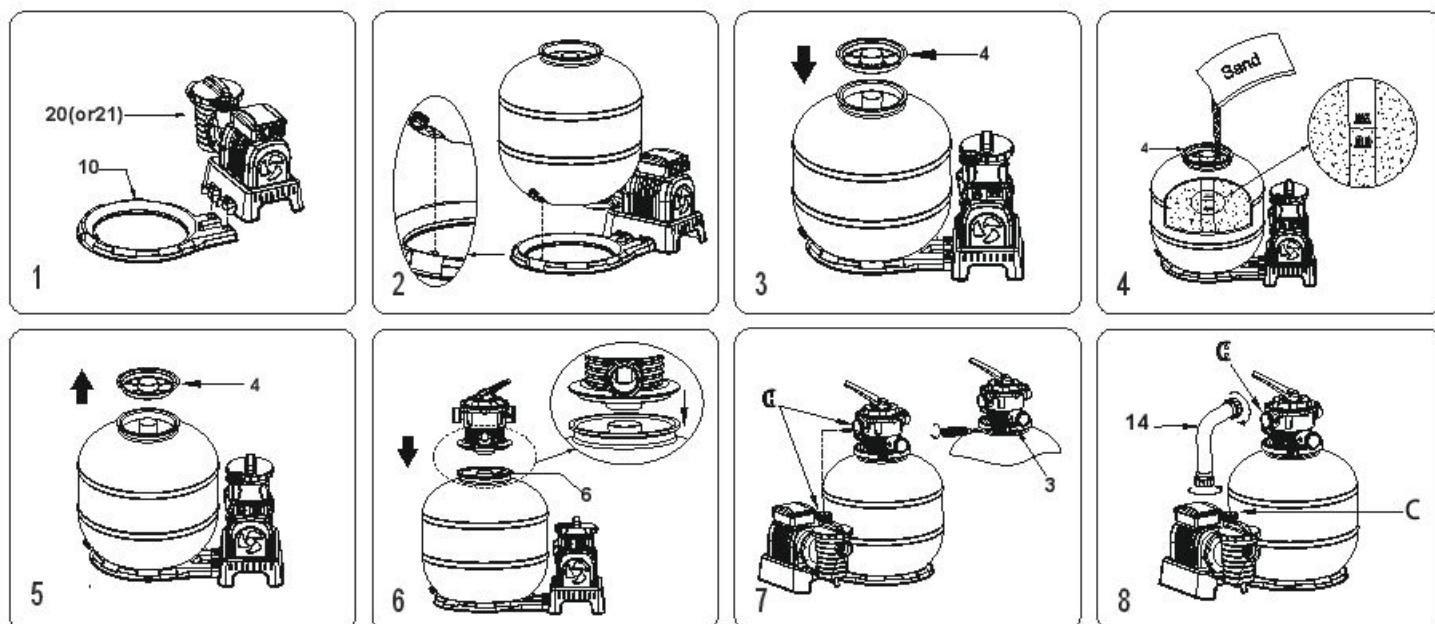


Ladda poolens filter med sand.

OBS: Använd endast speciell filtersand för pooler, utan kalksten eller lera: #20 Kiseldioxidsand 0,45-0,85mm, en 35kg påse bör räcka. Om du inte använder den rekommenderade filtersandstorleken kan filtreringsprestandan minska eller sandfiltret skadas och därigenom garantin upphävas.

OBS: För att undvika att skada skumningsenheten då du tillsätter sand, ska du hälla lite vatten i botten tanken för att sänka ned skumningsenheten på samlingsenhetens tandade hjul.

OBS: SAND MEDFÖLJER INTE.



1. Placera tankbasen på rätt plats och rikta positionshålet.
2. Placera tanken på korrekt plats på tankbasen.
3. Placera filterskyddet(4).
4. Lägg långsamt till sand så att vikten av sanden inte skadar skumjärnet på navet, tills det når mellan de markerade "MAX" och "MIN". #20 kvartssand 0,45-0,85mm, ca 35 kg.
5. Dra ut filterskyddet(4).
6. Sänk kontrollventilen sakta över tanken och se till att förbikopplingsröret som sticker fram under kontrollventilen är ordentligt fäst i navet,(6).
7. Tillse att öppning C på reglerventilen är i linje med öppning C på pumpen. Anslut toppflänsklämman(3) och skruva på plats.
8. Anslut rör(14) till pumpöppning C och till reglerventil öppning C, skruva den gängade låsringen i läge. Tillse att brickan är ordentligt i läge på båda sidor om rören(14).

Avsnitt II: Slangkonfiguration för spolning och sköljning

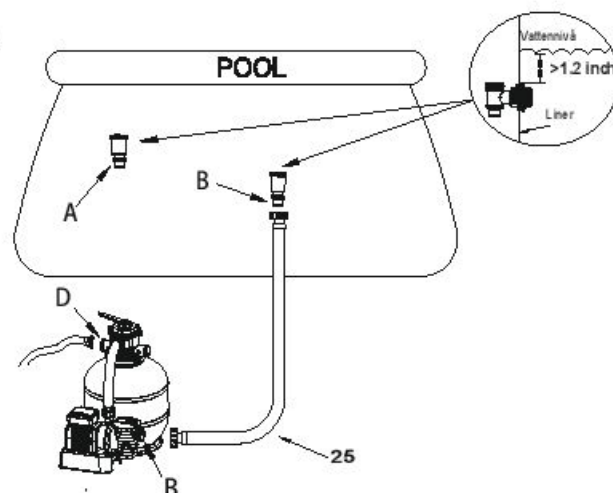
OBS: Se till att kontrollventilen är inställd på stängd funktion.

Fyll poolen med vatten, din pool bör vara fylld med vatten, se till att poolens bägge skräpskärmar är helt nedsänkta i vatten.

1. Fäst en slang (25) till sandfiltrets öppning B; skruva den gängade låsringen på plats.
2. Skruva den andra änden av slangen (25) till B öppningens ventil; skruva den gängade låsringen på plats.
3. Öppna kopplingsventilen.

OBS: Se bruksanvisningen till poolen för installationsanvisningar för anslutningsventilen.

4. Skruva fast den andra slangen i port D och placera motsatt ände i tömningsområdet.



Avsnitt III: Spolning och sköljning

Bakspolningen och sköljningen ska utföras för att förbereda pumpen för den första användningen och för att tvätta sanden.

FÖRSIKTIGT: TORRKÖR INTE SANDFILTRET

1. Tryck ned kontrollventilens handtag och vrid till spolningfunktionen.
2. Sätt i kontakten i ett jordat uttag, slå på sandfiltret och kör sandfiltret i 3-5 minuter eller tills vattnet är klart.
3. Koppla ifrån sandfiltret och ställ in kontrollventilen på sköljningsfunktionen.
4. Sätt i proppen och kör sandfiltret i 1 min. Detta gör att vattnet cirkulerar tillbaka genom sandfiltret och tömmer ut vatten ur port D.
5. Koppla bort sandfiltret. Ställ kontrollventilen i stängt läge.
6. Fyll på med poolvatten.

VIKTIGT: Denna procedur avlägsnar vatten ur poolen och du behöver därför fylla på vatten. Koppla omedelbart bort sandfiltret om vattennivån nära poolens intags- och utsläppsventiler är för låg.

TORRKÖR INTE SANDFILTRET.

Avsnitt IV: Fullständig installation av sandfiltret

Anslut den andra slangen

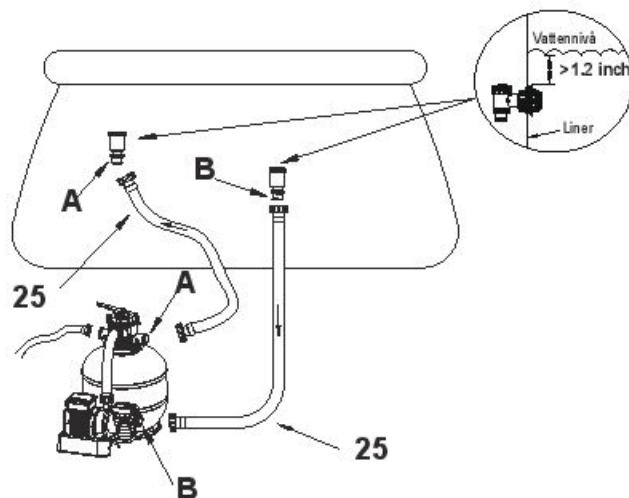
OBS: Det är viktigt att kontrollera att vattenslangarna inte är blockerade.

OBS: Se till att kontrollventilen är inställd på stängd funktion.

Montering

1. Koppla bort slangen (25) från port D.
2. Fäst en slang (25) vid sandfiltrets port B; skruva fast den gängade låsringen i rätt läge.
3. Anslut den andra änden av slangen (25) till poolens A-intag.
4. Öppna anslutningsventilen så att vattnet kan flöda till sandfiltret.

OBS: Se bruksanvisningen till poolen för installationsanvisningar för anslutningsventilen.



Avsnitt V:

Sandfiltrets funktion

1. Nu är sanden klar att användas. Ställ kontrollventilen i filterläget.

OBS: För att förhindra risken för elektrisk stöt, ska du torka bort alla vattenrester från dig själv och sandfiltret.

VIKTIGT: Innan användning, se till att tanken är stadigt placerad på basen och korrekt ansluten till pumpen.

2. Starta sandfiltret.

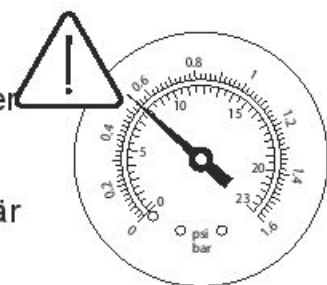
OBS: Sandfiltret har nu startat dess filtreringscykel. Kontrollera att vattnet kommer tillbaka till poolen och kontrollera filtertrycket på tryckmätaren. I allmänhet är det rekommenderade sandfiltertrycket under 0.56Bar (8.0PSI) då det används.



Sandfiltrets underhåll

FÖRSIKTIGT: Se till att sandfiltret är avstängt och urkopplat innan du påbörjar underhållsarbetet; i annat fall föreligger en allvarlig risk för skada eller dödsfall.

Då smuts lagras i sandfiltret, ökar tryckvärdet på tryckmätaren. Då tryckmätaren visar 0.56Bar (8.0PSI) eller mer eller då vattenflödet till poolen är för lågt, ska du rengöra sanden. Följ anvisningarna i **Avsnitt III för att rengöra sandbädden: Spolning och sköljning.**



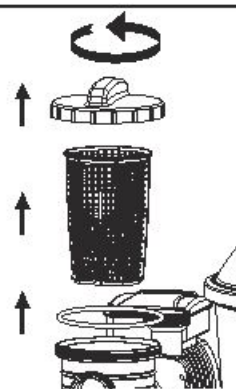
OBS:

1. Tryckmätaren är enbart till för underhåll och tryckmätarens värde är enbart för referens, det ska inte användas som ett precisionsinstrument.
2. Vi rekommenderar att du rengör sandfiltret en gång i månaden eller mindre regelbundet beroende på hur ofta poolen används. Rengör inte sanden för ofta.

Rengöring av filtret

1. Koppla ur filtret och ställ in styrventilen till stängt driftläge.
1. Sätt tillbaka skräpfilter och propparna för att förhindra att vattnet rinner ut.
3. Skruva loss filterskyddet och avlägsna det.
4. Ta ut filtret och rengör det.
5. Sätt tillbaka filtret på rätt plats. Kontrollera att hålen i filtret är i linje.
6. Se till att tätningsringen sitter rätt. Skruva fast filterskyddet igen.
7. Avlägsna propparna och sätt i skräpfiltren.

OBS: Filtret ska tömmas och rengöras regelbundet. Ett smutsigt eller blockerat filter försämrar sandfiltrets funktion.



Att sänka eller tömma poolvatten

1. Koppla ifrån sandfiltret och ställ in kontrollventilen på tömningsfunktionen.
2. Koppla bort slangen från poolens intag A och sandfilterts port A och fäst den vid port D.
3. Koppla in sandfiltret för att tömma poolvattnet.

VARNING: TORRKÖR INTE SANDFILTRET.

Vinterisering och långsiktig förvaring

I områden med mycket kalla vattentemperaturer, måste poolutrustningen vinterbehandlas för att få skydd mot skador. Om du låter vattnet frysa, skadas sandfiltret och garantin annulleras.

1. Spola sandfiltret som beskrivs ovan.
2. Töm poolen enligt anvisningarna i tillhörande ägarmanual.
3. Öppna muttern för avlopp i tankens botten för att tömma ut vattnet.
4. Koppla bort de två slangarna från poolen och sandfiltret.
5. Töm ut sanden helt ur tanken och torka alla delar.
6. Avlägsna sandfiltret från poolområdet, förvara sandfiltret på en torr inomhusplats, bortom barns räckvidd.

FELSÖKNING

Problem	Orsaker	Lösning
Flödar in i poolen	<ul style="list-style-type: none">- För lite sand- Ställ in kontrollventilen från backspolning till filterfunktionen utan att stoppa sandfiltret- Sandnivån är för hög- Avskummaren är trasig	<ul style="list-style-type: none">- Kvarssand på 0,45 mm till 0,85 mm rekommenderas- Stoppa sandfiltret varje gång för att ställa om kontrollventilen- Om sandnivån ligger mellan "MAX" och "MIN" på uppsamlingsnavet- Ersätt avskummaren
Vattenflöde	<ul style="list-style-type: none">- Stoppluggarna är inte urtagna- Kontrollventilen har inte satts i stängt läge- Silen är blockerad- Sandfiltret är trasigt	<ul style="list-style-type: none">- Ta ut stoppluggarna och sätt i skräpfiltert- Ställ in filterfunktionen- Rengör silen- Kontakta service
Filtertryck	<ul style="list-style-type: none">- Smutsigt filter- Förkalkad sandbotten- Otillräcklig backspolning- Tryckmätaren är trasig	<ul style="list-style-type: none">- Backspolning- Kontrollera sanden och byt ut den om nödvändigt- Backspola tills spolvattnet är klart- Ersätt tryckmätaren
Ventilläckage från port D	<ul style="list-style-type: none">- Kontrollventilen står inställd mellan två funktioner- Packningen är trasig	<ul style="list-style-type: none">- Ställ in en av funktionerna- Ersätt packningen
Läckor	<ul style="list-style-type: none">- Kopplingsbrickan är ej i läge- Kopplingsbrickan är trasig- Lös a slangar	<ul style="list-style-type: none">- Sätt brickan i rätt läge- Ersätt brickan- Dra åt dem

Tillverkaren BESTWAY® begränsade garanti

Produkten du har inhandlat kommer tillsammans med en begränsad garanti. Bestway® står bakom vår kvalitetsgaranti och försäkrar, genom en ersättningsgaranti, att din produkt ska vara utan tillverkningsdefekter som resulterar i läckage.

Följande villkor gäller enbart för länder i EU: den rättsliga regleringen i direktiv 1999/44/EC berörs ej av BESTWAYs garanti.

Garantins giltighet: 1 års garanti för poolvärmaren från inköpsdatum.

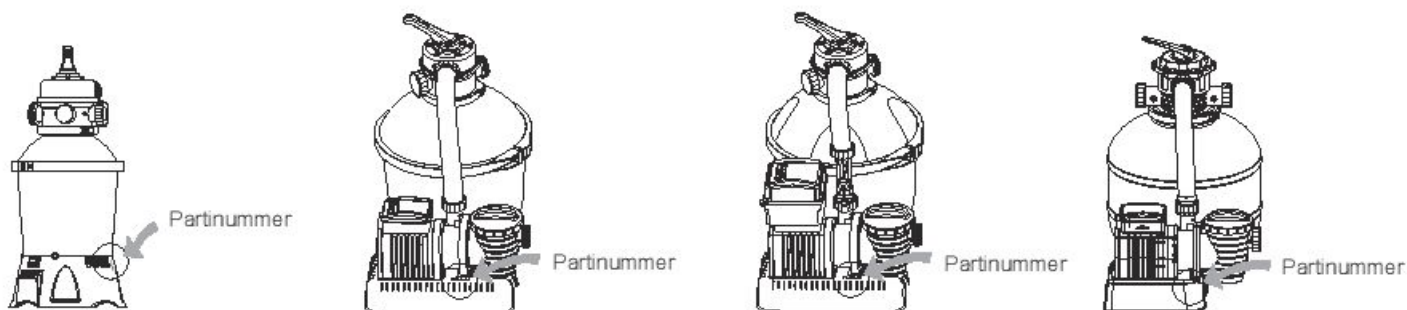
För att genomföra en garantifordran måste detta formulär fyllas i fullständigt och levereras till ditt lokala Bestway kundservicecenter med en kopia av ditt inköpskvitto. Var vänlig och ta kontakt med ditt lokala kundservicecenter innan du skickar iväg några dokument. De kommer att ge dig fullständiga instruktioner om vad som behövs för din fordran. Bestway® kommer inte att byta ut några produkter som anses ha blivit misskött eller som inte har använts i enlighet med riktlinjerna i ägarens bruksanvisning.

Bestways garanti täcker tillverkningsdefekter som upptäcks när produkten packas upp eller genom användning i enlighet med rekommendationer i användarens bruksanvisning. Garantin gäller endast för produkter som inte har ändrats av någon 3:e part. Produkten måste förvaras och hanteras i enlighet med de tekniska rekommendationerna.

Garantin täcker inte skador som har orsakats av felaktig användning, missbruk, försummelse, vilket inkluderar men inte begränsas till kollision, brand, användning av felaktigt volt, utsatts för överdriven värme, en icke korrekt installation, en icke korrekt elinstallation eller testning, olämplig förvaring.

Ersättningar och reparationer förlänger inte garantiperioden. Garantin är giltig från det datum som anges ovan och det datum som anses som start för garantin är endast det som anges på originalkvitto/fakturan.

Kopiera partinumret på sandfiltrets huvuddel.



Partinummer: _____ Inköpskvittots datum: _____

TILL: BESTWAY® AVDELNING FÖR KUNDSERVICE DATUM _____ Kundkodsnummer _____

FAX/E-MAIL/TEL: Var vänlig och ange ditt land i enlighet med den information som du hittar på omslagets baksida eller på vår hemsida: www.bestway-service.com

Var vänlig och fyll i hela din adress i detalj. OBS! Ofullständiga adressuppgifter resulterar i försenade försändelser.

Bestway reserverar sig för att ta betalt för återleveranser av icke levererbara paket där mottagaren har skuld.

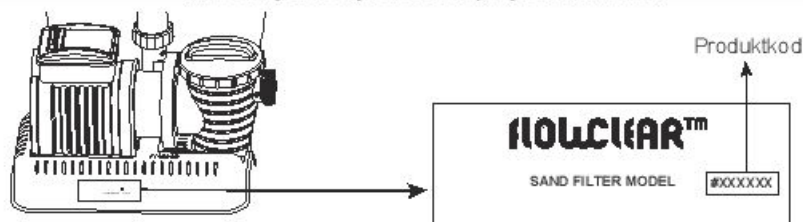
NÖDVÄNDIG INFORMATION – VAR VÄNLIG OCH SKRIV LEVERANSADRESSEN

Namn: _____ Adress: _____ Postnummer: _____

Land: _____ Stad: _____ Mobiltelefon: _____

Telefon: _____ Fax: _____ E-MAIL: _____

Återförsäljare: _____ Var vänlig och ange klart och tydligt artikelkoden: _____



Alla bilder är enbart som illustration. Ej skalenliga.

Beskrivning av problemet

- Vattenläckage
- Slutat att fungera
- Artikeln är ofullständig. Vilken del saknas – Var vänlig och fyll i koden som finns i användarens bruksanvisning. Annat, var vänlig och beskriv _____
- VIKTIGT: ENDAST DEN SKADADE DELEN KOMMER ATT ERSÄTTAS, INTE HELA UPPSÄTTNINGEN.** _____

VIKTIGT: ENDAST DEN SKADADE DELEN KOMMER ATT ERSÄTTAS, INTE HELA UPPSÄTTNINGEN.

Bestway reserverar sig för rätten att kräva fotografiskt bevis av defekta delar, eller att kräva att artiklarna skickas iväg för ytterligare testning. För att kunna bistå dig på bästa sätt, vill vi att all information du skickar in är fullständig.

FÖR FAQ, MANUALER, FILMER OCH RESERVDELAR, BESÖK VÅR HEMSIDA WWW.BESTWAY-SERVICE.COM
FILMER FINNS ÄVEN TILLGÄNGLIGA PÅ VÅR BESTWAY-KANAL PÅ YOUTUBE:
<http://youtube.com/user/BestwayService>.

Bestway



Authorized Service Centers
Centres de Service Après-vente Agrées
Autorisierte Kundendienstzentren
Centri di Assistenza Autorizzati
Geautoriseerde Servicecentra
Centros de Asistencia Técnica autorizados
Autoriserede Servicecentre
Centros de Assistência Autorizados
ΕΞΟΥΣΙΟΔΟΤΗΜΕΝΑ ΚΕΝΤΡΑ
ΕΞΥΠΗΡΕΤΗΣΗΣ
Авторизованные Сервисные Центры
Autorizovaná Servisní Střediska
Autoriserte Servicecentre
Auktoriserade Servicecenter

Valtuutetut Palvelukeskukset
Autorizované Servisné Strediská
Autoryzowane Centra Serwisowe
Hivatalos Szervizközpontok
Pilnvaroti Pakalpojuma Centri
Įgaliotieji Aptarnavimo Centrai
Pooblašćeni Serviserji
Yetkili Hizmet Merkezleri
Centre de Service Autorizate
Оторизирани Сервизни Центрове
Ovlašćeni Servisni Centri
Volitatud Hoolduskeskused
Autorizovani Servisni Centri

Albania
Phone: (+355) 682003429
Fax: (+386) 056621203
E-mail: servis@bestway.si

Argentina
Phone: (+54) 1159843871
E-mail:
argentina@bestway-southamerica.com

Australia
Phone: (+61) 290371388
Fax: (+61) 297379423
E-mail:
aftersales@bestway-australia.com

Austria
Phone: (+43) 720882434
Fax: (+43) 720882435
E-mail: austria@bestway-service.com

Belgium
Phone: 0 800 20 132
Fax: (+32) 026104411
E-mail:
belgiumservice@bestway-europe.com

Bosnia
Phone: (+387) 039670935
Fax: (+386) 056621203
E-mail: servis@bestway.si

Brazil
Phone: 0800 001 8400
E-mail: sac@bestway-brazil.com

Bulgaria
Phone: (+359) 879012892
Fax: (+359) 29250232
E-mail: bulgaria@bestway-service.com

Canada
Phone: 1 855 838 3888
Fax: 1 480 838 1888
E-mail:
info@bestway-northamerica.com

Chile
Phone: (+56) 2232036438
E-mail:
postventa@bestway-southamerica.com

Colombia
Phone: (+57) 13441717
E-mail:
colombia@bestway-southamerica.com

Croatia
Phone: (+385) 0997930168
Fax: (+386) 056621203
E-mail: servis@bestway.si

Cyprus
Phone: (+357) 22 426803
(+357) 22 423824
Fax: (+357) 22 495137
E-mail: cyprus@bestway-service.com

Czech Republic
Phone: (+420) 0387020573
E-mail:
pomocservis@bestway-service.com

Denmark
Phone: (+45) 33321019
Fax: (+45) 33321036
E-mail: denmark@bestway-service.com

Finland
Phone: (+358) 504104403
E-mail: finland@bestway-service.com

France
Phone: 0892707709 (0,34 TTC/MINUTE)
Fax: (+33) 0489069991
E-mail: sav@bestway-france.com

Germany
Phone: (+49) 6946001281
Fax: (+49) 6946001282
E-mail:
kundendienst@bestway-europe.com

Greece
Phone: 00 800 391.275.300
Fax: (+39) 0291390361
E-mail: ipostirixis@bestway-service.com

Hungary
Phone: (+36) 0640204624
E-mail: hungary@bestway-service.com

Iceland
Phone: (+46) 8 506 691 90
Fax: (+46) 506 690 99
E-mail: sweden@bestway-service.com

Ireland
Phone: 8006120457
Fax: (+44) 01626835736
E-mail: aftersales@bestway-uk.com

Italy
Phone: (+39) 0236265839
Fax: (+39) 0291390361
E-mail:
assistenza@bestway-europe.com

Macedonia
Phone: (+389) 032386235
Fax: (+386) 056621203
E-mail: servis@bestway.si

Malta
Phone: (+356) 27438201/21499101
Fax: (+356) 21496206
E-mail: info@model-toys.com

Mexico
Phone: (+52) 5541693920
Fax: (+52) 8183463416
E-mail: info@bestway-mexico.mx

Moldova
Phone: (+373) 68535552
E-mail: Moldova@bestway-service.com

Netherlands
Phone: 8002378929
Fax: (+31) 887878969
E-mail:
dutchservice@bestway-europe.com

New Zealand
Phone: 0800 142 101
E-mail:
aftersales@bestway-australia.com

Norway
Phone: (+47) 22650122
Fax: (+47) 22721127
E-mail: norway@bestway-service.com

Peru
Phone: (+51) 17089795
E-mail:
peru@bestway-southamerica.com

Poland
Phone: (+48) 327505320 / 322326040
Fax: (+48) 327505330
E-mail: servis@bestway-service.com

Portugal
Phone: (+351) 707506692
Fax: (+34) 902602705
E-mail: sac@bestwayiberica.com

Romania
Phone: (+40) 212525354 / 213362858
Fax: (+40) 212525353 / 213362854
E-mail:
suportclienti@bestway-service.com

Russia (Россия)
Phone: +7 (495) 978-90-88
E-mail: info@bestway-service.ru

Serbia and Montenegro
Phone: (+381) 0656644962
(+386) 056621206
Fax: (+386) 056621203
E-mail: servis@bestway.si

Slovak Republic
Phone: (+421) 0415078833
Fax: (+421) 0415078808
E-mail:
pomocservis@bestway-service.com

Slovenia
Phone: (+386) 056621206
Fax: (+386) 056621203
E-mail: servis@bestway.si

South Africa
Phone: (+27)-21-5771401
Toll-Free: 0800 224 881
Fax: (+27)-21-5774400
E-mail: sales@seagullindustries.co.za

Spain
Phone: (+34) 902351045
Fax: (+34) 902602705
E-mail: sac@bestwayiberica.com

Sweden
Phone: (+46) 8 506 691 90
Fax: (+46) 506 690 99
E-mail: sweden@bestway-service.com

Switzerland
Phone: (+41)(0)719290000
Fax: (+41)(0)719290090
E-mail:
switzerland@bestway-service.com

Turkey
Phone: (+90) 02126444600
Fax: (+90) 02125550224
E-mail:
teknikservis@bestway-service.com
bestway@feyzaticaret.com

Ukraine
Phone: (+38) 0577597227
(+38) 0677033206
E-mail:
service@bestway-ukraine.com.ua

United Kingdom
Phone: 08455760116
Fax: (+44) 01626835736
E-mail: aftersales@bestway-uk.com

USA
Phone: 1 855 838 3888
Fax: 1 480 838 1888
E-mail:
info@bestway-northamerica.com